



ORTRONICS

125 EUGENE O'NEILL DRIVE
NEW LONDON, CT 06320
TEL: 860-445-3800
FAX: 860-405-2990

TITLE

SERIES II QUAD & 2 MODULE SMB KITS
OR-4040S22X2U & OR-404S21X1U

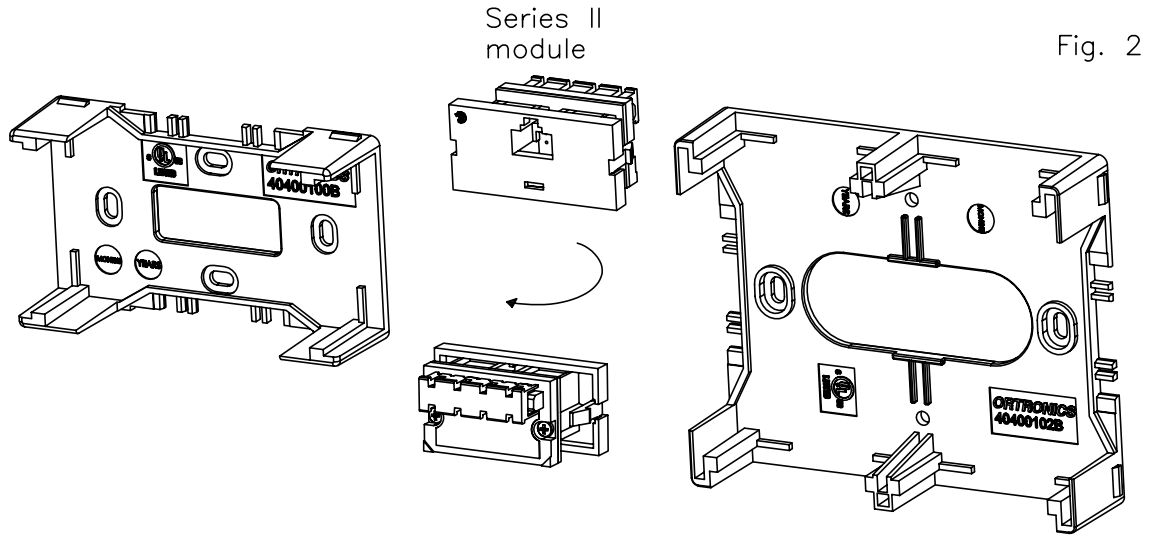


Fig. 2

Bring cables into base thru raceway openings, or thru opening in center of the base.

SERIES II TERMINATION:

Refer to Series II module instruction sheet (71601234) for complete cable termination instructions.

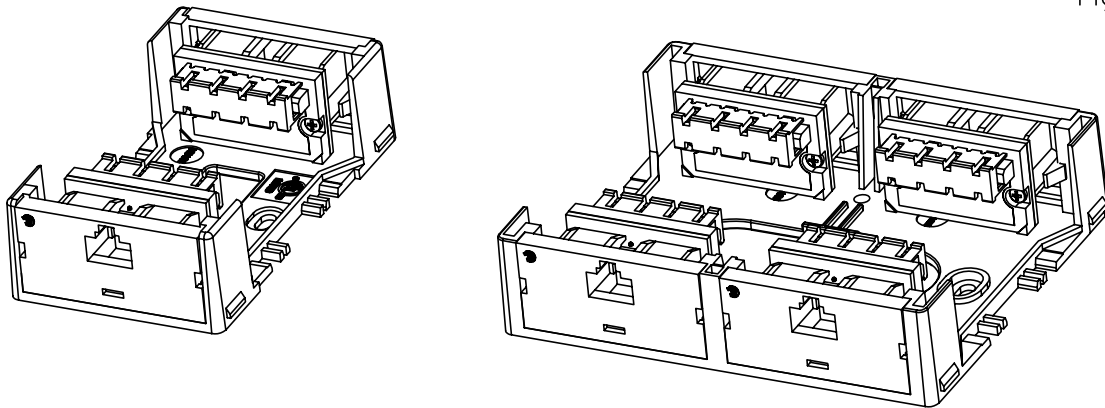


Fig. 3

To remove the cover, release latches by applying pressure to the lower corners,

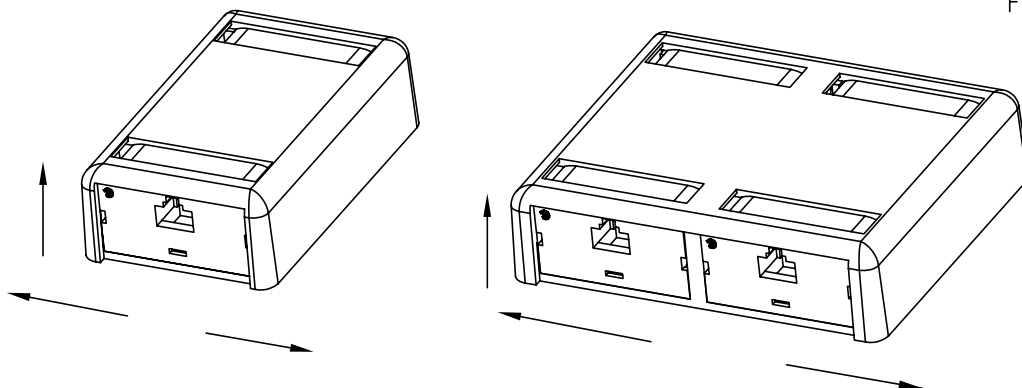


Fig. 4

INSTRUCTION SHEET # 71601498	REV. 01	ECN # 03602	SHEET 2 of 2	DWN.BY: C. COLLELO	DATE 09/28/07	CHK.BY: S.A.L.	DATE 09/28/07	APP.BY: M.E.M.	DATE 09/28/07
---------------------------------	------------	----------------	-----------------	-----------------------	------------------	-------------------	------------------	-------------------	------------------