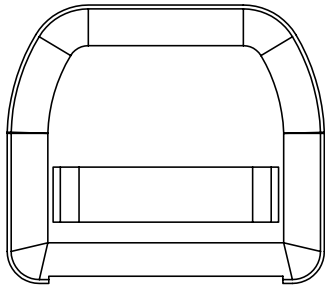
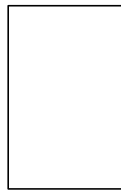


**ORTRONICS**125 EUGENE O'NEILL DRIVE
NEW LONDON, CT 06320
TEL: 860-445-3800
FAX: 860-405-2990

TITLE

Series II 1 PORT SMB KITS
OR-404S21U

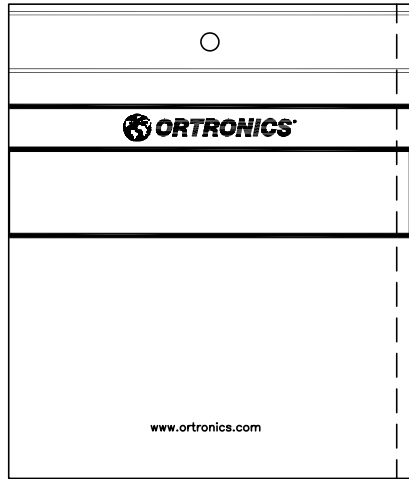
COVER



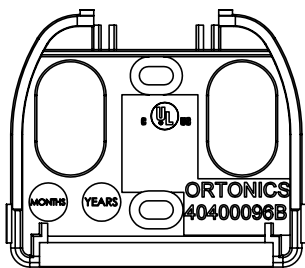
DOUBLE BACK ADHESIVE



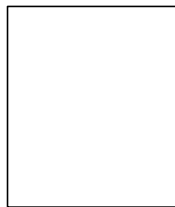
#6 SCREW



OR-404S21U



BASE



INSTR SHEET 1 PORT SII SMB



PAPER STRIP

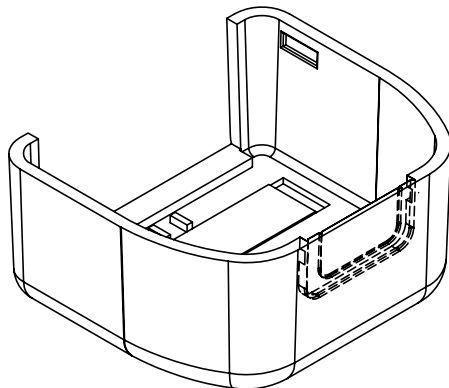
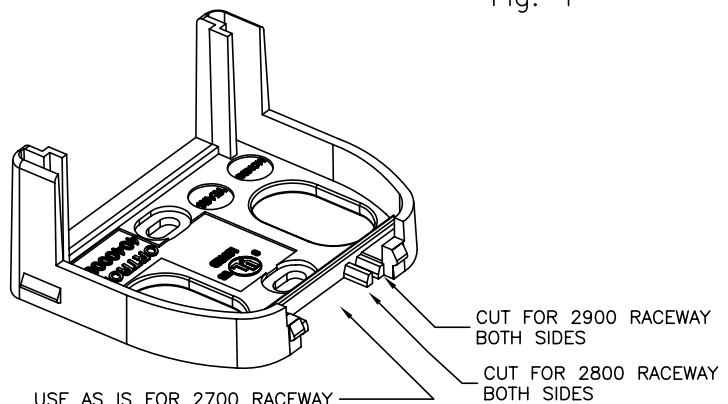


DESIGNATION COVER

| QTY | DESCRIPTION |
|-----|------------------------------|
| 1 | SMB COVER 1 PORT SERIES II |
| 1 | BASE, 1 PORT SMB SERIES II |
| 1 | PAPER STRIP |
| 1 | DESIGNATION COVER |
| 2 | SCREW #6, PAN HEAD |
| 1 | DOUBLE BACK ADHESIVE, 1"X 2" |
| 1 | BAG 3" X 7" ORTRONICS LOGO |
| 1 | INSTR SHEET 1 PORT SII SMB |

MOUNTING INSTRUCTIONS: The 404S21U box can be fastened to the wall using the #6 X 3/4" screws. If the Wiremold 2700, 2800, 2900 raceway is being utilized (you need to cut the alignment guides on the base of the box.) (fig 1) Cutout corresponding knockouts in cover 404S21U.

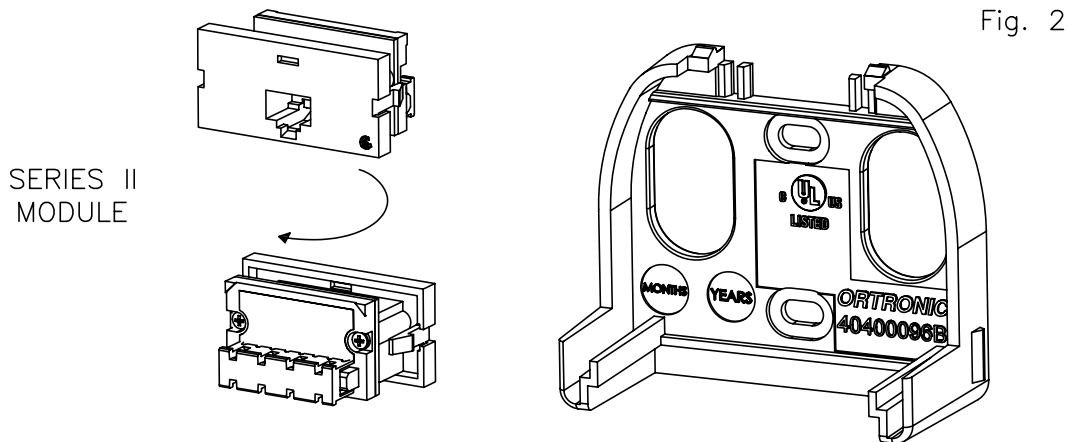
Fig. 1

CUTOUT CORRESPONDING KNOCKOUTS
IN COVER 404S21U

USE AS IS FOR 2700 RACEWAY

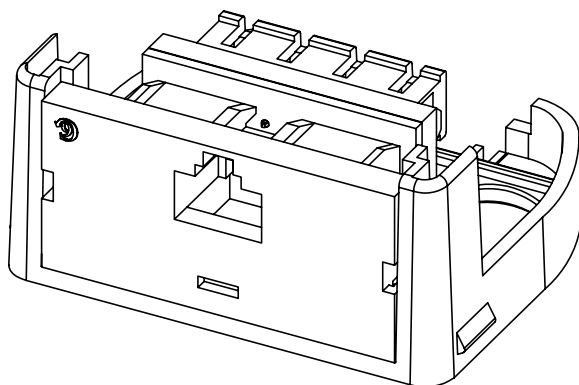
CUT FOR 2900 RACEWAY
BOTH SIDESCUT FOR 2800 RACEWAY
BOTH SIDES

| | | | | | | | | | |
|---------------------|------|-------|--------|------------|----------|---------|----------|---------|----------|
| INSTRUCTION SHEET # | REV. | ECN # | SHEET | DWN.BY: | DATE | CHK.BY: | DATE | APP.BY: | DATE |
| 71601499 | 00 | | 1 of 2 | L.FIGUEROA | 05/30/07 | C.A.C. | 09/07/07 | M.E.M. | 09/07/07 |



Bring cables into base thru raceway openings, or thru opening in center of base.

SERIES II TERMINATION:
 Place Series II module in the jack holder located in the base facedown.
 Refer to Series II module instruction sheet (71601234) for complete cable termination instructions.



To remove the cover, release latches by applying pressure to the lower corners,

