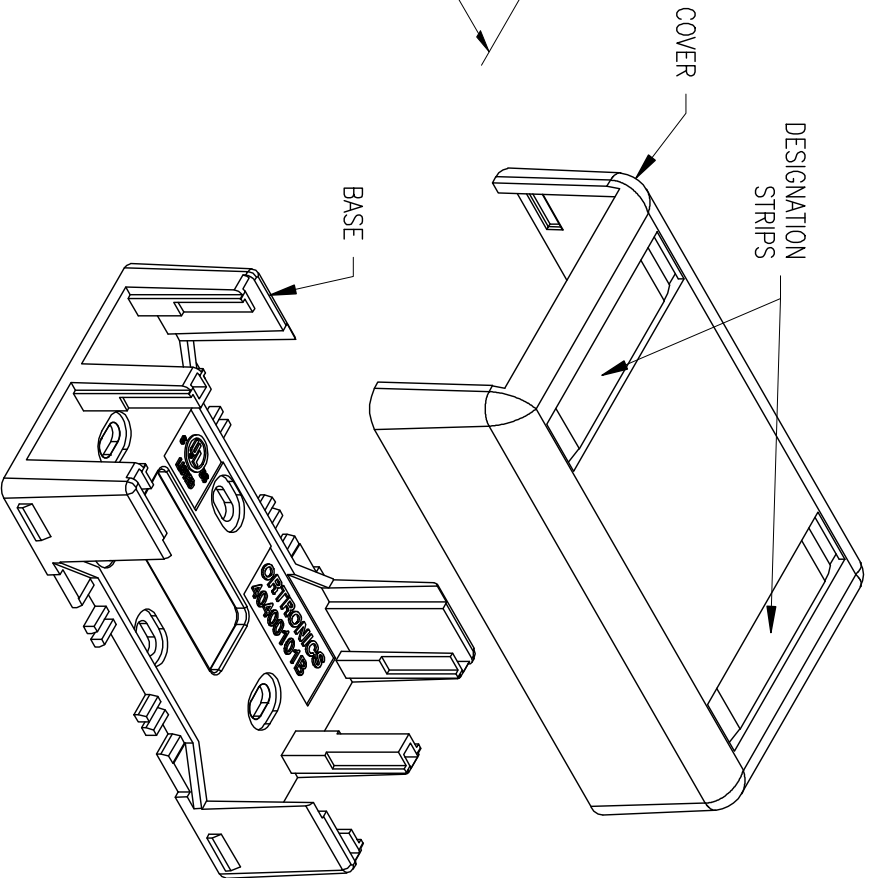


PART NO.	COLOR
404TJ2X2	FOG WHITE
*404TJ2X2-00	BLACK
*404TJ2X2-13	IVORY



NOTE: IF * NEXT TO PART NUMBER, MINIMUM QUANTITIES REQUIRED.
CONTACT YOUR CUSTOMER SERVICE REPRESENTATIVE (CSR)

*** NOTICE ***

THIS DOCUMENT CONTAINS CONFIDENTIAL AND/OR PROPRIETARY INFORMATION INTENDED FOR USE ONLY BY THE INDIVIDUAL(S) SPECIFIED HEREIN AND ONLY FOR THE PURPOSE(S) PROVIDED. NEITHER THIS DOCUMENT, NOR ANY INFORMATION CONTAINED HEREIN, MAY BE COPIED, DISTRIBUTED, DISCLOSED TO ANY THIRD PARTY OR USED IN ANY MANNER OTHER THAN FOR WHICH IT HAS BEEN PROVIDED, WITHOUT THE PRIOR WRITTEN CONSENT OF ORTRONICS, INC.



NEW LONDON, CT 06320
(860) 445-3800

DRAWN BY: W. DIETZ DATE: 10/22/07

CHECK BY: C.A. COLLELO DATE: 10/29/07

APP BY: M. MARTICH DATE: 10/29/07

TITLE
TRACJACK, 4 MODULE
SURFACE MOUNT BOX

SIZE: A CAD FILE: 404TJ2X2XXC PART NUMBER: OR-404TJ2X2-XX REV: 01

SCALE: NONE REL DATE: 03/23/09 SHEET: 1 OF 1