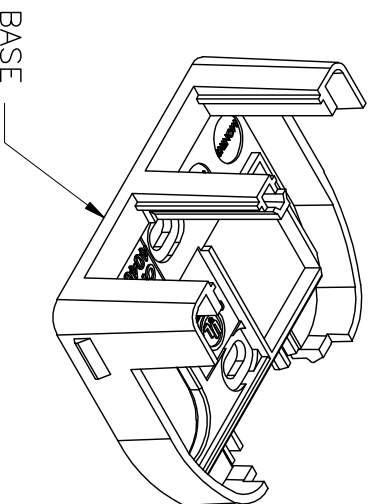
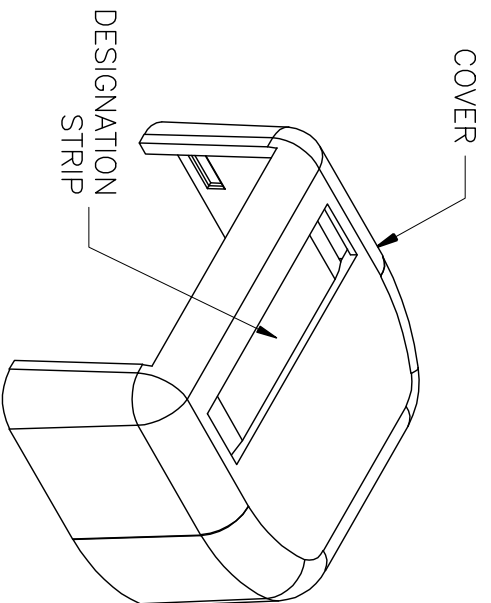


PART NO.	COLOR
404TJ2	FOG WHITE
*404TJ2-13	IVORY
*404TJ2-33	LT ALMOND
*404TJ2-88	CLOUD WHITE

NOTE: IF \* NEXT TO PART NUMBER, MINIMUM QUANTITIES REQUIRED.  
 CONTACT YOUR CUSTOMER SERVICE REPRESENTATIVE (CSR)



\*\*\* NOTICE \*\*\*

THIS DOCUMENT CONTAINS CONFIDENTIAL AND/OR PROPRIETARY INFORMATION INTENDED FOR USE ONLY BY THE INDIVIDUAL(S) SPECIFIED HEREIN AND ONLY FOR THE PURPOSE(S) PROVIDED. NEITHER THIS DOCUMENT, NOR ANY INFORMATION CONTAINED HEREIN, MAY BE COPIED, DISTRIBUTED, DISCLOSED TO ANY THIRD PARTY OR USED IN ANY MANNER OTHER THAN FOR WHICH IT HAS BEEN PROVIDED, WITHOUT THE PRIOR WRITTEN CONSENT OF ORTRONICS, INC.



NEW LONDON, CT 06320  
 (860) 445-3800

DWN.BY: W. DIETZ DATE: 10/22/07

CHK.BY: C.A.COLLELO DATE: 10/29/07

APP.BY: M. MARTICH DATE: 10/29/07

TITLE TRACJACK SMB 2 PORT

SIZE CAD FILE PART NUMBER REV

A 404TJ2XXC 0R-404TJ2-XX 01

SCALE NONE REL DATE 03/17/09 SHEET 1 OF 1