

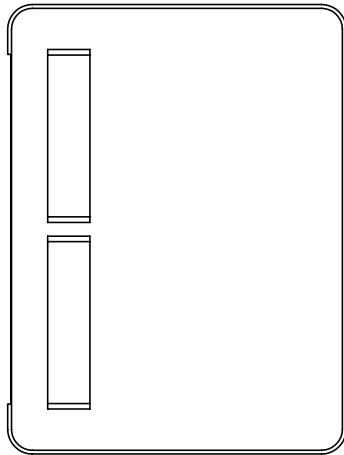


ORTRONICS

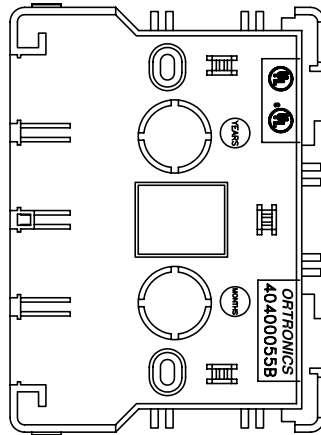
125 EUGENE O'NEILL DRIVE
NEW LONDON, CT 06320
TEL: 860-445-3800
FAX: 860-405-2990

TITLE

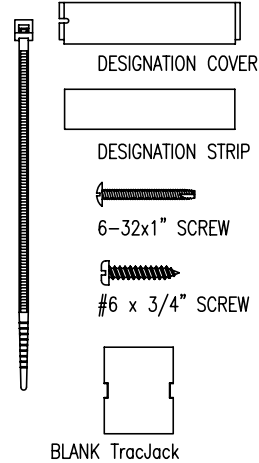
TracJack SMB 4 PORT & 6 PORT
OR-40400055 & OR-40400056



COVER



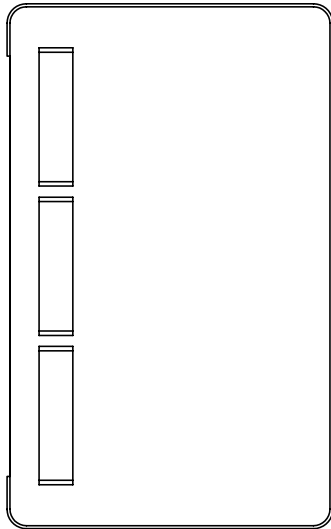
BASE



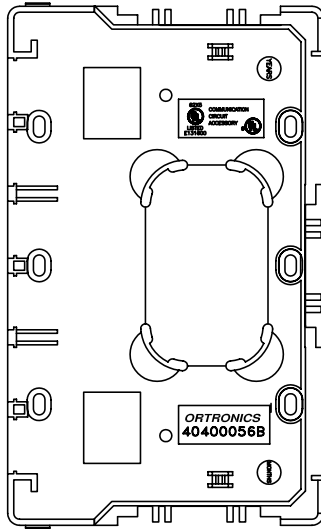
OR-40400055

Kit Includes:
1 COVER
1 BASE
2 DES. COVER
2 DES. STRIP
1 BLANK
1 TIEWRAP
2 SCREWS 6-32 x1"
2 SCREWS #6 x 3/4"

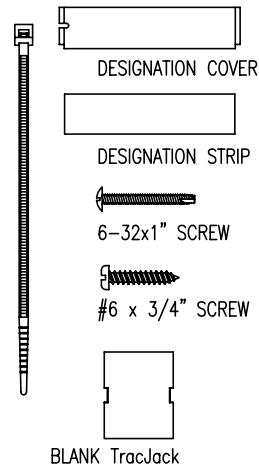
BOX DIMENSIONS:
1.14" H x 4.78" W x 3.60" D
28.9mm x 121.4mm x 91.4mm



COVER



BASE

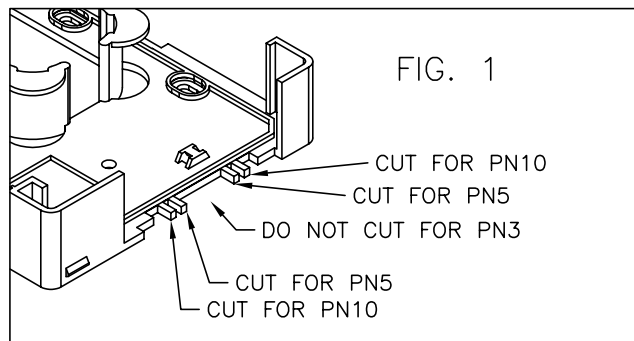


OR-40400056

Kit Includes:
1 COVER
1 BASE
3 DES. COVER
3 DES. STRIP
2 BLANKS
1 TIEWRAP
4 SCREWS 6-32 x1"
4 SCREWS #6 x 3/4"

BOX DIMENSIONS:
1.14" H x 6.98" W x 4.33" D
28.9mm x 177.2mm x 110.0mm

MOUNTING INSTRUCTIONS: The 40400056 box can be mounted directly to a recessed single or dual gang electrical box using the two or four 6-32 x 1" screws, or fastened to the wall using the #6 X 3/4" screws. The 40400055 box can be mounted directly to a single gang electrical box or fastened to the wall using same screws as 40400056 box. For both boxes if the Wiremold Eclipse PN5, PN10 is being utilized (you need to cut the alignment guides on the base of the box.) (fig 1) *Caution: If the Wiremold Eclipse PN3 is being installed do not cut the alignment guides.



INSTRUCTION SHEET #	REV.	ECN #	SHEET	DWN.BY:	DATE	CHK.BY:	DATE	APP.BY:	DATE
71600233	01	02932	1 of 2	LEVESQUE	05/02/05	J. LUCY	05/03/05	MEM	05/04/05

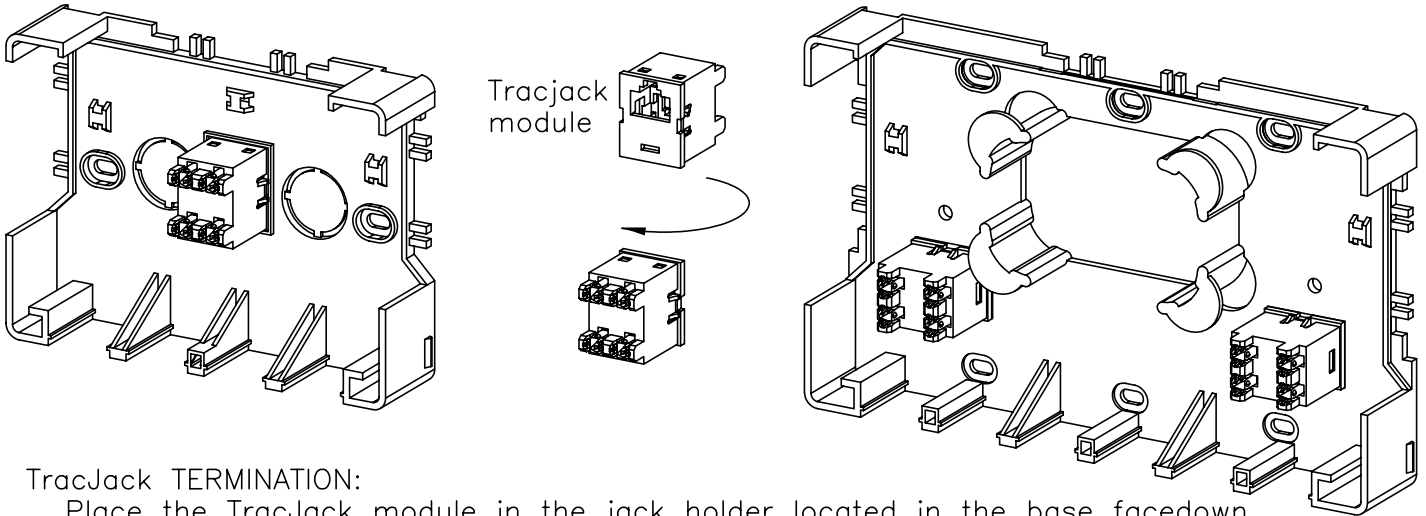


ORTRONICS

125 EUGENE O'NEILL DRIVE
NEW LONDON, CT 06320
TEL: 860-445-3800
FAX: 860-405-2990

TITLE

TracJack SMB 4 PORT & 6 PORT
OR-40400055 & OR-40400056

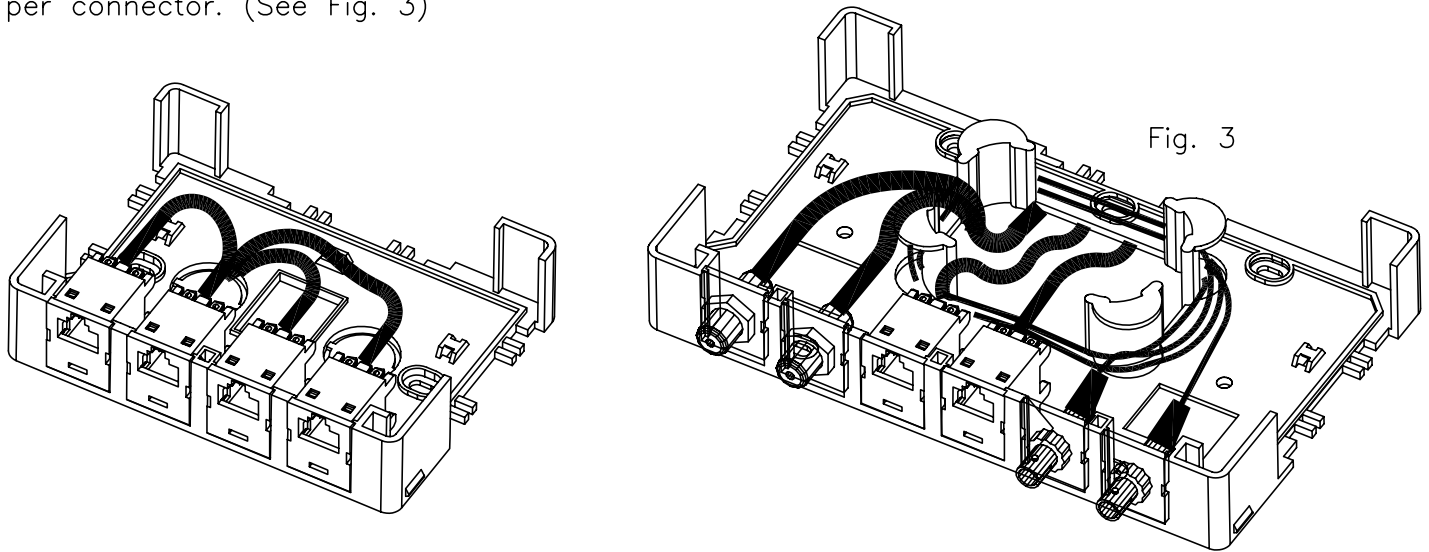


TracJack TERMINATION:

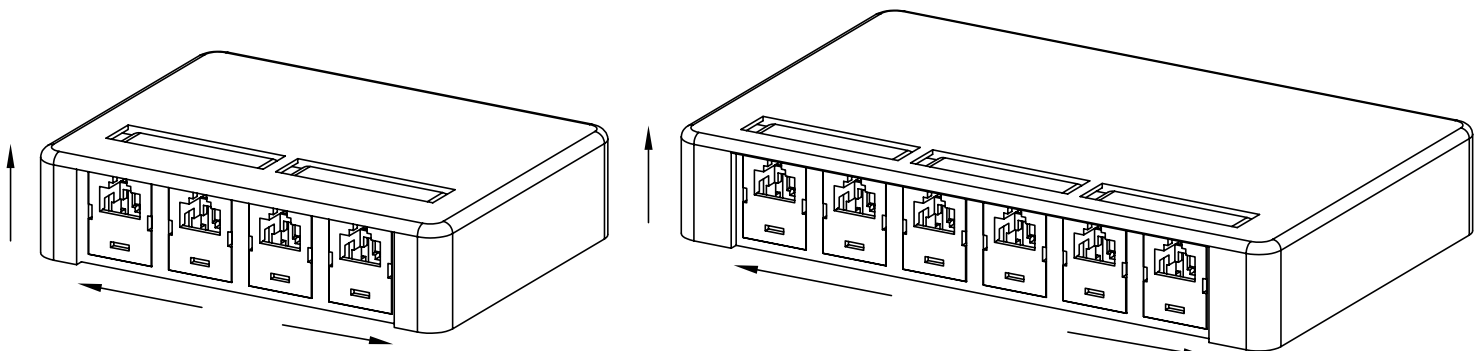
Place the TracJack module in the jack holder located in the base facedown. Refer to TracJack module instruction sheet (71600208) for complete cable termination instructions.

FIBER TERMINATION: (use 6 port box)

Ortronics recommends using the outside position on the box for fiber when installing Fiber and Copper together. Terminate the fiber cable as recommended by the connector manufacturers specifications. After connector termination, carefully route the Fiber around the ring to maintain the pertinent bend radius. The box will support 1 meter of storage per connector. (See Fig. 3)



To remove the cover, release latches by applying pressure to the lower corners, lift the cover upward while the latches are released. (See diagrams below)



INSTRUCTION SHEET #	REV.	ECN #	SHEET	DWN.BY:	DATE	CHK.BY:	DATE	APP.BY:	DATE
71600233	01	02932	2 of 2	LEVESQUE	05/02/05	J. LUCY	05/03/05	MEM	05/04/05