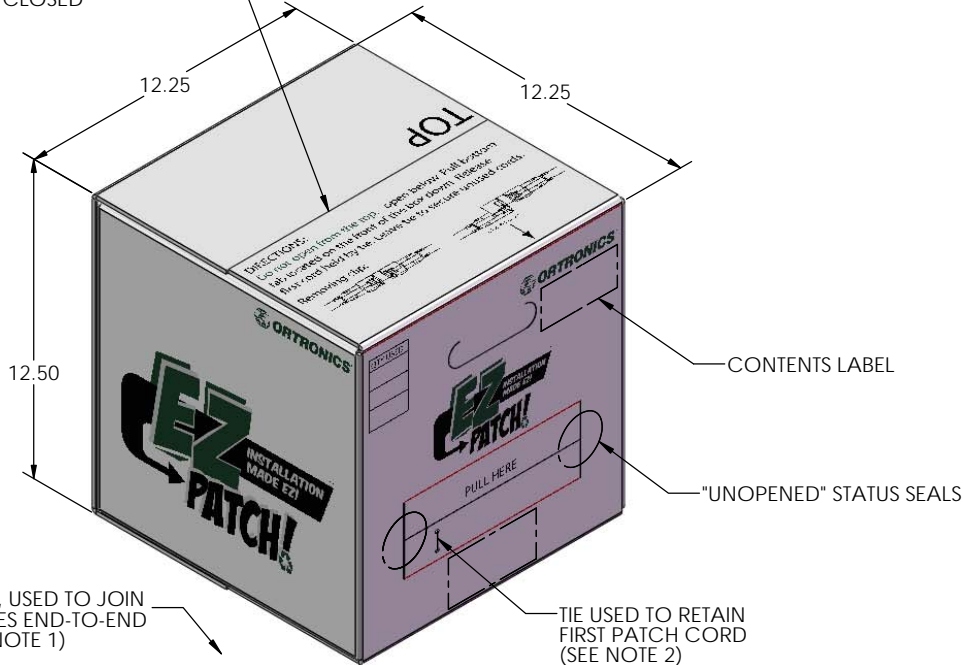


- NOTES: UNLESS OTHERWISE SPECIFIED
1. THE PACKAGED ASSEMBLY CONSISTS OF 50 CLARITY "MC610XX-YY" PATCH CORDS COUPLED END-TO-END, USING LINK SHOWN.
  2. THE FIRST CABLE ASSEMBLY SHALL BE SECURED TO INSIDE BOX SURFACE, AT LOCATION SHOWN. TIE PROVIDED MAY BE RETAINED FOR FUTURE USE.
  3. ALL DIMENSIONS ARE IN INCHES.

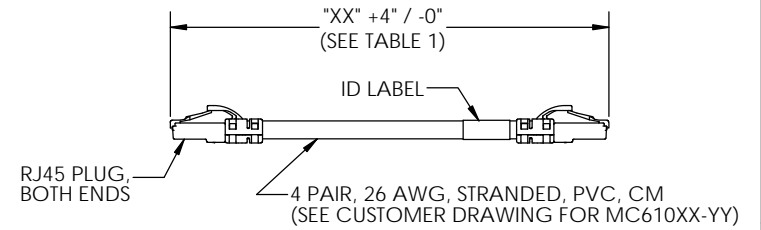
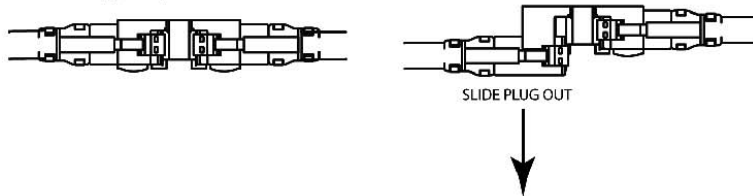
TOP AND BOTTOM COVERS SEALED CLOSED



"LINK", USED TO JOIN CABLES END-TO-END (SEE NOTE 1)

TIE USED TO RETAIN FIRST PATCH CORD (SEE NOTE 2)

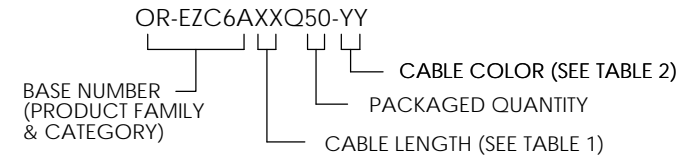
Removing clip:



"XX"	AVAILABLE LENGTHS
03	3 FEET
05	5 FEET

"-YY"	COLOR
05*	GREEN
06	BLUE

\* NOT AVAILABLE IN 3 FOOT LENGTH



**PART NUMBER LEGEND**

<p>*** NOTICE *** THIS DOCUMENT CONTAINS CONFIDENTIAL AND/OR PROPRIETARY INFORMATION INTENDED FOR USE ONLY BY THE INDIVIDUAL(S) PROVIDED. NEITHER THIS DOCUMENT, NOR ANY INFORMATION CONTAINED HEREIN, MAY BE COPIED, DISTRIBUTED, DISCLOSED TO ANY THIRD PARTY OR USED IN ANY MANNER OTHER THAN FOR WHICH IT HAS BEEN PROVIDED, WITHOUT THE PRIOR WRITTEN CONSENT OF ORTRONICS, INC. MANUFACTURING RELEASE. PRODUCT SPECIFICATIONS AND STANDARDS ARE SUBJECT TO CHANGE WITHOUT NOTICE.</p>			<p><b>ORTRONICS</b> 125 EUGENE O'NEILL DRIVE NEW LONDON, CT 06320 TEL: 860-445-3800 FAX: 860-405-2990 WWW.ORTRONICS.COM</p>			
<p>TITLE <b>EZ PATCH PAYOUT BOX, WITH 50 CLARITY MC610 CATEGORY 6A PATCH CORDS</b></p>						
DWN	RYNASKI	2/10/12	SIZE B	CAD FILE EZC6AXXQ50YYC	DWG NO OR-EZC6AXXQ50-YY	REV 04
CHK	GL/CAC	02/13/12	SCALE 1:8	WEIGHT	SHEET 1 OF 1	
APPR	W. DETZ	02/13/12				