

4

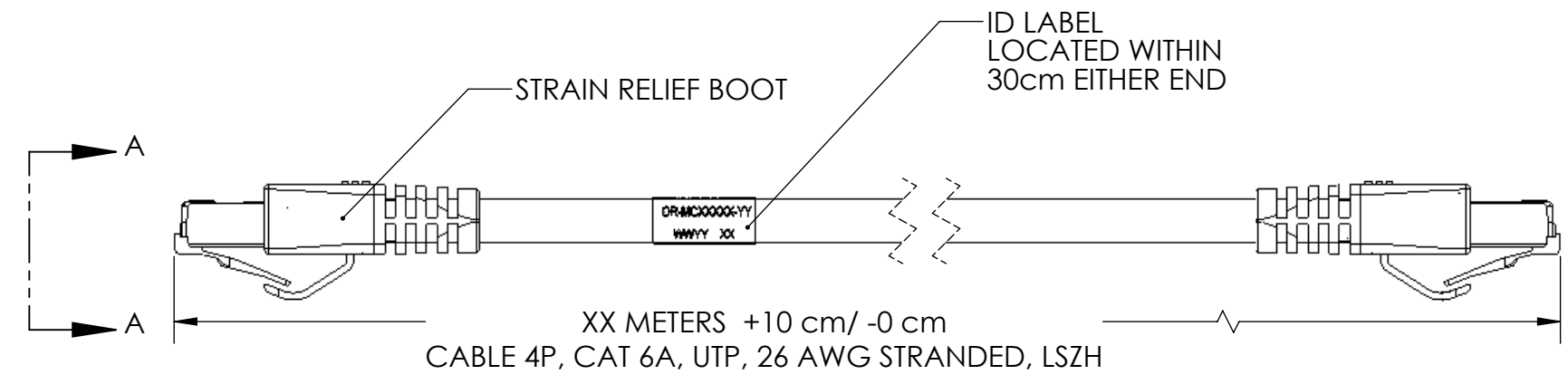
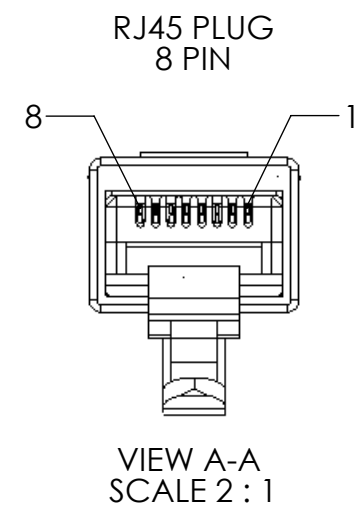
3

2

1

D

D



C

C

B

B

A

A

WIRE MAP			
WIRE COLOR	8P8C PIN #	8P8C PIN #	568B PAIRING
WHT/BLU	5	5	1
BLU	4	4	
WHT/ORG	1	1	2
ORG	2	2	
WHT/GRN	3	3	3
GRN	6	6	
WHT/BRN	7	7	4
BRN	8	8	

NOTE: XX=LENGTH IN METERS	
PART NO.	LENGTH (m)
MCZ610XXM-YY	
MCZ61010M-YY	1.0
MCZ61020M-YY	2.0
MCZ61030M-YY	3.0
MCZ61040M-YY	4.0
MCZ61050M-YY	5.0
MCZ61060M-YY	6.0
MCZ61070M-YY	7.0
MCZ61080M-YY	8.0

NOTE: YY=JACKET COLOR	
-YY	COLOR
-06	BLUE
-09	WHITE

<p>*** NOTICE *** THIS DOCUMENT CONTAINS CONFIDENTIAL AND/OR PROPRIETARY INFORMATION INTENDED FOR USE ONLY BY THE INDIVIDUAL(S) PROVIDED. NEITHER THIS DOCUMENT, NOR ANY INFORMATION CONTAINED HEREIN, MAY BE COPIED, DISTRIBUTED, DISCLOSED TO ANY THIRD PARTY OR USED IN ANY MANNER OTHER THAN FOR WHICH IT HAS BEEN PROVIDED, WITHOUT THE PRIOR WRITTEN CONSENT OF ORTRONICS, INC. MANUFACTURING RELEASE. PRODUCT SPECIFICATIONS AND STANDARDS ARE SUBJECT TO CHANGE WITHOUT NOTICE.</p>					<p>125 EUGENE O'NEILL DRIVE NEW LONDON, CT 06320 TEL: 860-445-3800 FAX: 860-405-2990 WWW.ORTRONICS.COM</p>			
TITLE						CORD, MOD, CAT 6A, 4P, 26 AWG STRANDED, UTP, LSZH		
NAME	DATE	SIZE	CAD FILE	DWG NO	REV			
DWN KC	4/18/2013	B	MCZ610XXMYC	OR-MCZ610XXM-YY	01			
CHK FR	1/7/2013	SCALE 1:1		WEIGHT		SHEET 1 OF 1		
APPR AM	1/7/2013							

4

3

2

1