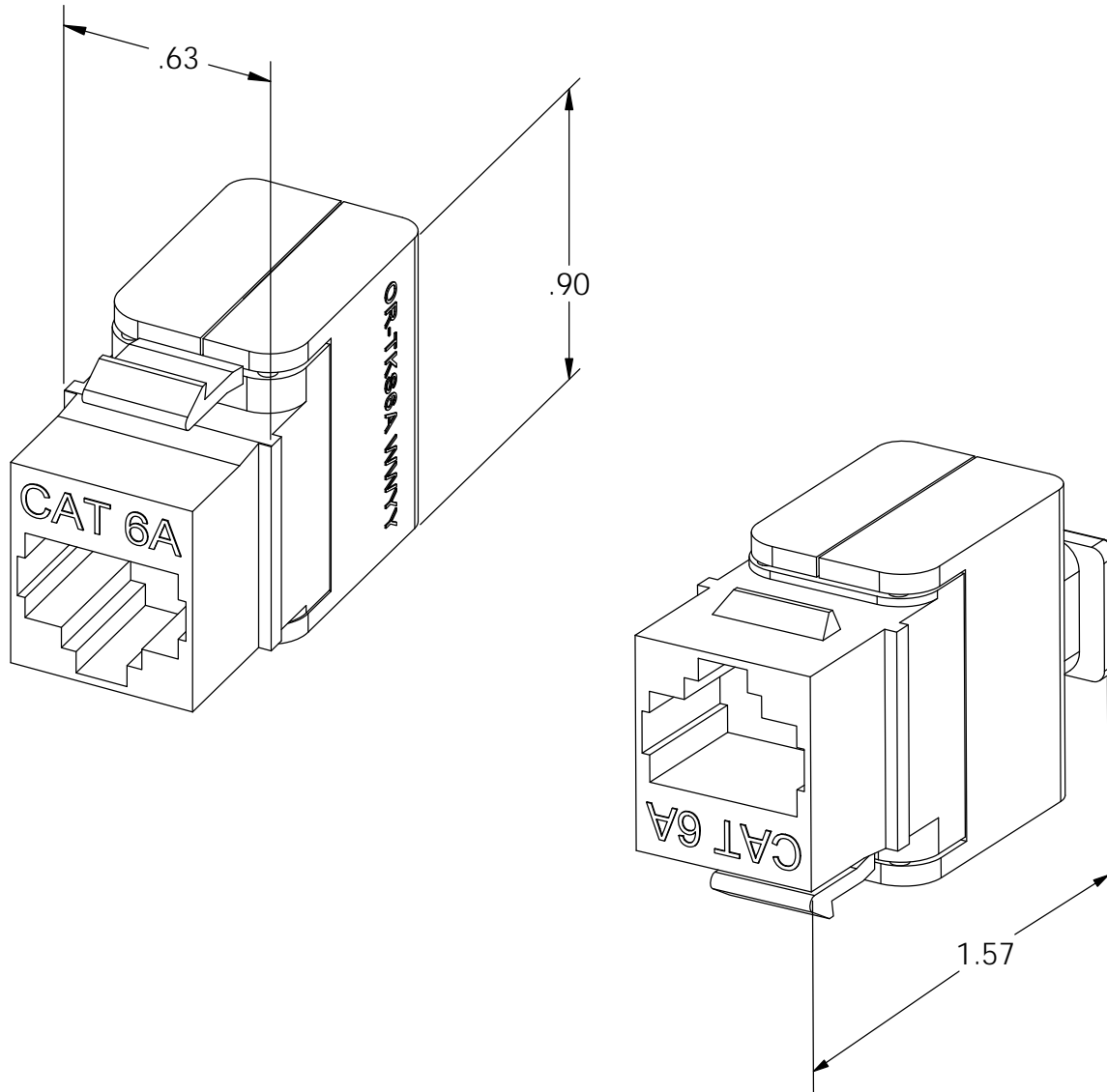


REVISIONS

ECN#	ZONE	REV	DESCRIPTION	REV BY	CHK BY	DATE
------	------	-----	-------------	--------	--------	------



UNLESS OTHERWISE STATED:  
DIMENSIONS ARE IN INCHES

TOLERANCES:  
FRACTIONAL ±  
ANGULAR: MACH ± 1° BEND ± 1°  
ONE PLACE DECIMAL ±  
TWO PLACE DECIMAL ± .02  
THREE PLACE DECIMAL ± .010

MATERIAL

FINISH

\*\*\* NOTICE \*\*\*  
THIS DOCUMENT CONTAINS  
CONFIDENTIAL AND/OR PROPRIETARY  
INFORMATION INTENDED FOR USE ONLY  
BY THE INDIVIDUAL(S) PROVIDED.  
NEITHER THIS DOCUMENT, NOR ANY  
INFORMATION CONTAINED HEREIN, MAY  
BE COPIED, DISTRIBUTED, DISCLOSED TO  
ANY THIRD PARTY OR USED IN ANY  
MANNER OTHER THAN FOR WHICH IT HAS  
BEEN PROVIDED, WITHOUT THE PRIOR  
WRITTEN CONSENT OF ORTRONICS, INC.

 **ORTRONICS®**

125 EUGENE O'NEILL DRIVE  
NEW LONDON, CT 06320  
TEL: 860-445-3800  
FAX: 860-405-2990  
WWW.ORTRONICS.COM

TITLE		TOOLLESS KEYSTONE JACK SHIELDED CAT 6A 8P8C 568A/B			
SIZE A	CAD FILE TKS6AC	DWG NO OR-TKS6A	REV 01		
SCALE 2:1		SHEET 1 OF 1			

	NAME	DATE
DWN	M.J.M.	09/08/09
CHK	C.A.COLLELO	09/09/09
APPR	W.DIETZ	09/09/09