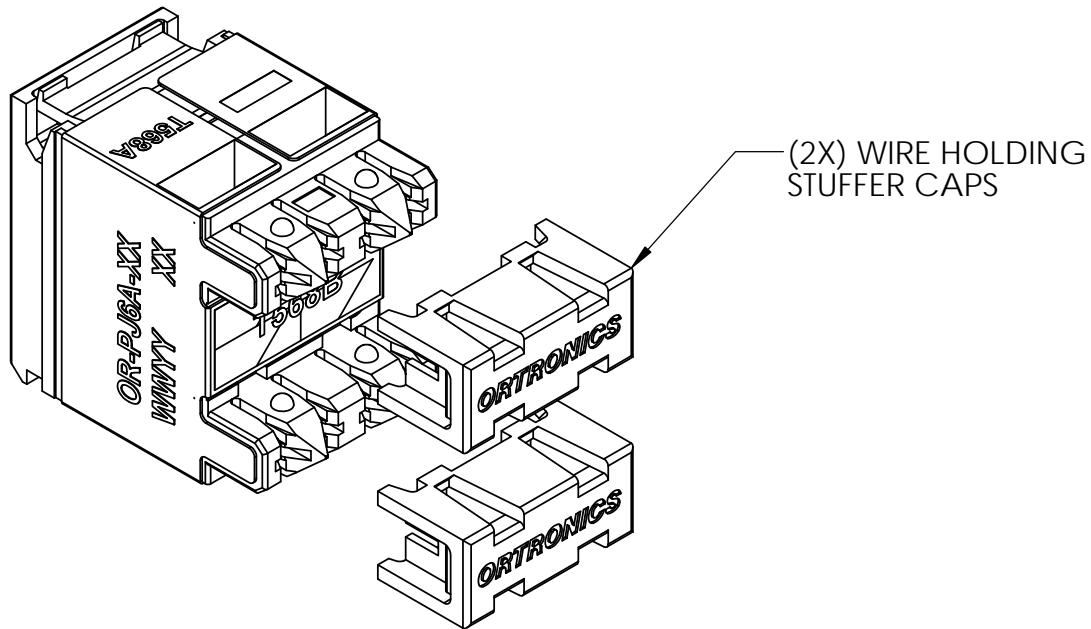


DIMENSIONS IN INCHES


PART NO.	COLOR
PJ6A-00	BLACK
PJ6A-36	BLUE
PJ6A-42	RED
PJ6A-43	ORANGE
PJ6A-44	YELLOW
PJ6A-45	GREEN



*** NOTICE ***

THIS DOCUMENT CONTAINS CONFIDENTIAL AND/OR PROPRIETARY INFORMATION INTENDED FOR USE ONLY BY THE INDIVIDUAL(S) PROVIDED. NEITHER THIS DOCUMENT, NOR ANY INFORMATION CONTAINED HEREIN, MAY BE COPIED, DISTRIBUTED, DISCLOSED TO ANY THIRD PARTY OR USED IN ANY MANNER OTHER THAN FOR WHICH IT HAS BEEN PROVIDED, WITHOUT THE PRIOR WRITTEN CONSENT OF ORTRONICS, INC. MANUFACTURING RELEASE, PRODUCT SPECIFICATIONS AND STANDARDS ARE SUBJECT TO CHANGE WITHOUT NOTICE.

	NAME	DATE
DWN	K. CUPPLES	05/12/11
CHK	C.A.C	05/12/11
APPR	W. DIETZ	05/12/11



125 EUGENE O'NEILL DRIVE
 NEW LONDON, CT 06320
 TEL: 860-445-3800
 FAX: 860-405-2990
 WWW.ORTRONICS.COM

TITLE		REAR LOAD PANEL JACK, CAT 6A, 8P8C T568A/B		
SIZE	CAD FILE	DWG NO	REV	
A	PJ6AXXC	OR-PJ6A-XX	01	
SCALE	WEIGHT	SHEET		
2:1		1 OF 1		