

FIBER ROUTING:

1. USE FIBER BEND LIMITING CLIPS TO STORE EXCESS FIBER AND TO PROVIDE BEND CONTROL. (SEE FIGURE 1).

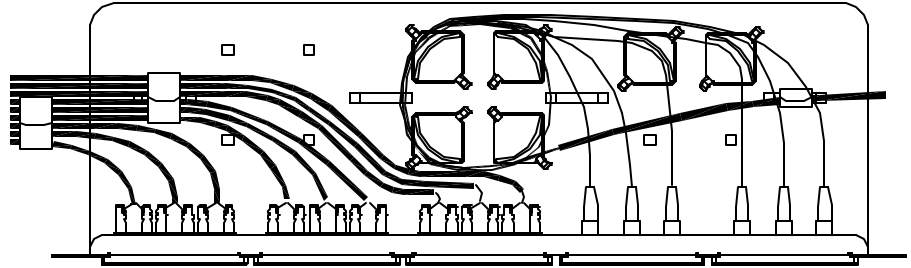


FIGURE 1

2. MAINTAIN A MINIMUM BEND RADIUS OF 10 TIMES THE OUTSIDE DIAMETER OF THE FIBER JACKET.

NOTE: KEEP FIBER AND COPPER CABLES SEPARATED (SEE FIGURE 1).

COPPER WIRE ROUTING:

1. PULL CABLE THROUGH BEZEL WHERE THE MODULE WILL BE LOCATED. PLACE MODULE WITH FRONT FACE AGAINST THE NEAREST SUITABLE TERMINATION LOCATION (FIGURE 2). TERMINATE PER WIRING AND CABLING INSTRUCTIONS, THEN FLIP MODULE OVER AND SNAP INTO PLACE IN BEZEL. REPEAT FOR ALL MODULES.
2. USE SLOTS IN TRAY FOR SECURING CABLES IN PLACE (USE TIE-WRAPS OR VELCRO STRAPS).
3. MAINTAIN A MINIMUM BEND RADIUS OF 4 TIMES THE OUTSIDE DIAMETER OF THE CABLE.

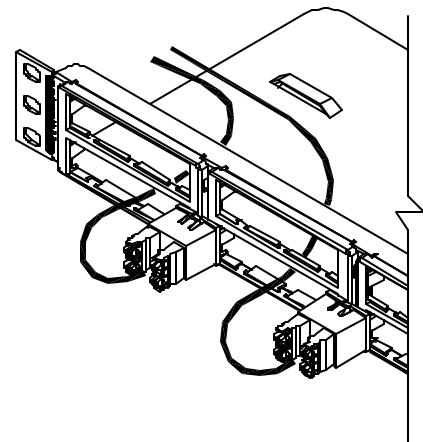


FIGURE 2

CAD: I:\716\010991

INSTRUCTION SHEET #	REV.	ECN #	SHEET	DWN.BY:	DATE	CHK.BY:	DATE	APP.BY:	DATE
71601099			1 of 1	WATROUS	08/25/00				