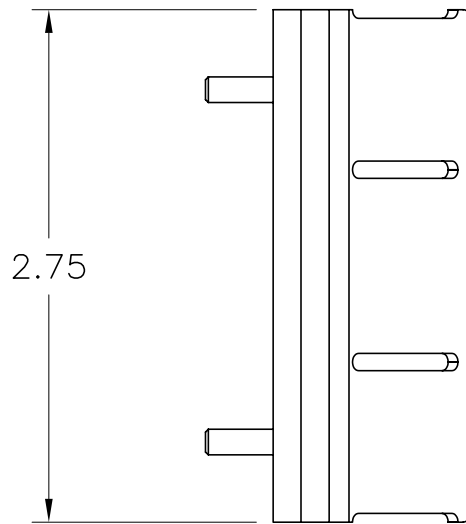
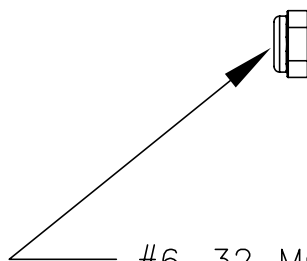
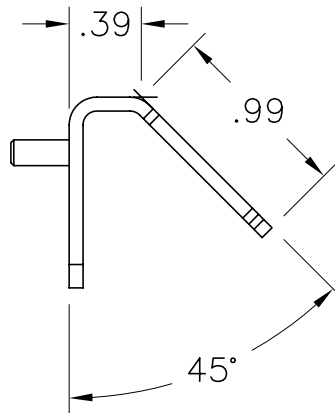


NOTES:

1. ALL DIMENSIONS ARE IN INCHES.
2. BRACKETS ARE USED IN THE REAR OF A 2, 3, OR 4U CABINET TO STRAIN RELIEVE THE ENTRY OF CABLE INTO THE CABINET. THE BRACKET MAY BE USED FOR EITHER LEFT OR RIGHT-SIDE ENTRY.
3. TWO (2) HOOK-LOOP STRAPS & INSTALLATION INSTRUCTIONS INCLUDED.



BRACKET



#6-32 MOUNTING HARDWARE  
(2 PROVIDED)

\*\*\* NOTICE \*\*\*

THIS DOCUMENT CONTAINS CONFIDENTIAL AND/OR PROPRIETARY INFORMATION INTENDED FOR USE ONLY BY THE INDIVIDUAL(S) SPECIFIED HEREIN AND ONLY FOR THE PURPOSE(S) PROVIDED. NEITHER THIS DOCUMENT, NOR ANY INFORMATION CONTAINED HEREIN, MAY BE COPIED, DISTRIBUTED, DISCLOSED TO ANY THIRD PARTY OR USED IN ANY MANNER OTHER THAN FOR WHICH IT HAS BEEN PROVIDED, WITHOUT THE PRIOR WRITTEN CONSENT OF ORTRONICS, INC.



TITLE  
BRACKET KIT, 2/3/4U, LOWER

|         |         |      |         |
|---------|---------|------|---------|
| DWN.BY: | RYNASKI | DATE | 5/16/05 |
| CHK.BY: | A.M.    | DATE | 5/18/05 |
| APP.BY: | M.E.M.  | DATE | 5/18/05 |

|       |          |             |        |
|-------|----------|-------------|--------|
| SIZE  | CAD FILE | PART NUMBER | REV    |
| A     | FCBR003C | OR-FCBR-003 | 01     |
| SCALE | DATE     | SHEET       | 1 OF 1 |
| NONE  | 6/27/05  |             |        |