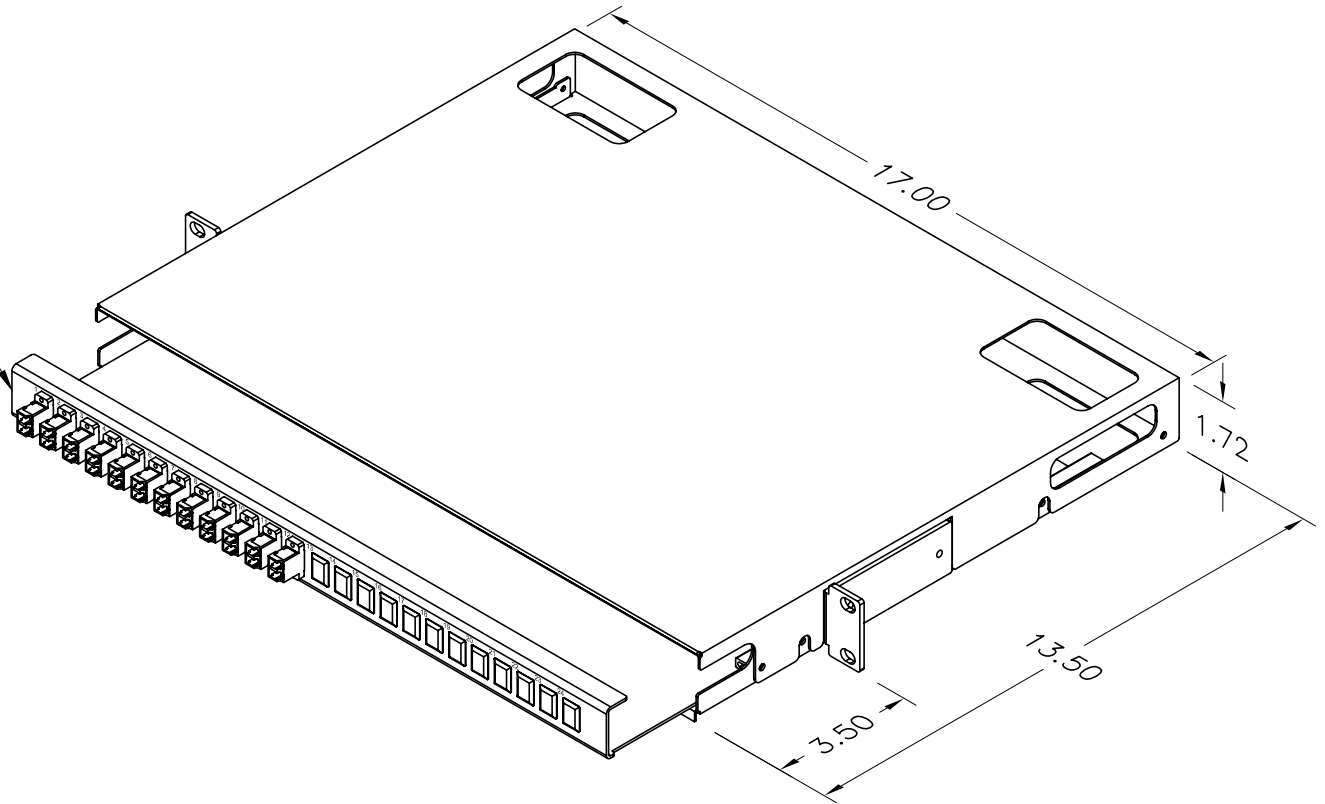



NOTES:

1. ADAPTERS HAVE DUST CAPS PROVIDED INSTALLED.
2. LC DUPLEX ADAPTERS ARE BEIGE WITH BRONZE ALLOY ALIGNMENT SLEEVES.
3. ALL DIMENSIONS ARE INCHES.
4. THIS CABINET CONFIGURATION SUPPORTS 24 FIBERS.

FULLY CLOSED TRAY IS  
RECESSED 1.25" FROM  
FACE OF CABINET



|   |  |                |  |                          |                                |         |
|---|--|----------------|--|--------------------------|--------------------------------|---------|
| <p>*** NOTICE ***</p> <p>THIS DOCUMENT CONTAINS CONFIDENTIAL AND/OR PROPRIETARY INFORMATION INTENDED FOR USE ONLY BY THE INDIVIDUAL(S) SPECIFIED HEREIN AND ONLY FOR THE PURPOSE(S) PROVIDED. NEITHER THIS DOCUMENT, NOR ANY INFORMATION CONTAINED HEREIN, MAY BE COPIED, DISTRIBUTED, DISCLOSED TO ANY THIRD PARTY OR USED IN ANY MANNER OTHER THAN FOR WHICH IT HAS BEEN PROVIDED, WITHOUT THE PRIOR WRITTEN CONSENT OF ORTRONICS, INC.</p> |  <p>NEW LONDON, CT 06320<br/>(860) 445-3800</p> |                | TITLE  |                          |                                |         |
|   | DWN.BY: RYNASKI  | DATE: 05/21/02 | RACK MOUNT, 12 LC DUPLEX MULTIMODE, METAL SLEEVES, LOADED, PREPUNCHED, BLACK |                          |                                |         |
|   | CHK.BY: AM   | DATE: 5/07/04  | SIZE: A  | CAD FILE: 625MMC24PL1RBC | PART NUMBER: OR-625MMC-24PL1RB | REV: 08 |
|   | APP.BY: MEM  | DATE: 5/07/04  | SCALE: NONE  | DATE: 10/23/08           | SHEET: 1 OF 1                  |         |