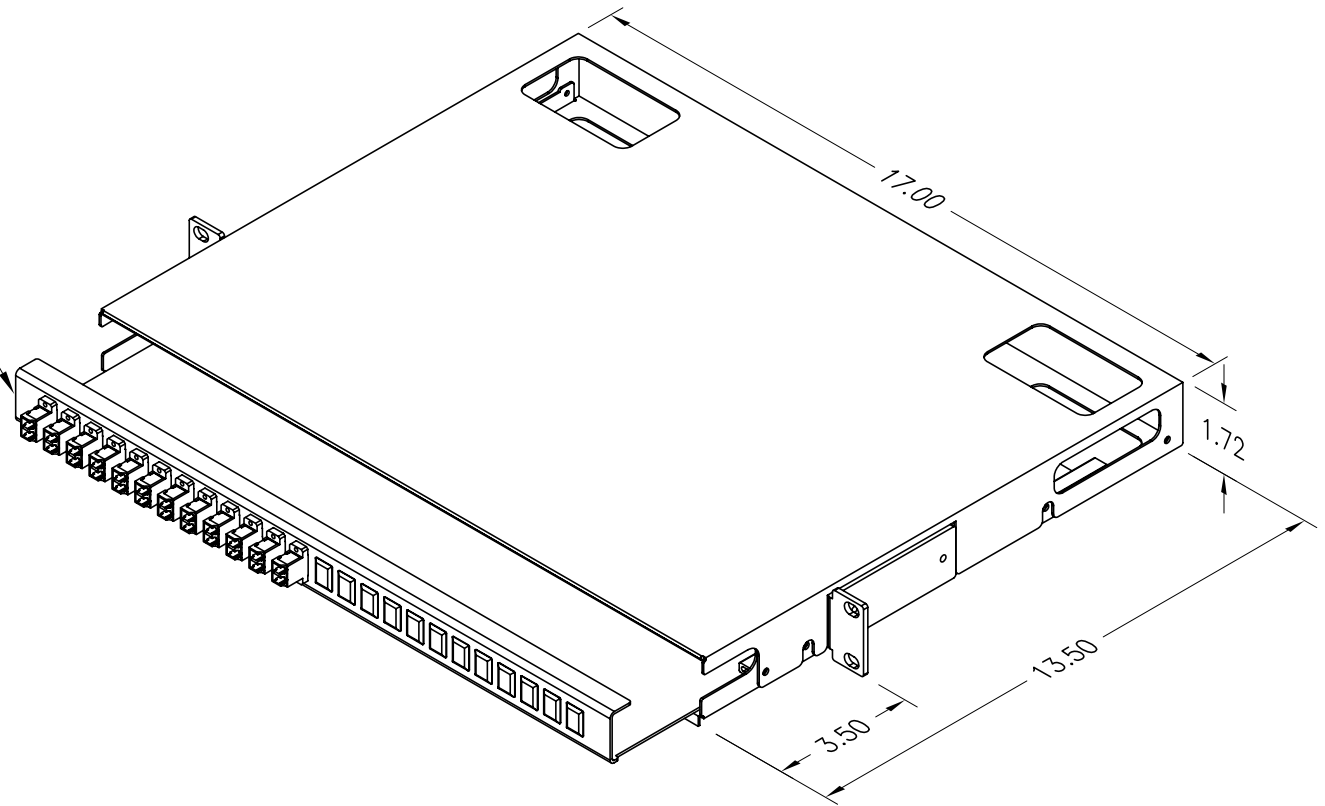



NOTES:

1. ADAPTERS HAVE DUST CAPS PROVIDED INSTALLED.
2. LC DUPLEX ADAPTERS, BLUE WITH CERAMIC ALIGNMENT SLEEVES.
3. ALL DIMENSIONS ARE INCHES.
4. THIS CABINET CONFIGURATION SUPPORTS 24 FIBERS.

FULLY CLOSED TRAY IS
RECESSED 1.25" FROM
FACE OF CABINET



<p>*** NOTICE ***</p> <p>THIS DOCUMENT CONTAINS CONFIDENTIAL AND/OR PROPRIETARY INFORMATION INTENDED FOR USE ONLY BY THE INDIVIDUAL(S) SPECIFIED HEREIN AND ONLY FOR THE PURPOSE(S) PROVIDED. NEITHER THIS DOCUMENT, NOR ANY INFORMATION CONTAINED HEREIN, MAY BE COPIED, DISTRIBUTED, DISCLOSED TO ANY THIRD PARTY OR USED IN ANY MANNER OTHER THAN FOR WHICH IT HAS BEEN PROVIDED, WITHOUT THE PRIOR WRITTEN CONSENT OF ORTRONICS, INC.</p>	 <p>ORTRONICS NEW LONDON, CT 06320 (860) 445-3800</p>		TITLE			
	DWN.BY: DUPREY	DATE 05/07/04	RACK MOUNT, 12 LC DUPLEX BLUE, RECESSED SINGLEMODE ADAPTERS, LOADED, PREPUNCHED, BLACK			
	CHK.BY: AM	DATE 5/07/04	SIZE A	CAD FILE 625MMC24PP1RBC	PART NUMBER OR-625MMC-24PP1RB	REV 08
	APP.BY: MEM	DATE 5/07/04	SCALE NONE	DATE 10/23/08	SHEET 1 OF 1	