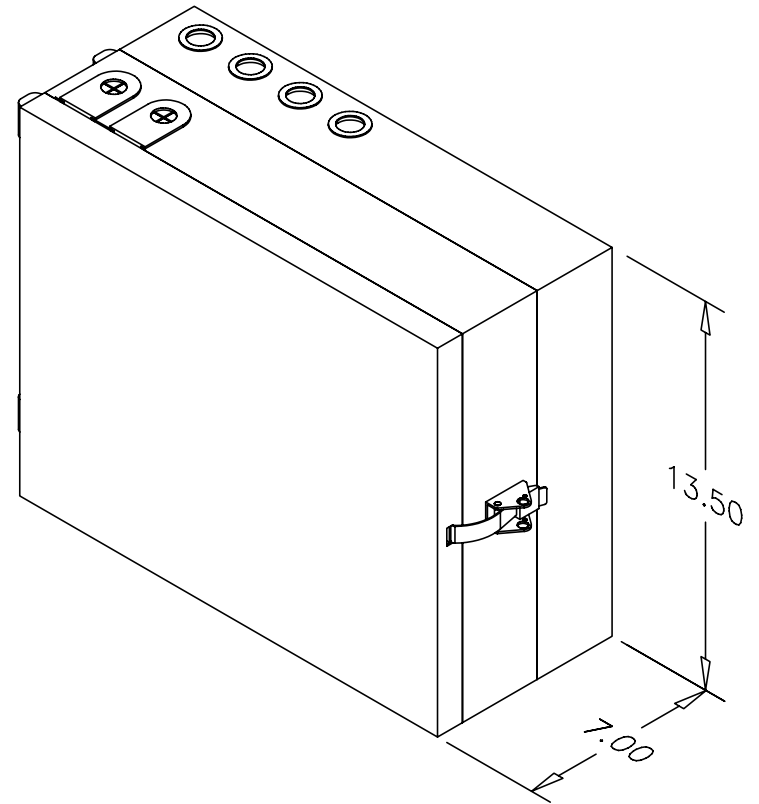


OPENED VIEW



CLOSED VIEW

*** NOTICE ***
 THIS DOCUMENT CONTAINS CONFIDENTIAL AND/OR PROPRIETARY INFORMATION INTENDED FOR USE ONLY BY THE INDIVIDUAL(S) SPECIFIED HEREIN AND ONLY FOR THE PURPOSE(S) PROVIDED. NEITHER THIS DOCUMENT, NOR ANY INFORMATION CONTAINED HEREIN, MAY BE COPIED, DISTRIBUTED, DISCLOSED TO ANY THIRD PARTY OR USED IN ANY MANNER OTHER THAN FOR WHICH IT HAS BEEN PROVIDED, WITHOUT THE PRIOR WRITTEN CONSENT OF ORTRONICS, INC.



DWN.BY: WATROUS DATE: 12/11/97
 CHK.BY:
 APP.BY:

TITLE

WALL MNT, 96 PORT, CABINET
 16.75X13.5X7, BLACK, EMPTY

SIZE	CAD FILE	PART NUMBER	REV
A	615SMFC96PC	OR-615SMFC-96P	01
SCALE	NONE	DATE	8/10/07
		SHEET	1 OF 1