

NOTE:

1. KIT CONSISTS OF 25 INDIVIDUALLY PACKAGED FIELD INSTALLABLE CONNECTORS.
2. THE "-CCC" SUFFIX OF THE PART NUMBER INDICATES THE CORE SIZE AND THE GRADE OF THE PRE-POLISHED FIBER STUB IN THE CONNECTOR BODY. SEE TABLE 1.
3. THE CONNECTOR SHALL BE PROVIDED WITH PROTECTIVE DUST CAPS INSTALLED.
4. THIS CONNECTOR SHALL MEET THE INTERMATEABILITY STANDARD TIA/EIA-604-10.

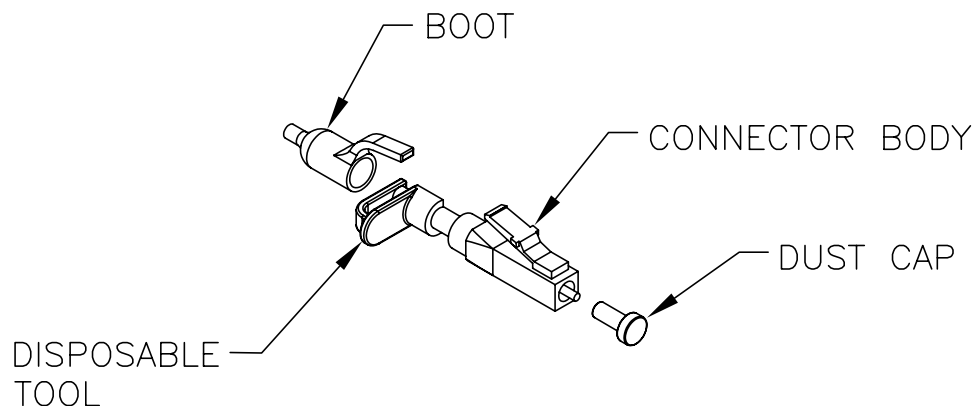


TABLE 1

PART NUMBER - "CCC"	CORE TYPE	TIA/EIA STANDARD
205KAS9GB-09	9/125	TIA/EIA 568-B.3
205KAS9GB-50T	50/125	TIA/EIA 568-B.3-1
205KAS9GB-62	62.5/125	TIA/EIA 568-B.3

<p style="text-align: center;">*** NOTICE ***</p> <p>THIS DOCUMENT CONTAINS CONFIDENTIAL AND/OR PROPRIETARY INFORMATION INTENDED FOR USE ONLY BY THE INDIVIDUAL(S) SPECIFIED HEREIN AND ONLY FOR THE PURPOSE(S) PROVIDED. NEITHER THIS DOCUMENT, NOR ANY INFORMATION CONTAINED HEREIN, MAY BE COPIED, DISTRIBUTED, DISCLOSED TO ANY THIRD PARTY OR USED IN ANY MANNER OTHER THAN FOR WHICH IT HAS BEEN PROVIDED, WITHOUT THE PRIOR WRITTEN CONSENT OF ORTRONICS, INC.</p>	<p>ORTRONICS NEW LONDON, CT 06320 (860) 445-3800</p>	<p>TITLE CONNECTOR KIT, 25 PC, LC-COMPATIBLE, 900um, FIELD-INSTALLABLE</p>				
		DWN.BY:	RYNASKI	DATE	3/19/04	
		CHK.BY:	A.M.	DATE	3/29/04	
		APP.BY:	M.E.M.	DATE	4/15/04	
		SIZE	CAD FILE	PART NUMBER	REV	
		A	205KAS9GBCCCC	OR-205KAS9GB-CCC	00	
		SCALE	DATE	SHEET	1 OF 1	
		NONE	3/19/04	1 OF 1		