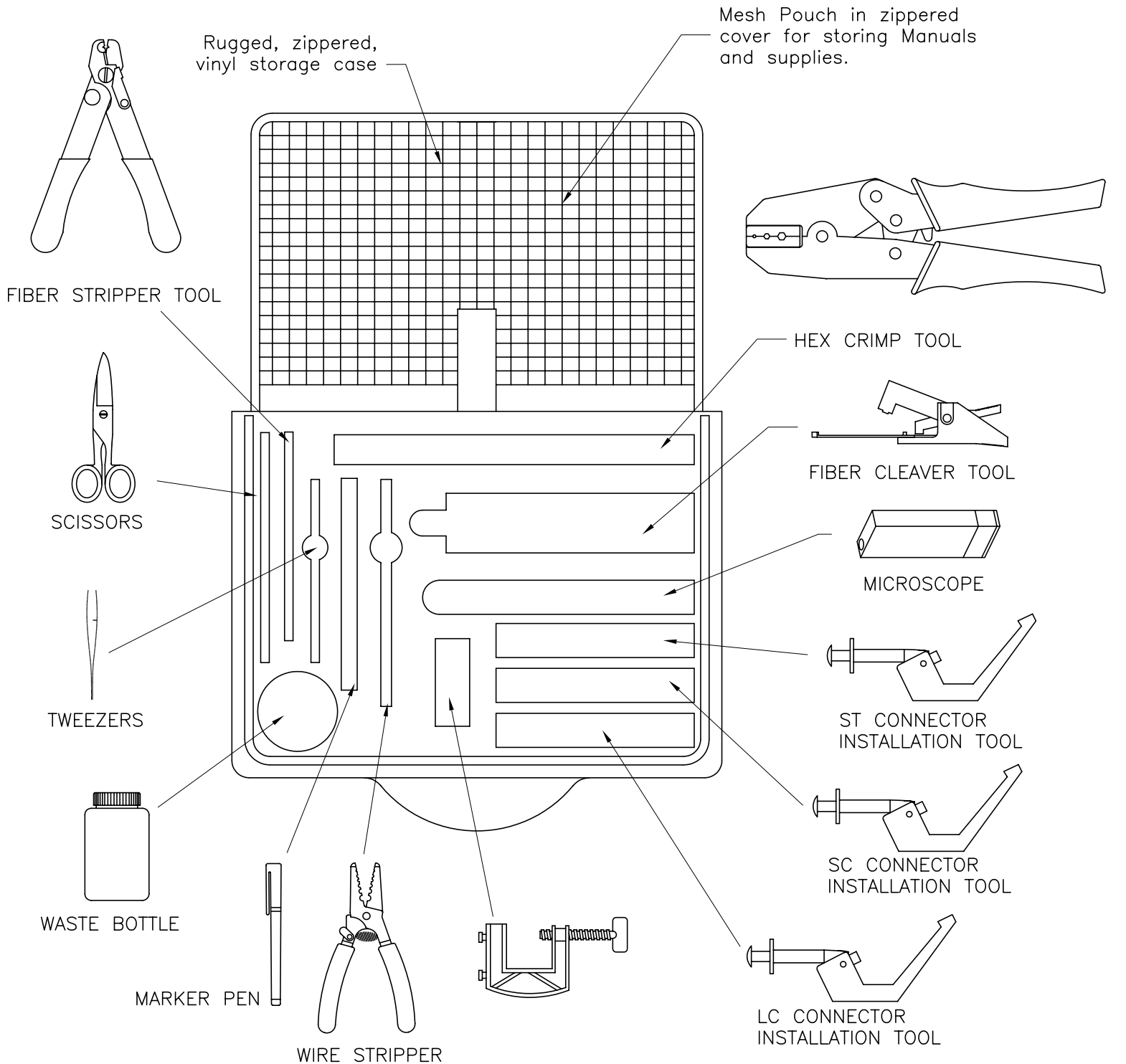


Included accessories:

- (1) Ortronics "ST" Instruction Manual
- (1) Ortronics "SC" Instruction Manual
- (1) Ortronics "LC" Instruction Manual
- (1) Field Termination Instruction CD
- (1) Technical Bulletin - OptiMo™ Field Installable Connectors
- (10) Alcohol wipes



*** NOTICE ***

THIS DOCUMENT CONTAINS CONFIDENTIAL AND/OR PROPRIETARY INFORMATION INTENDED FOR USE ONLY BY THE INDIVIDUAL(S) SPECIFIED HEREIN AND ONLY FOR THE PURPOSE(S) PROVIDED. NEITHER THIS DOCUMENT, NOR ANY INFORMATION CONTAINED HEREIN, MAY BE COPIED, DISTRIBUTED, DISCLOSED TO ANY THIRD PARTY OR USED IN ANY MANNER OTHER THAN FOR WHICH IT HAS BEEN PROVIDED, WITHOUT THE PRIOR WRITTEN CONSENT OF ORTRONICS, INC.



NEW LONDON, CT 06320
(860) 445-3800

DWN.BY:	DUPREY	DATE	05/14/03
CHK.BY:	A.M.	DATE	4/26/04
APP.BY:	M.E.M.	DATE	5/3/04

TITLE			
COMPLETE FIELD TERMINATION KIT FOR OPTIMO FIELD-INSTALLABLE PRODUCTS			
SIZE	CAD FILE	PART NUMBER	REV
A	854A000001C	OR-854A00000-1	10
SCALE	REL DATE	SHEET	
NONE	09/18/2007	1 OF 1	