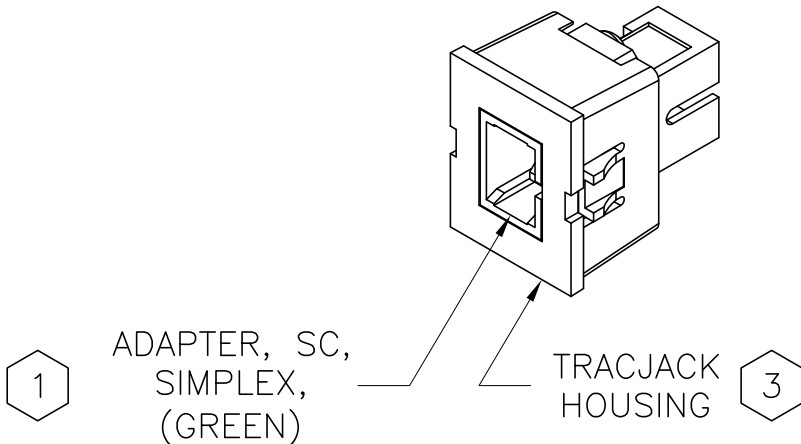
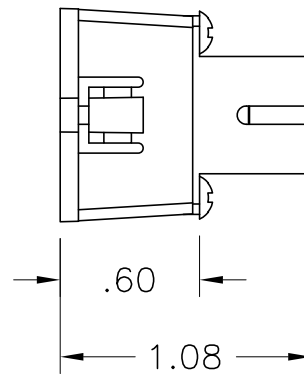
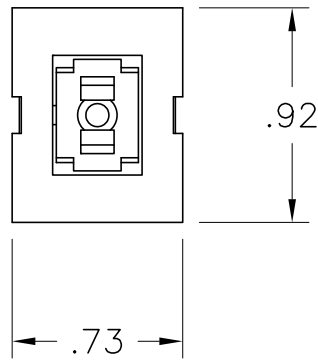


NOTES: UNLESS OTHERWISE SPECIFIED

1. DUSTCAPS ARE PROVIDED INSTALLED.
2. ALL DIMENSIONS ARE IN INCHES.
3. THE "-XX" AT THE END OF THE PART NUMBER SHALL INDICATE THE COLOR OF HOUSING. COLOR SHALL BE IN ACCORDANCE WITH ORTRONICS SPECIFICATION #OR-71601654.



INDICATES NOTE REFERENCE



*** NOTICE ***
 THIS DOCUMENT CONTAINS CONFIDENTIAL AND/OR PROPRIETARY INFORMATION INTENDED FOR USE ONLY BY THE INDIVIDUAL(S) SPECIFIED HEREIN AND ONLY FOR THE PURPOSE(S) PROVIDED. NEITHER THIS DOCUMENT, NOR ANY INFORMATION CONTAINED HEREIN, MAY BE COPIED, DISTRIBUTED, DISCLOSED TO ANY THIRD PARTY OR USED IN ANY MANNER OTHER THAN FOR WHICH IT HAS BEEN PROVIDED, WITHOUT THE PRIOR WRITTEN CONSENT OF ORTRONICS, INC.



DWN.BY: RYNASKI		DATE: 8/29/11		TITLE: TRACJACK, SC/SIMPLEX, CERAMIC, SM GREEN ADAPTER	
CHK.BY: D. SCHLUETER	DATE: 08/29/11	SIZE: A	CAD FILE: 63700089XXC	PART NUMBER: OR-63700089-XX	REV: 00
APP.BY: W. DIETZ	DATE: 08/29/11	SCALE: NONE	DATE: 8/29/11	SHEET: 1 OF 1	