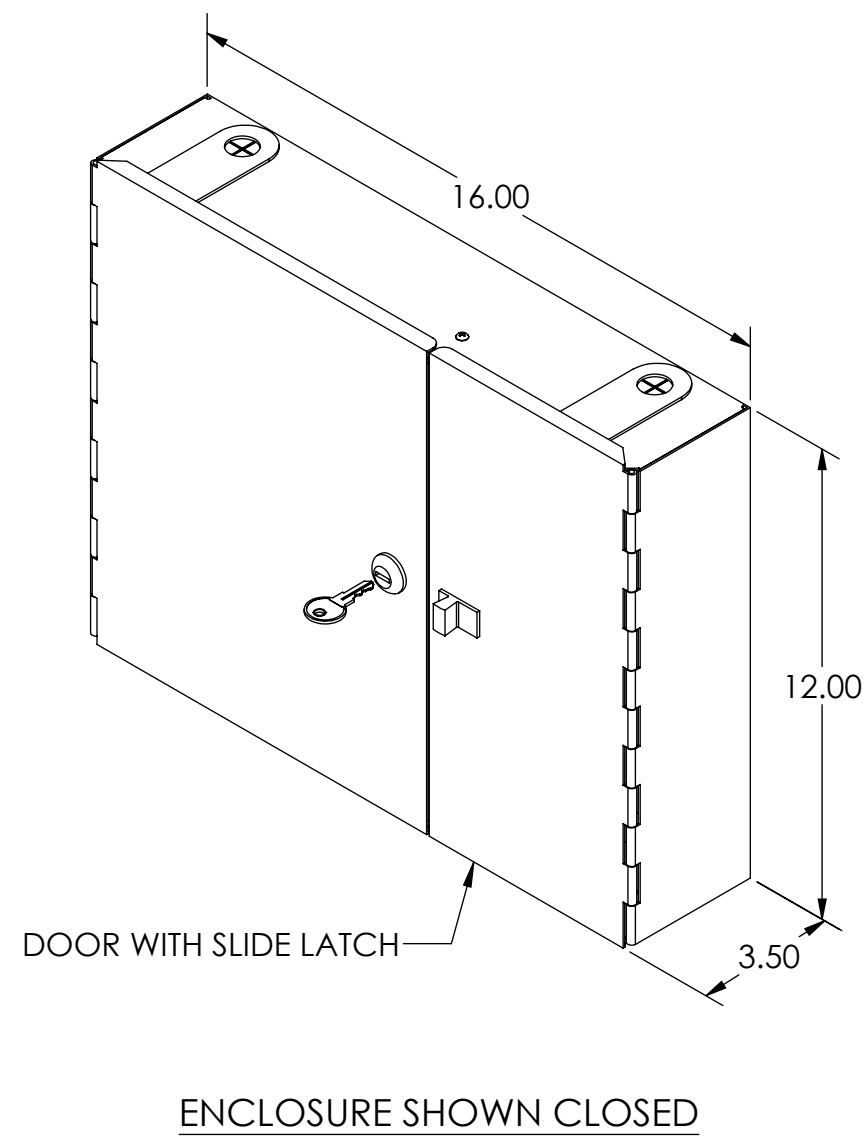
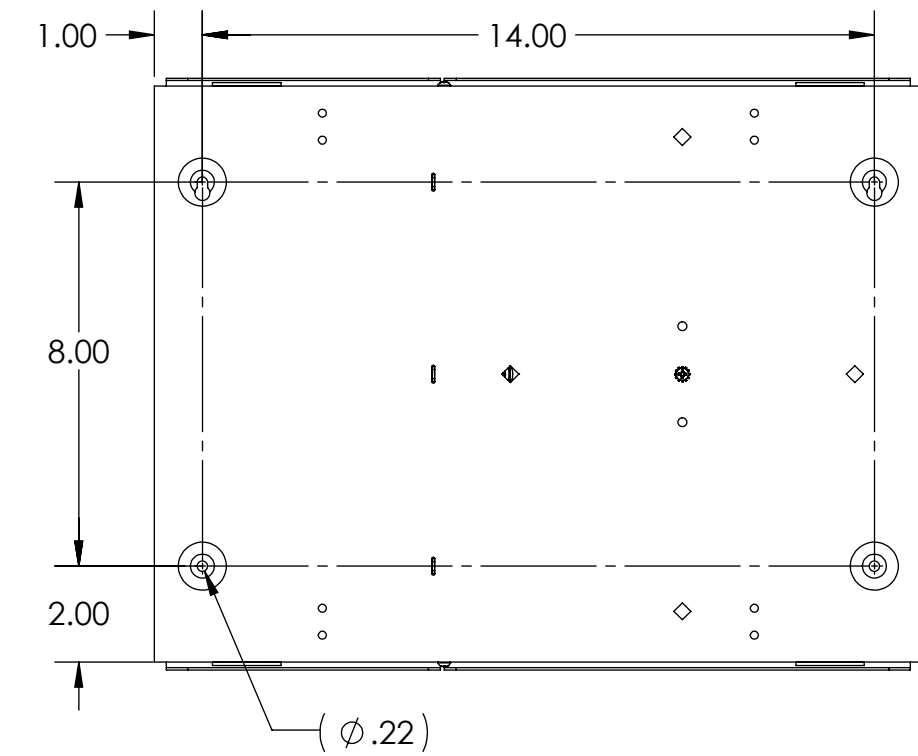
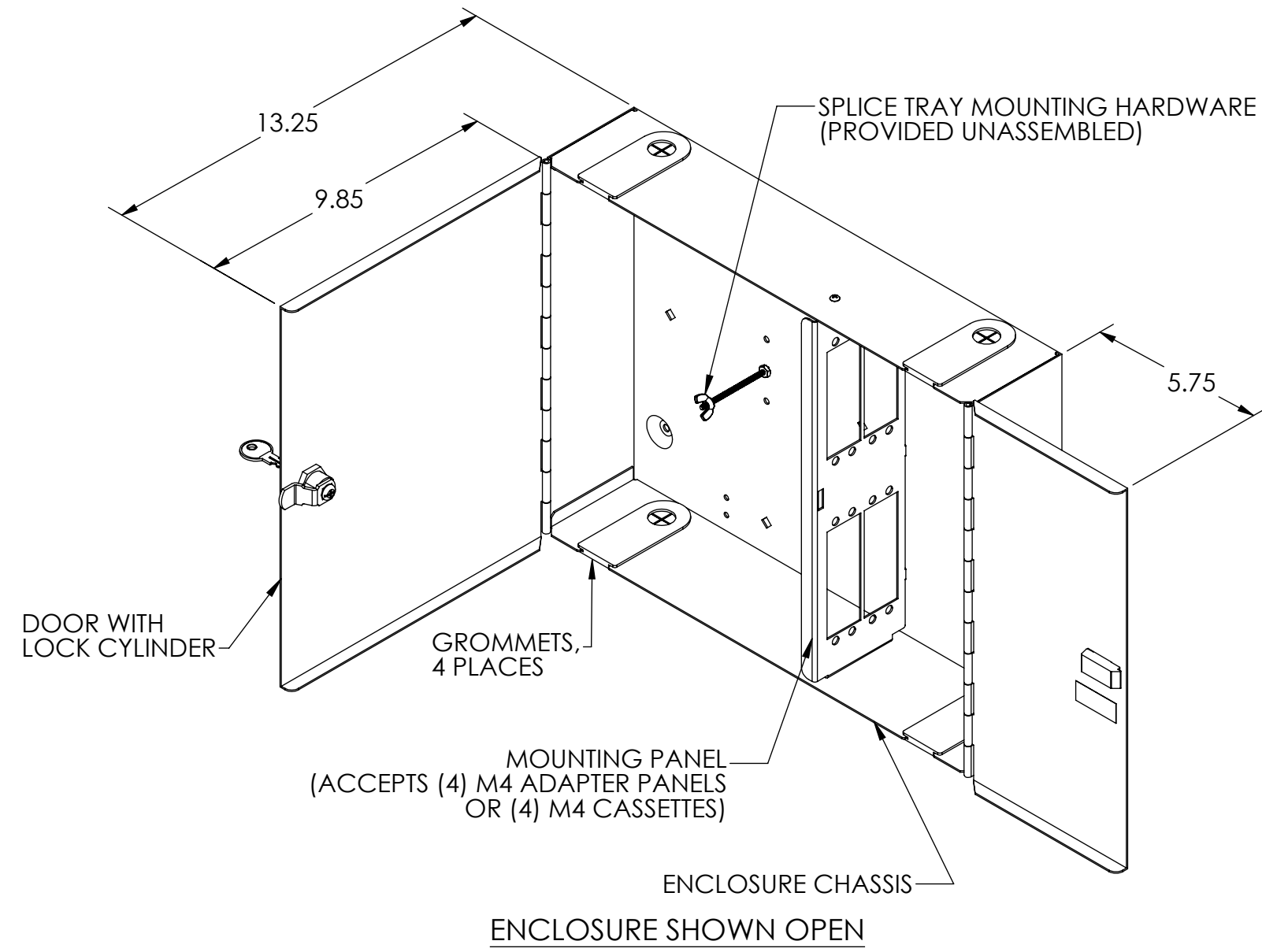


NOTES: UNLESS OTHERWISE SPECIFIED

1. ALL DIMENSIONS ARE IN INCHES.
2. CONSTRUCTION: 18 GA C.R.S POWDERCOATED BLACK.
3. FIELD INSTALLATION INSTRUCTIONS ARE INCLUDED INSIDE THE ENCLOSURE.
4. AN ACCESSORY KIT INCLUDED INSIDE THE ENCLOSURE CONTAINS THE FOLLOWING ITEMS:

- (1) LABEL (CAUTION)
- (1) LABEL (DANGER)
- (2) PATCHCORD IDENTIFICATION LABELS
- (12) ADHESIVE HOOKS
- (12) ADHESIVE LOOPS
- (4) TIE WRAPS, 4.00 LONG
- (2) CABLE STRAIN RELIEF BRACKETS
- (4) SCREWS / NUTS TO MOUNT BRACKETS
- (AR) SCREW/WASHERS/NUTS TO MOUNT SPLICE TRAYS



*** NOTICE ***
THIS DOCUMENT CONTAINS CONFIDENTIAL AND/OR PROPRIETARY INFORMATION INTENDED FOR USE ONLY BY THE INDIVIDUAL(S) PROVIDED. NEITHER THIS DOCUMENT, NOR ANY INFORMATION CONTAINED HEREIN, MAY BE COPIED, DISTRIBUTED, DISCLOSED TO ANY THIRD PARTY OR USED IN ANY MANNER OTHER THAN FOR WHICH IT HAS BEEN PROVIDED. WITHOUT THE PRIOR WRITTEN CONSENT OF ORTRONICS, INC. MANUFACTURING RELEASE. PRODUCT SPECIFICATIONS AND STANDARDS ARE SUBJECT TO CHANGE WITHOUT NOTICE.

DWN	RYNASKI	10/15/12
CHK	RAM	10/25/12
APPR	A. MURANO	10/31/12



125 EUGENE O'NEILL DRIVE
NEW LONDON, CT 06320
TEL: 860-445-3800
FAX: 860-405-2990
WWW.ORTRONICS.COM

TITLE		ENCLOSURE, WALL MOUNT, DOUBLE/2U, PATCH/SPLICE, EMPTY, LOCK, BLACK			
SIZE	CAD FILE	DWG NO	REV		
C	HDSMF24PS00C	OR-HDSMF24P/S-00	00		
SCALE	WEIGHT	SHEET		1 OF 1	
1:4					