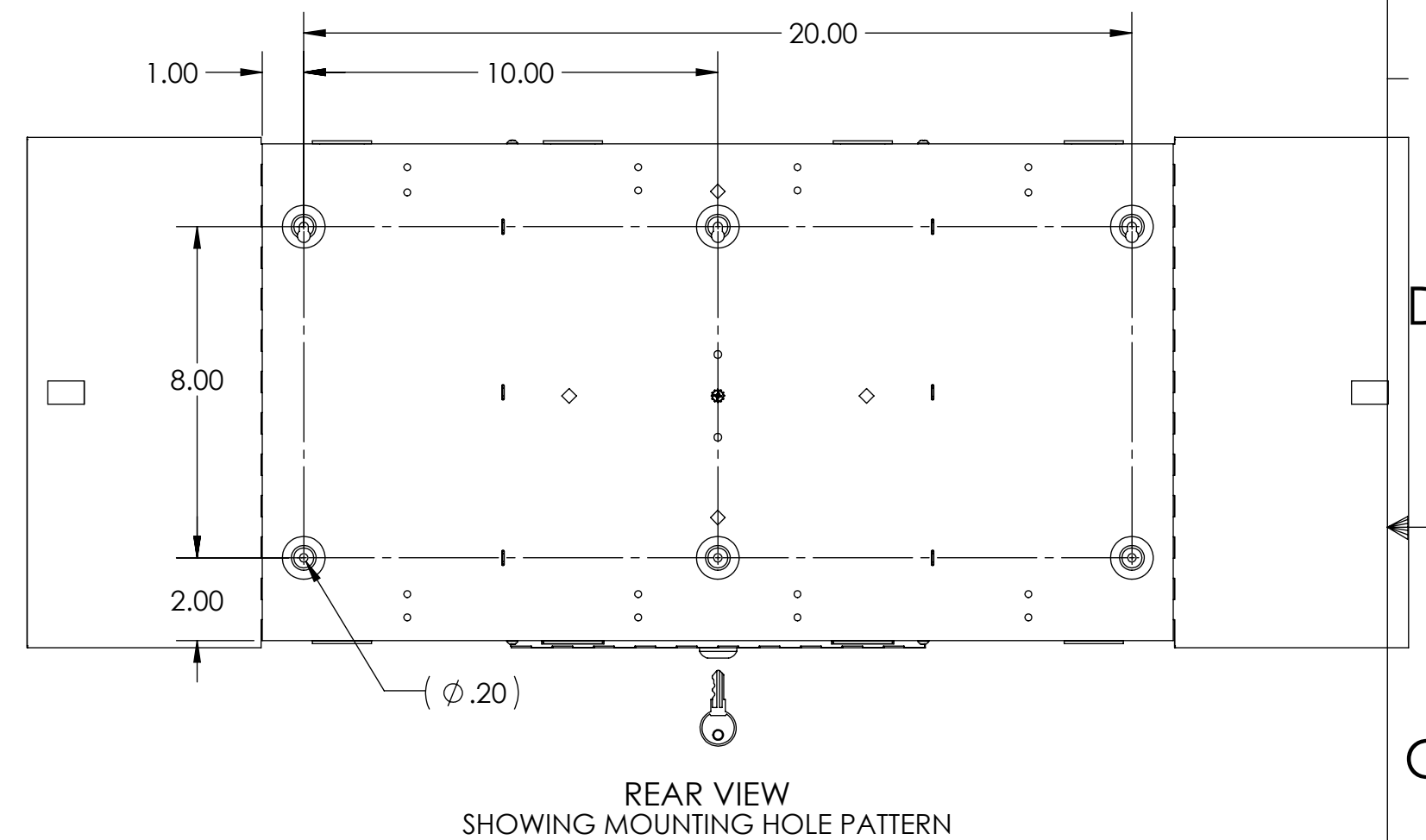
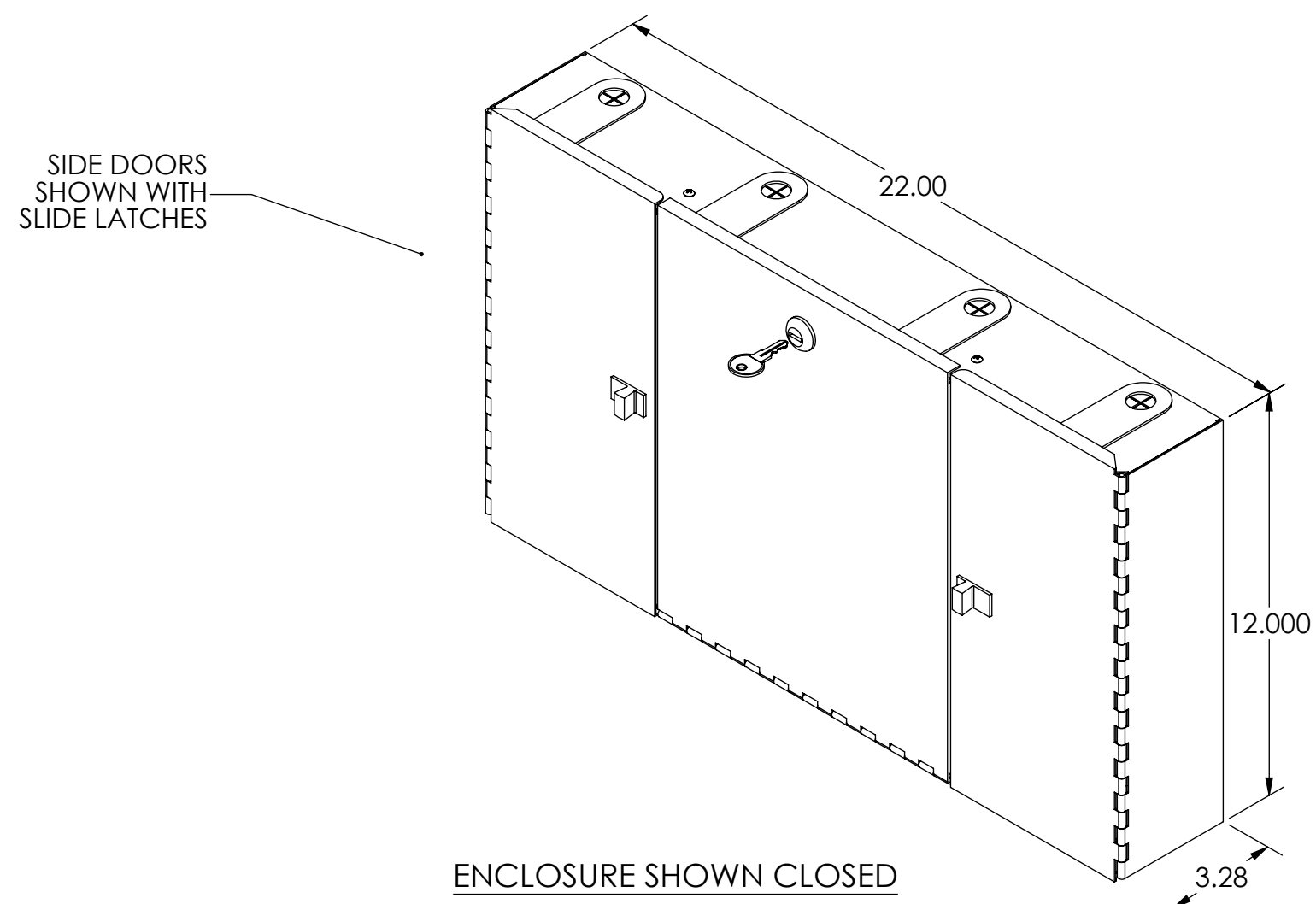
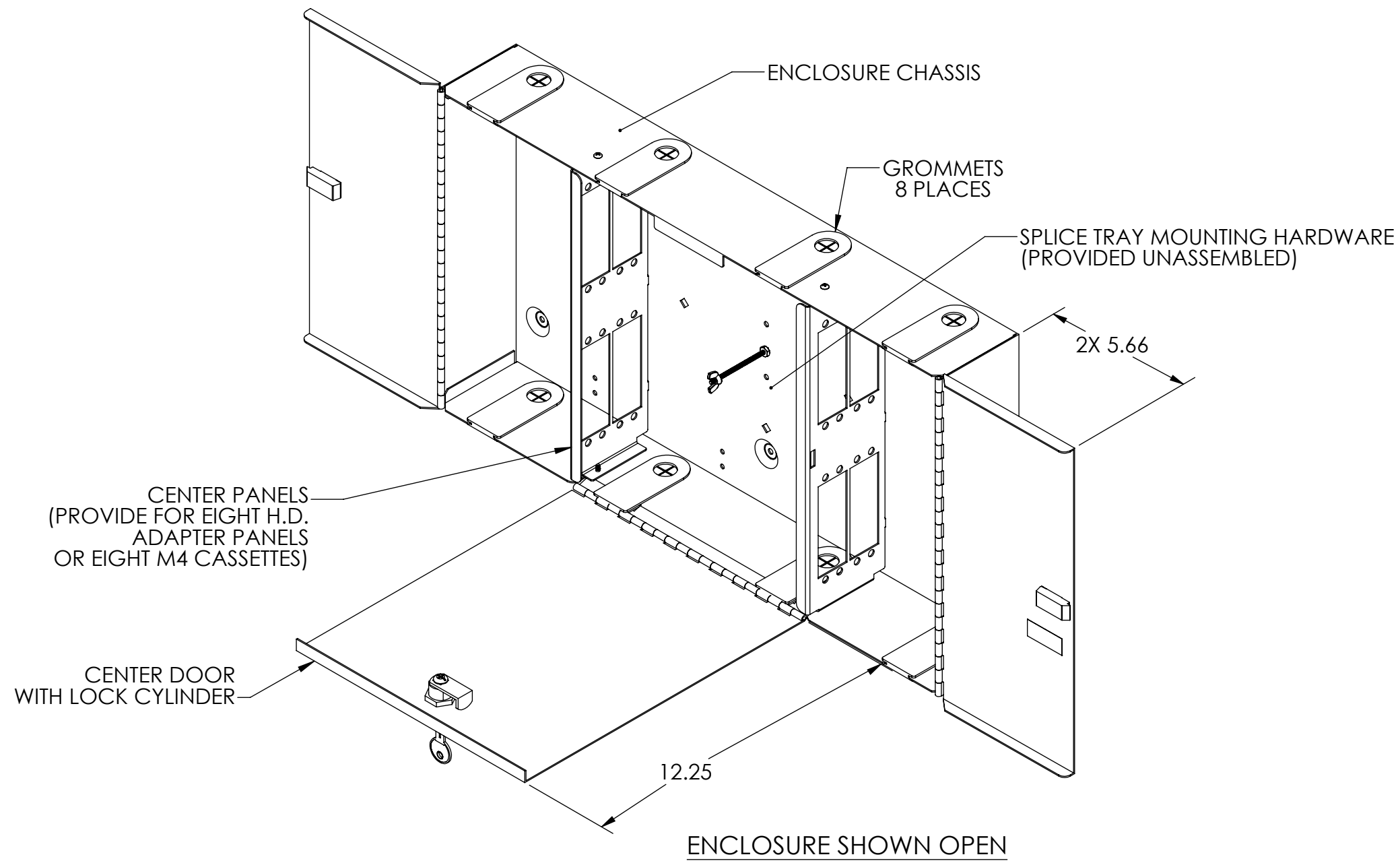


NOTES: UNLESS OTHERWISE SPECIFIED

1. ALL DIMENSIONS ARE IN INCHES.
2. CONSTRUCTION: 18 GA C.R.S POWDERCOATED BLACK.
3. FIELD INSTALLATION INSTRUCTIONS SHALL BE INCLUDED INSIDE THE ENCLOSURE.
4. AN ACCESSORY KIT INCLUDED INSIDE THE ENCLOSURE SHALL CONTAIN THE FOLLOWING ITEMS:

- (1) LABEL (CAUTION)
- (1) LABEL (DANGER)
- (4) PATCHCORD IDENTIFICATION LABELS
- (8) MOLDED CLIPS, ADHESIVE
- (4) TIE WRAPS, 4.00 LONG
- (10) TIE WRAPS, 7.50 LONG
- (4) CABLE STRAIN RELIEF BRACKETS
- (8) SCREWS / NUTS TO MOUNT BRACKETS
- (AR) SCREW/WASHERS/NUTS TO MOUNT SPLICE TRAYS



\*\*\* NOTICE \*\*\*  
THIS DOCUMENT CONTAINS CONFIDENTIAL  
AND/OR PROPRIETARY INFORMATION INTENDED  
FOR USE ONLY BY THE INDIVIDUAL(S) PROVIDED.  
NEITHER THIS DOCUMENT, NOR ANY  
INFORMATION CONTAINED HEREIN, MAY BE  
COPIED, DISTRIBUTED, DISCLOSED TO ANY THIRD  
PARTY OR USED IN ANY MANNER OTHER THAN  
FOR WHICH IT HAS BEEN PROVIDED. WITHOUT  
THE PRIOR WRITTEN CONSENT OF ORTRONICS,  
INC. MANUFACTURING RELEASE. PRODUCT  
SPECIFICATIONS AND STANDARDS ARE SUBJECT  
TO CHANGE WITHOUT NOTICE.



125 EUGENE O'NEILL DRIVE  
NEW LONDON, CT 06320  
TEL: 860-445-3800  
FAX: 860-405-2990  
WWW.ORTRONICS.COM

TITLE ENCLOSURE, WALL MOUNT, DOUBLE/2U,  
PATCH/SPLICE, EMPTY, LOCK, BLACK

DWN	RYNASKI	10/12/12	SIZE C	CAD FILE HDSMFC48PS00C	DWG NO OR-HDSMFC-48P/S-00	REV 00
CHK	RAM	10/19/12	SCALE 1:4	WEIGHT	SHEET	1 OF 1
APPR	A. MURANO	10/31/12				