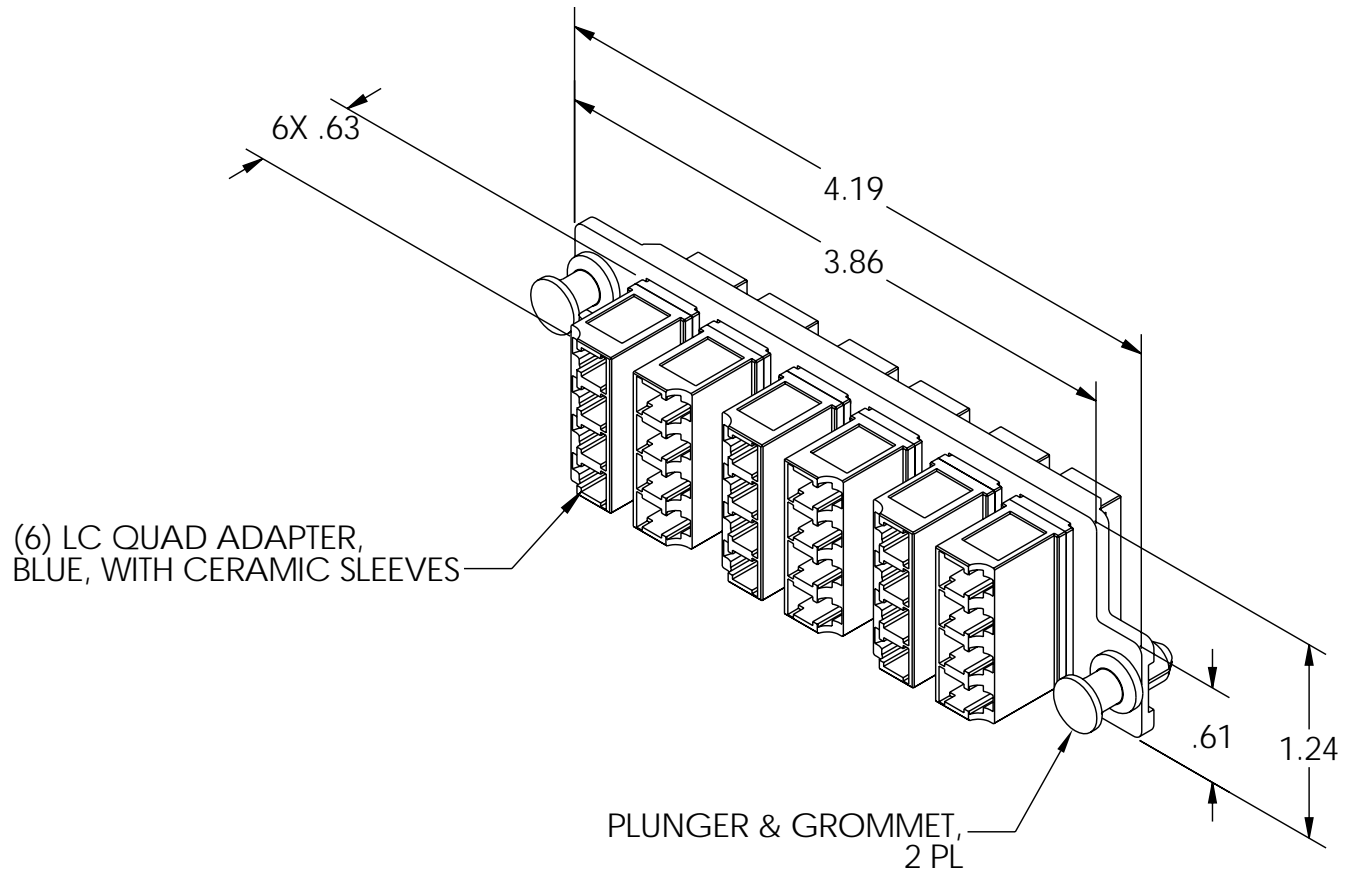



- NOTES: UNLESS OTHERWISE SPECIFIED  
 1. DUST CAPS PROVIDED INSTALLED.  
 2. ALL DIMENSIONS ARE PROVIDED INSTALLED.



<p>*** NOTICE ***          THIS DOCUMENT CONTAINS CONFIDENTIAL AND/OR PROPRIETARY INFORMATION INTENDED FOR USE ONLY BY THE INDIVIDUAL(S) PROVIDED. NEITHER THIS DOCUMENT, NOR ANY INFORMATION CONTAINED HEREIN, MAY BE COPIED, DISTRIBUTED, DISCLOSED TO ANY THIRD PARTY OR USED IN ANY MANNER OTHER THAN FOR WHICH IT HAS BEEN PROVIDED, WITHOUT THE PRIOR WRITTEN CONSENT OF ORTRONICS, INC. MANUFACTURING RELEASE, PRODUCT SPECIFICATIONS AND STANDARDS ARE SUBJECT TO CHANGE WITHOUT NOTICE.</p>					<p>125 EUGENE O'NEILL DRIVE          NEW LONDON, CT 06320          TEL: 860-445-3800          FAX: 860-405-2990          WWW.ORTRONICS.COM</p>	
			<p>TITLE</p> <p>PANEL ASSY, LC QUAD, HI DENSITY,          24/F, SM, CERAMIC</p>			
	NAME	DATE	SIZE	CAD FILE	DWG NO	REV
DWN	RYNASKI	12/2/09	A	HDFPLCQ24ACC	HDFP-LCQ24AC	00
CHK	RJG	12/4/09	SCALE 1:1		WEIGHT	
APPR	W. Dietz	12/7/09			SHEET	1 OF 1