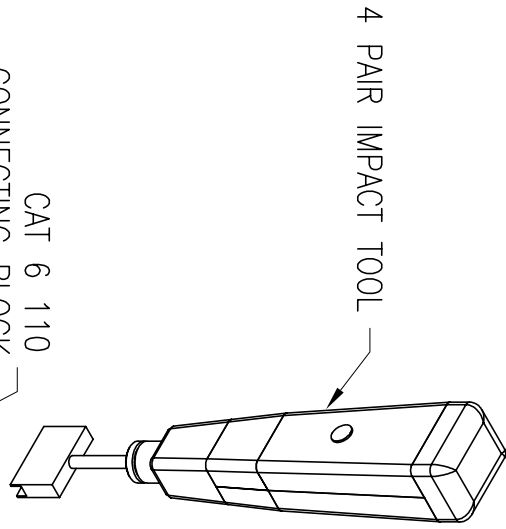


INSTALLATION INSTRUCTIONS:

1. MOUNT BLOCK BASE, FEED CABLES THROUGH OPENINGS IN BASE.
2. STRIP ONLY ENOUGH JACKET TO LACE/TERMINATE CONDUCTORS.
3. LACE CONDUCTORS INTO 110 WIRING BASE MAINTAINING PAIR TWIST AS CLOSE AS POSSIBLE, NOT TO EXCEED .5 INCHES.
4. CONFIRM CORRECT WIRING.
5. SEAT AND TRIM CONDUCTORS WITH 4 PAIR OR SINGLE POSITION IMPACT TOOL.
6. ALIGN CAT 6 C4 CONNECTING BLOCK OVER CONDUCTORS WITH BLUE TIP ON LEFT SIDE.
7. SEAT CONNECTING BLOCK ONTO BASE.
8. TERMINATE TOP OF C4 CONNECTING BLOCKS WITH SINGLE POSITION IMPACT TOOL.
9. INSTALL LABELING KIT.
10. WHEN INSTALLING BLOCK W/O LEGS SIDE BY SIDE, USE CLEAR DESIGNATION STRIP HOLDER FROM KIT OR-70400661. (20 PACK OF HOLDERS)

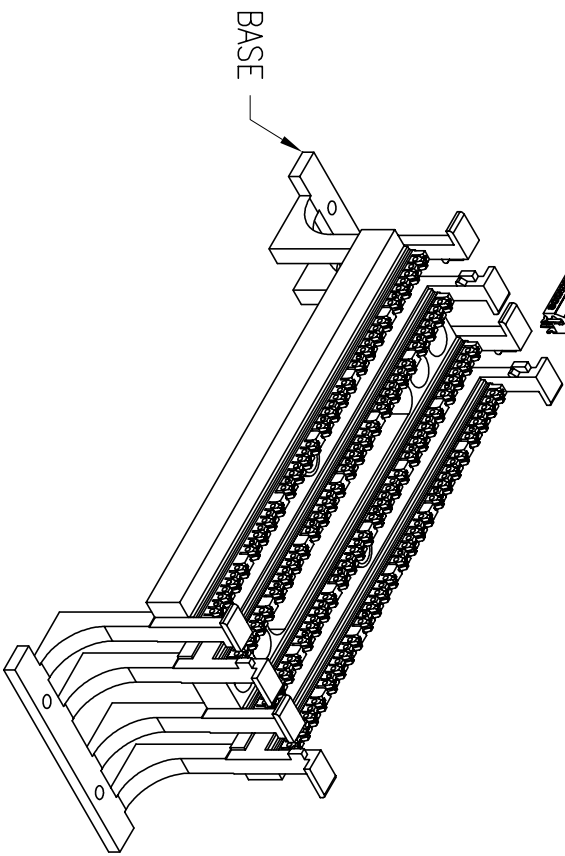
4 PAIR IMPACT TOOL



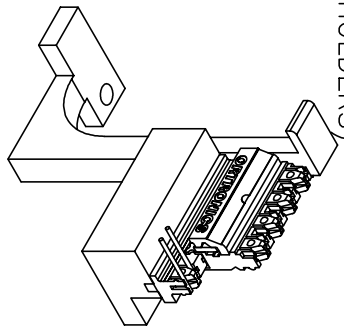
CAT 6 110
CONNECTING BLOCK



BASE

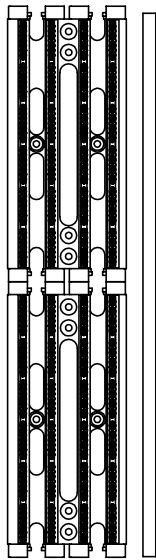


ASSEMBLY VIEW



SEE NOTE 10.

CLEAR HOLDER



CAD: J:\716\012011

REF. "PATENT #RE35,030"

INSTRUCTION SHEET NUMBER	REV	ECN	SHEET	DWN.BY:	DATE	CHK.BY:	DATE	APP.BY:	DATE
OR-71601201	01	02026	1 of 1	LEVESQUE	06/28/01	GL	03/18/02	MEM	03/18/02