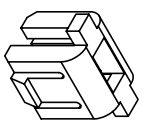
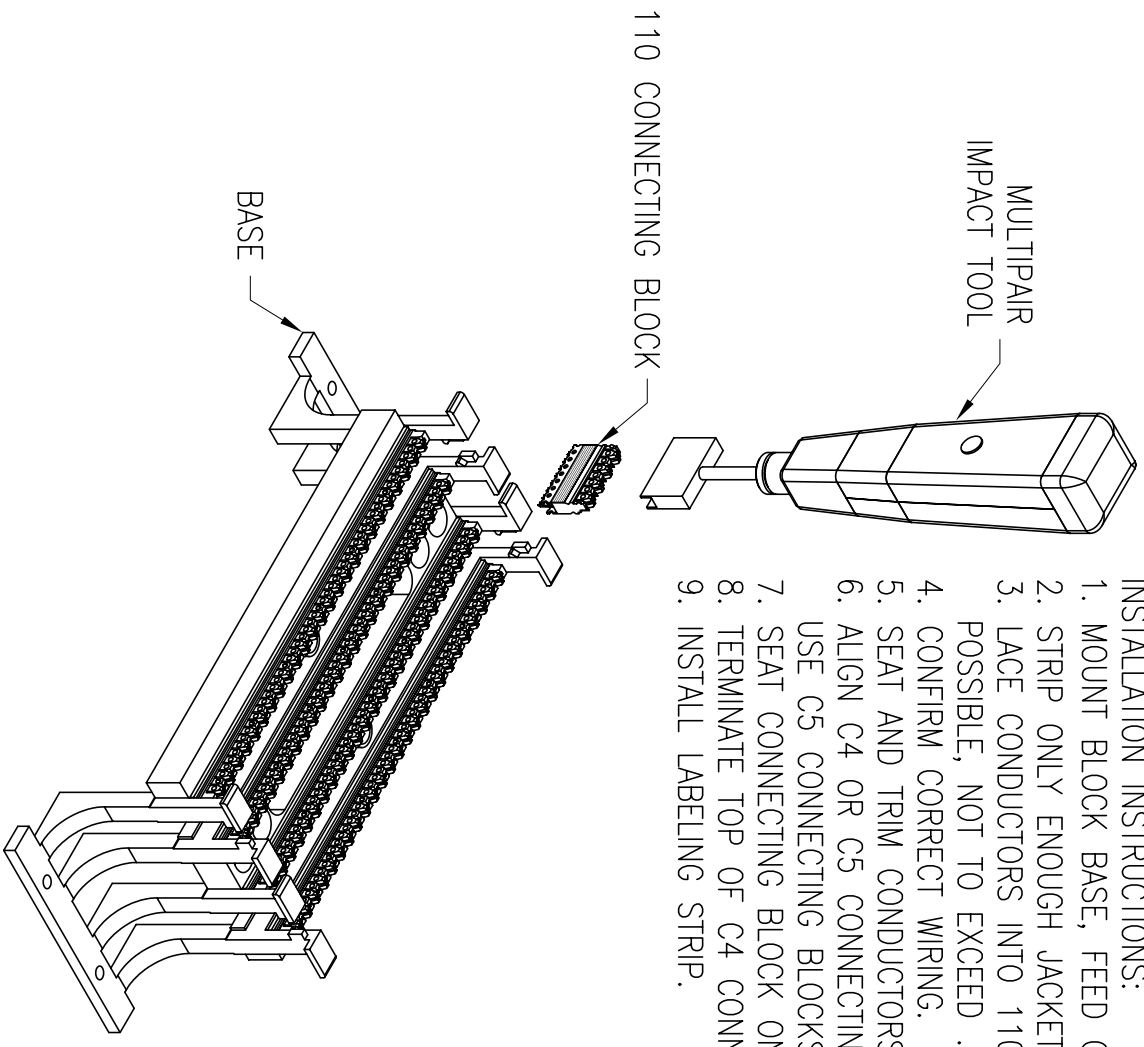
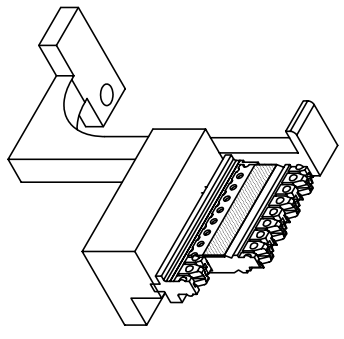


INSTALLATION INSTRUCTIONS:

1. MOUNT BLOCK BASE, FEED CABLES THROUGH OPENINGS IN BASE.
2. STRIP ONLY ENOUGH JACKET TO LACE/TERMINATE CONDUCTORS.
3. LACE CONDUCTORS INTO 110 WIRING BASE MAINTAINING PAIR TWIST AS CLOSE AS POSSIBLE, NOT TO EXCEED .5 INCHES.
4. CONFIRM CORRECT WIRING.
5. SEAT AND TRIM CONDUCTORS WITH MULTIPAR OR SINGLE POSITION IMPACT TOOL.
6. ALIGN C4 OR C5 CONNECTING BLOCKS OVER CONDUCTORS WITH BLUE TIP ON LEFT SIDE.
7. SEAT CONNECTING BLOCK ONTO BASE.
8. TERMINATE TOP OF C4 CONNECTING BLOCKS WITH SINGLE POSITION IMPACT TOOL.
9. INSTALL LABELING STRIP.



INTERLOCKING CLIP FOR ATTACHING
 BLOCKS TOGETHER



ASSEMBLY VIEW

INSTRUCTION SHEET NUMBER	REV	ECN	SHEET	DWN.BY:	DATE	CHK.BY:	DATE	APP.BY:	DATE
OR-71601266	01	02244	1 of 1	LEVESQUE	10/14/02	CWC	10/15/02	MEM	10/15/02

REF. "PATENT #RE35,030"