

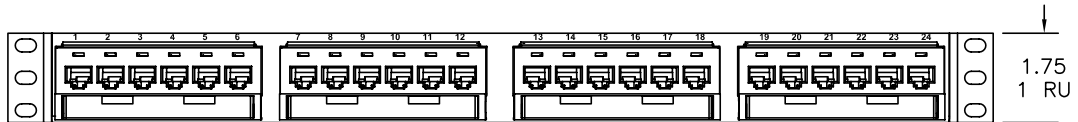
**ORTRONICS**

125 EUGENE O'NEILL DRIVE
 NEW LONDON, CT 06320
 TEL: 860-445-3800
 FAX: 860-405-2990

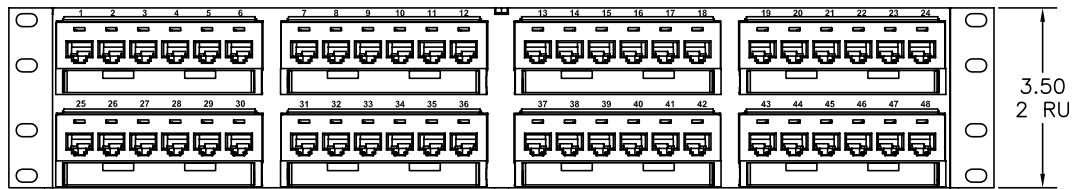
TITLE

OR-71601517
 10GIG ANGLED & CURVED
 PATCH PANELS 6 PORT MODULES

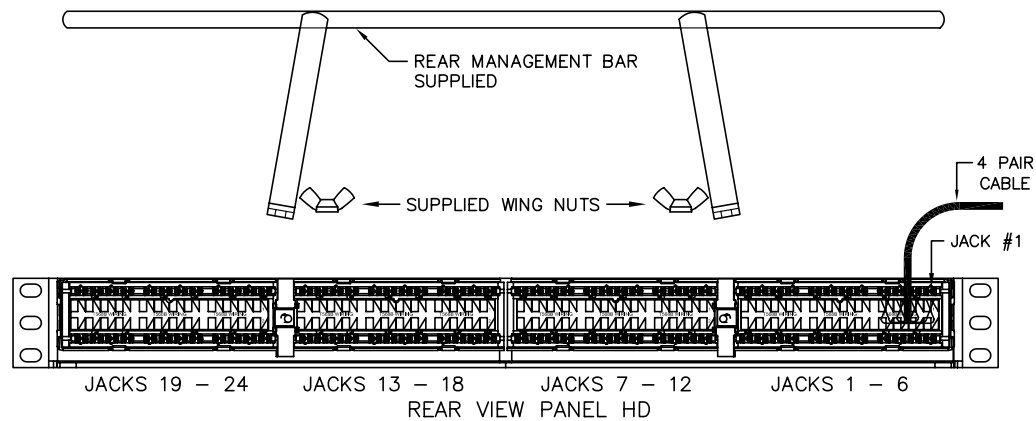
PORTS	JACK	WIRING	SIZE	PART # ANGLED 10GIG	PART # CURVED 10GIG
24 PORT	8 POS/RJ45	T568 B or A	1.75 X 19	PHA610U24	PHC610U24
48 PORT	8 POS/RJ45	T568 B or A	3.50 X 19	PHA610U48	PHC610U48



FRONT VIEW 24 PORT



FRONT VIEW 48 PORT



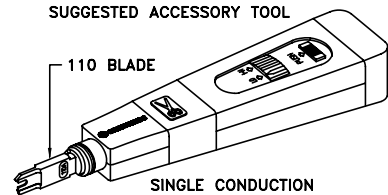
REAR VIEW PANEL HD



← 4X "T568A" LABEL
 SEE NOTE 1

STATION CABLE COLOR CODE T568A	T568A 8 POS. JACK RJ45 WIRING	STATION CABLE COLOR CODE T568B	T568B 8 POS. JACK RJ45 WIRING	RJ45 PIN #'s
WHITE/BLUE	5	WHITE/BLUE	5	
BLUE/WHITE	4	BLUE/WHITE	4	
WHITE/ORANGE	3	WHITE/ORANGE	1	
ORANGE/WHITE	6	ORANGE/WHITE	2	
WHITE/GREEN	1	WHITE/GREEN	3	
GREEN/WHITE	2	GREEN/WHITE	6	
WHITE/BROWN	7	WHITE/BROWN	7	
BROWN/WHITE	8	BROWN/WHITE	8	

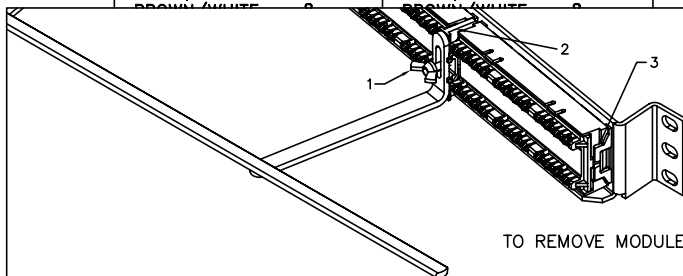
SUGGESTED ACCESSORY TOOL



SINGLE CONDUCTION
 110 IMPACT TOOL FOR
 TERMINATION OF CONDUCTORS
 OR-60300005 (TOOL)
 OR-60300006 (BLADE)

NOTES:

- PANEL IS SUPPLIED WITH T568B LABEL IN PLACE. FOR T568A WIRING, ATTACH FOUR SUPPLIED T568A WIRING LABELS OVER T568B LABELS.
- MAINTAIN PAIR TWIST UP TO POINT OF TERMINATION FOR MAXIMUM DATA PERFORMANCE.



TO REMOVE MODULE:

- TO REMOVE MODULE:
- REMOVE NEAREST WING NUT & WIRE MANAGER FROM STUD.
 - REMOVE PRESS FIT PLASTIC WIRE MANAGER SLIDE GUIDE FROM STUD.
 - PUSH OUT BEZEL LOCKING TABS WITH A SMALL, FLAT SCREWDRIVER IN THE SLOT PROVIDED.
 - WITHDRAW MODULE FROM BEZEL LOCKING TABS.
 - REASSEMBLE IN REVERSE ORDER WITH REPLACEMENT MODULE.

INSTRUCTION SHEET NO.	REV	ECN	SHEET	DWN.BY:	DATE	CK. BY	DATE	APP.BY:	DATE
OR-71601517	00		1 OF 2	C.COLLELO	11/02/06	S.A.L.	06/01/07	M.E.M.	06/01/07



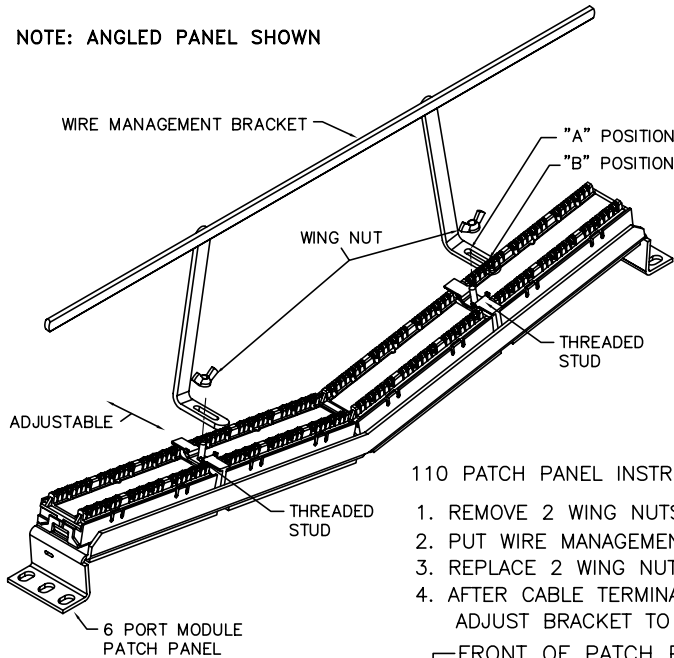
ORTRONICS®

125 EUGENE O'NEILL DRIVE
NEW LONDON, CT 06320
TEL: 860-445-3800
FAX: 860-405-2990

TITLE

OR-71601517
10G ANGLED & CURVED
PATCH PANELS 6 PORT MODULES

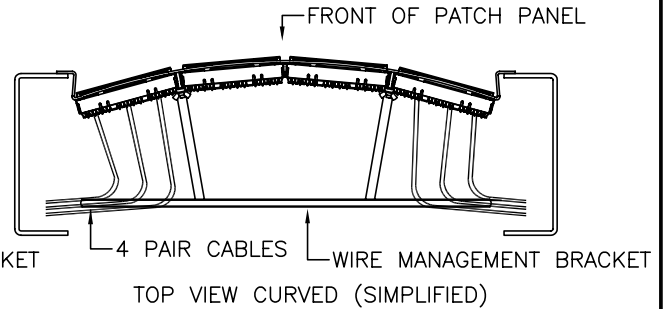
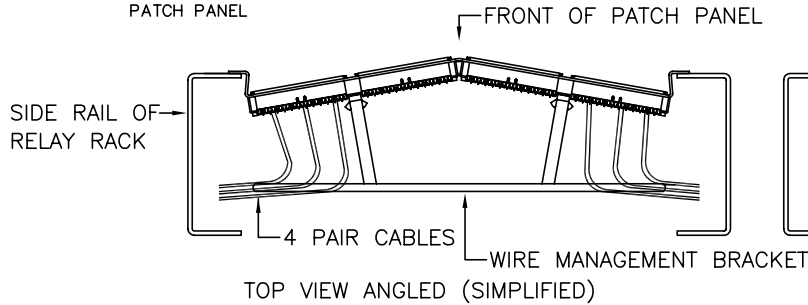
NOTE: ANGLED PANEL SHOWN



NOTE: GRAY STUFFER CAPS MUST BE INSTALLED FOR 10G PERFORMANCE.

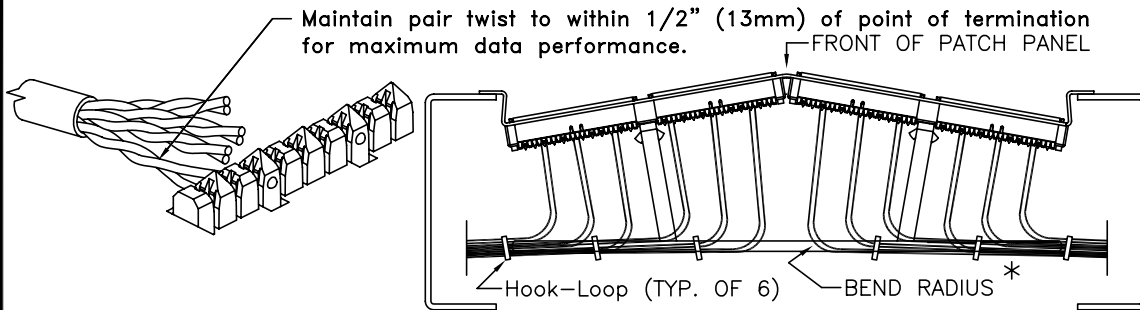
110 PATCH PANEL INSTRUCTIONS:

1. REMOVE 2 WING NUTS.
2. PUT WIRE MANAGEMENT BRACKET OVER THREADED STUDS IN 'B' POSITION.
3. REPLACE 2 WING NUTS. (TIGHTEN AS REQUIRED)
4. AFTER CABLE TERMINATION IS COMPLETED AS RECOMMENDED BELOW ADJUST BRACKET TO 'A' POSITION.



For optimum cable management, the cables should be Routed and Terminated starting from the outside of the patch panel and working to the center.
Note: The cables should be routed from both sides of the Relay Rack rather than from one side only.

Maintain pair twist to within 1/2" (13mm) of point of termination for maximum data performance.



*The recommended Minimum UTP Cable Bend Radius is 4 times the outside Cable Diameter. Hook-Loops should be used to attach the cable to the Wire Management Bracket. Care should be taken to insure the Hook-Loops are not too tight. The cable at the edge of the patch panel should be attached to the cable which has already been secured to the Wire Management Bracket.

INSTRUCTION SHEET NO.	REV	ECN	SHEET	DWN.BY:	DATE	CK. BY	DATE	APP.BY:	DATE
OR-71601517	00		2 OF 2	COLLELO	11/02/06	S.A.L.	06/01/07	M.E.M.	06/01/07