



**ORTRONICS**® 125 EUGENE O'NEILL DRIVE  
NEW LONDON, CT 06320  
TEL: 860-445-3800  
FAX: 860-405-2990

TITLE: CLARITY MAX DENSITY PANELS, PMD SERIES

INSTRUCTION SHEET #: 71601627

REVISION: 02

DATE: 10/15/09

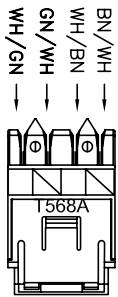
SIDE 1 of 2

**CAUTION: TERMINATE PANEL JACKS PER SPECIFIED WIRING SYSTEM 'T568A' or 'T568B'.**

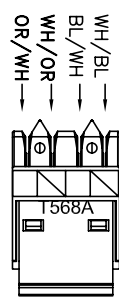
'This device is intended for indoor use on communication loop circuit which have been isolated from the Public Switched Telephone Network'.

T568A WIRING LABEL ON TOP & BOTTOM OF THE JACK

8P8C

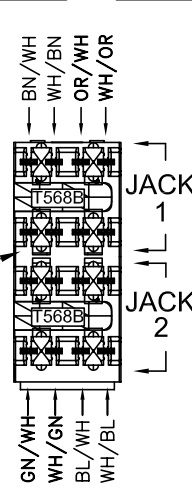


TOP



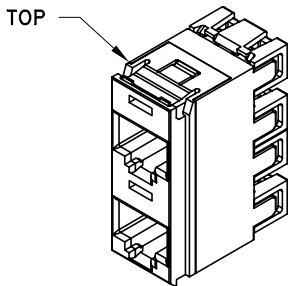
BOTTOM

T568B  
8P8C  
ON REAR  
OF JACK

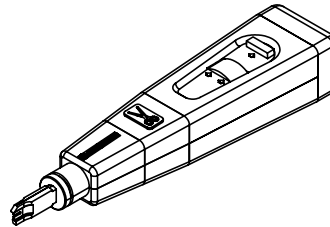


**WIRING CHART**

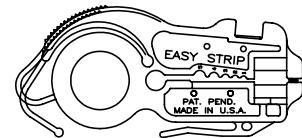
COLOR CODE LABEL	RJ45 8P8C T568A WIRING	RJ45 8P8C T568B WIRING
WHITE/BLUE	5	5
BLUE/WHITE	4	4
WHITE/ORANGE	3	1
ORANGE/WHITE	6	2
WHITE/GREEN	1	3
GREEN/WHITE	2	6
WHITE/BROWN	7	7
BROWN/WHITE	8	8



DUAL PANEL JACK ASSEMBLY



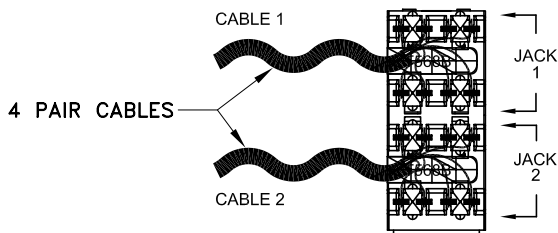
REQUIRED TERMINATION TOOL  
OR-60300005 (TOOL & BLADE)  
OR-60300006 (BLADE ONLY)



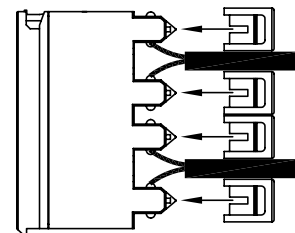
RECOMMENDED STRIPPING TOOL  
OR-60300032 (TOOL)

**Dual Panel Jack Module Termination**

- STEP 1: Strip 2" of cable jacket off station cables.
- STEP 2: Lace wires from cable 1 to the center of the 2 sets of towers for jack 1.  
Note: Jack # and T568B or T568A wiring labels.
- STEP 3: Place Dual Jack on solid flat surface. Using a single wire 110 tool, terminate all 4 pairs of Jack #1 and cable #1. Repeat for Jack #2 and cable #2. Install stuffer caps after terminating all cables.(see diagram below)

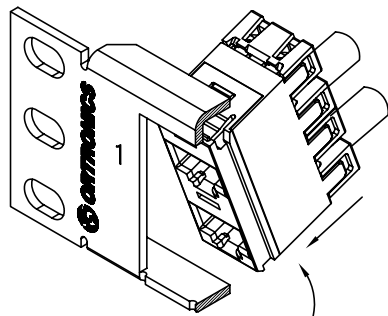


DUAL PANEL JACK BEING TERMINATED

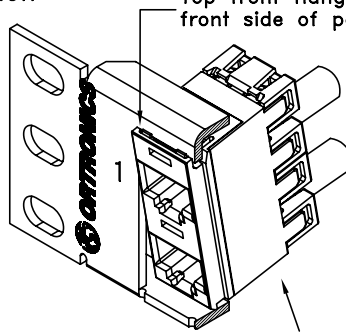




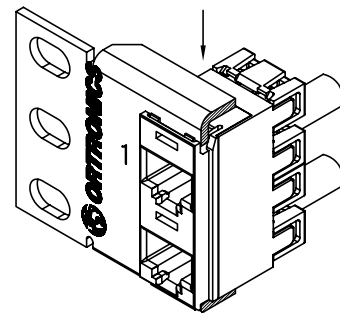
### Dual Jack Panel Module Installation



1  
Pivot Dual jack and slide into opening

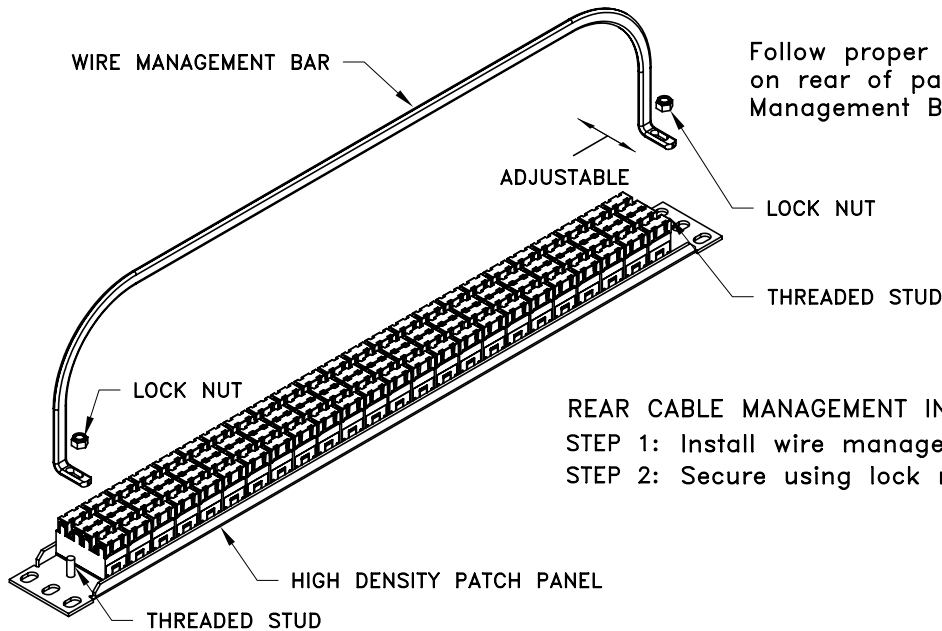


Top front flange on front side of panel  
While pushing upward in panel rotate bottom through opening



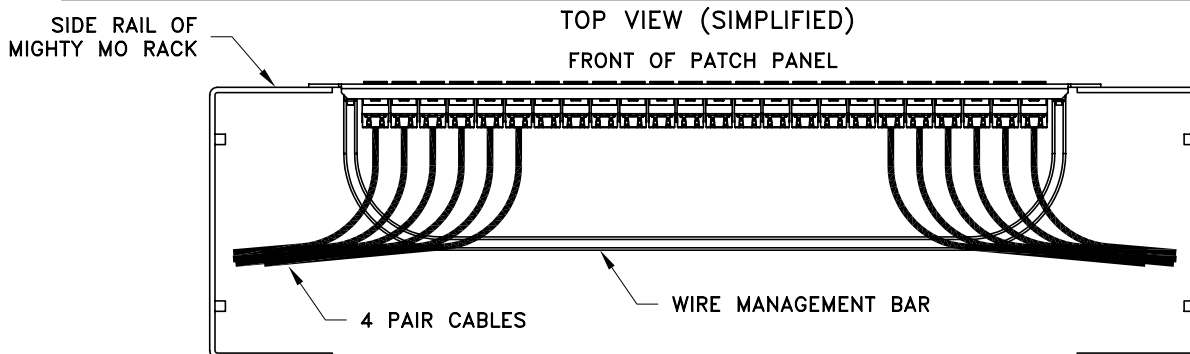
Once its installed push downward to secure Dual jack into panel with bottom flange on front side of panel.

Note: Reverse procedure to remove Dual jack.



Follow proper wire management techniques on rear of panel. Use supplied Cable Management Bar.

REAR CABLE MANAGEMENT INSTALLATION INSTRUCTIONS:  
 STEP 1: Install wire management bar over threaded studs.  
 STEP 2: Secure using lock nuts.



For optimum cable management, the cables should be routed and terminated starting from the outside of the patch panel and working to the center. Note: It is recommended that cables should be routed from both sides of the rack rather than from one side.

The recommended Minimum UTP Cable Bend Radius is 4 times the outside Cable Diameter. Dress cables to cable management bar maintaining min. bend radius of 4 times the cable diameter.

Secure cables with hook-loops (formally known as Velcro). Hook-loops should be used to attach the cables to the wire management bar. Care should be taken to insure the Hook-Loops are not too tight. The cable at the edge of the patch panel should be attached to the cable which has already been secured to the Wire Management Bar.