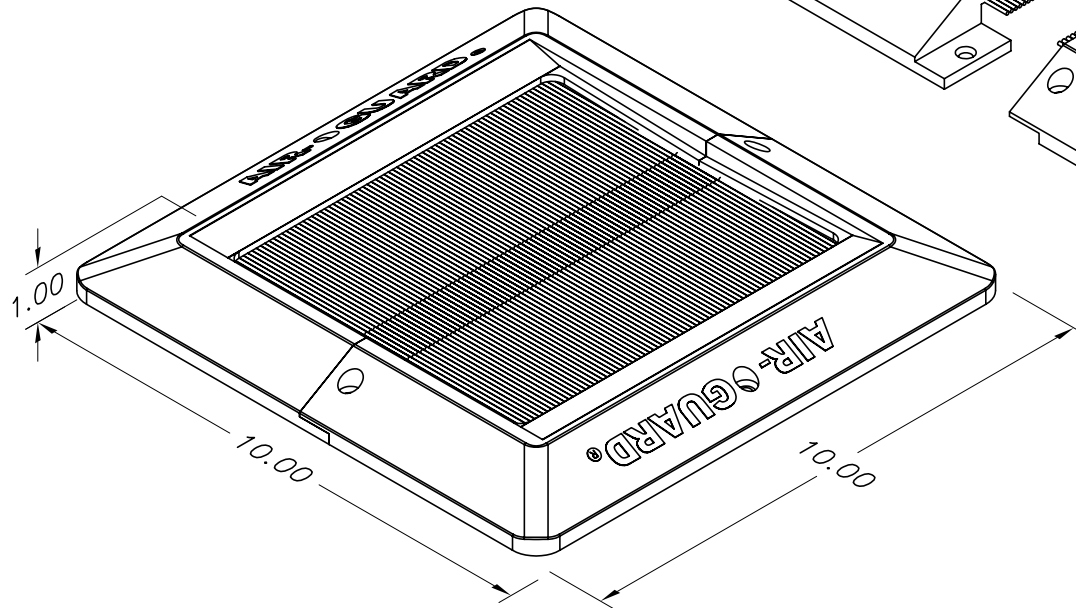
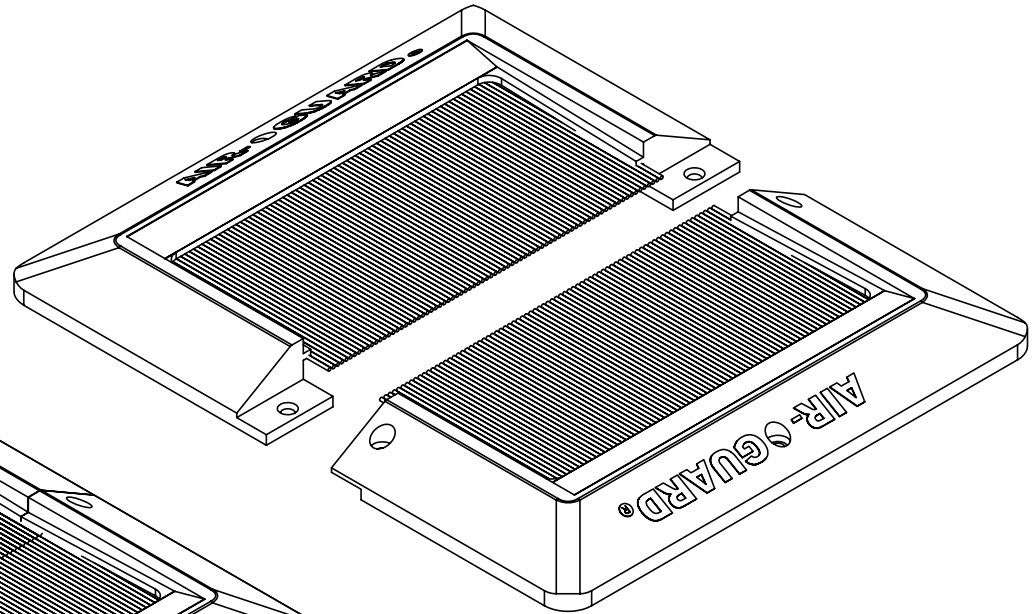


NOTE:
RECOMMENDED OPENING:
7.562 x 7.5



*** NOTICE ***

THIS DOCUMENT CONTAINS CONFIDENTIAL AND/OR PROPRIETARY INFORMATION INTENDED FOR USE ONLY BY THE INDIVIDUAL(S) SPECIFIED HEREIN AND ONLY FOR THE PURPOSE(S) PROVIDED. NEITHER THIS DOCUMENT, NOR ANY INFORMATION CONTAINED HEREIN, MAY BE COPIED, DISTRIBUTED, DISCLOSED TO ANY THIRD PARTY OR USED IN ANY MANNER OTHER THAN FOR WHICH IT HAS BEEN PROVIDED, WITHOUT THE PRIOR WRITTEN CONSENT OF ORTRONICS, INC.



DWN.BY:	JGrasso	DATE	12/11/08
CHK.BY:	C.A.COLLELO	DATE	12/15/08
APP.BY:	A. MURANO	DATE	12/15/08

TITLE			
AIR GUARD [®] BRUSH CABLE GROMMET SURFACE MOUNT, 6" x 7" OPENING			
SIZE	CAD FILE	PART NUMBER	REV
A	BCGSM6X7C	OR-BCGSM6X7	00
SCALE	REL DATE	SHEET	
NONE	12/15/08	1 OF 1	