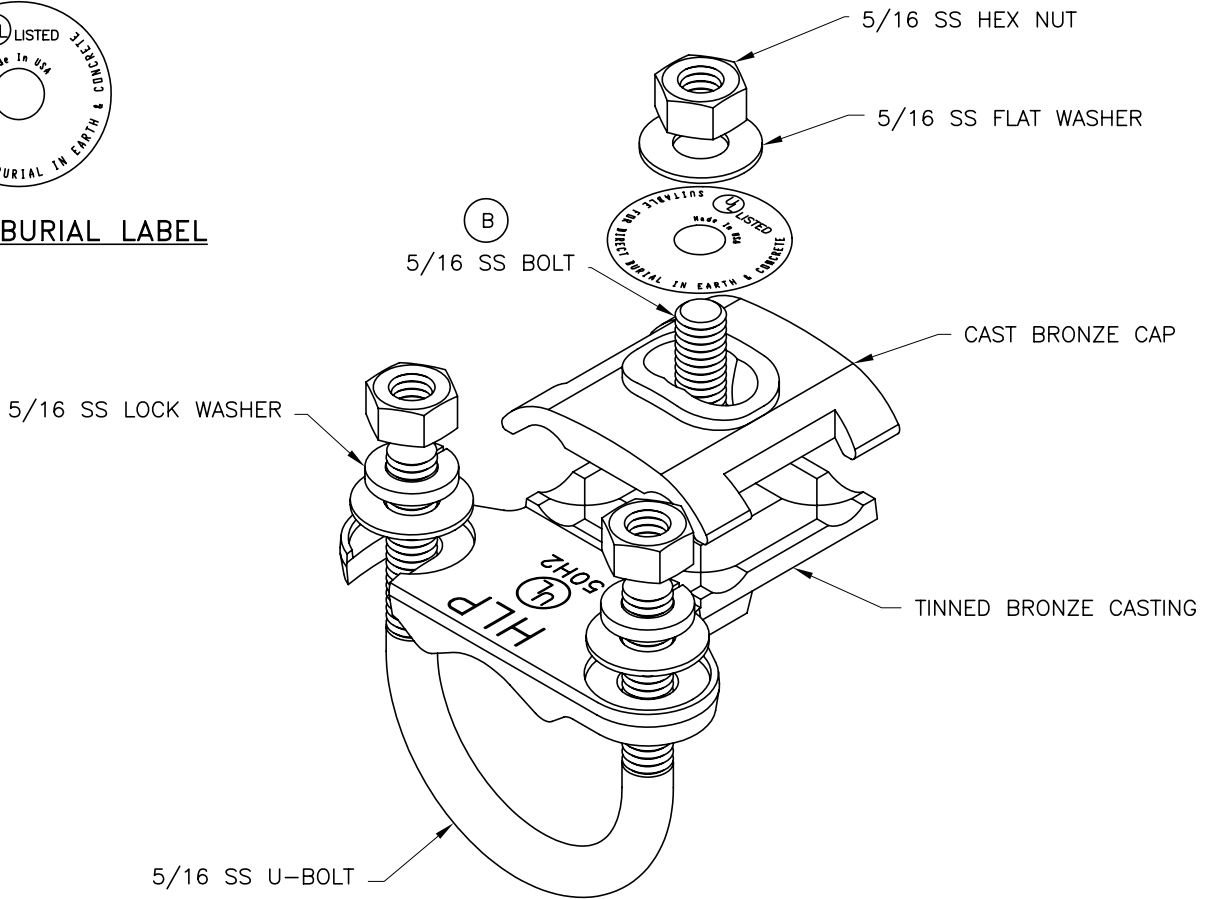




DIRECT BURIAL LABEL



1" - 1 1/4" PIPE CLAMP

*** NOTICE ***
 THIS DOCUMENT CONTAINS CONFIDENTIAL AND/OR PROPRIETARY INFORMATION INTENDED FOR USE ONLY BY THE INDIVIDUAL(S) SPECIFIED HEREIN AND ONLY FOR THE PURPOSE(S) PROVIDED. NEITHER THIS DOCUMENT, NOR ANY INFORMATION CONTAINED HEREIN, MAY BE COPIED, DISTRIBUTED, DISCLOSED TO ANY THIRD PARTY OR USED IN ANY MANNER OTHER THAN FOR WHICH IT HAS BEEN PROVIDED, WITHOUT THE PRIOR WRITTEN CONSENT OF ORTRONICS, INC.



TITLE
 PIPE CLAMP, U-BOLT
 PIPE SIZE 1"-1.25", PK OF 5

DWN.BY: JIM LUCY	DATE: 01/21/08	SIZE: A	CAD FILE: PCU1125C	PART NUMBER: OR-PCU1125	REV: 00
CHK.BY: LEVESQUE	DATE: 02/08/08	SCALE: NONE	REL DATE: 01/21/08	SHEET: 1 OF 1	
APP.BY: M.E.M	DATE: 02/11/08				