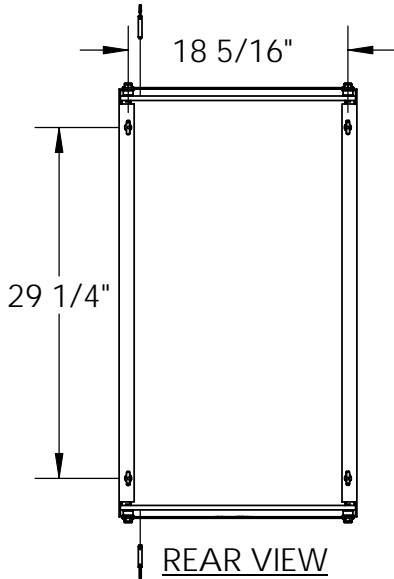


(10) 1/8" X 1" OBOURD HOLES FOR VELCRO CABLE ATTACHMENT

STATIC CAPACITY 75LBS



PART NUMBER DESIGNATIONS

PART NUMBER	"XX" = DEPTH	"X" = FINISH	MOUNTING SPACES
OR-19-35-T8DB	8"	BLACK	19
OR-19-35-T8D	8"	DOVE GRAY	19
OR-19-35-T12DB	12"	BLACK	19
OR-19-35-T12D	12"	DOVE GRAY	19
OR-19-35-T18DB	18"	BLACK	19
OR-19-35-T18D	18"	DOVE GRAY	19
OR-19-35-T25DB	25"	BLACK	19
OR-19-35-T25D	25"	DOVE GRAY	19

*** NOTICE ***
 THIS DOCUMENT CONTAINS CONFIDENTIAL AND/OR PROPRIETARY INFORMATION INTENDED FOR USE ONLY BY THE INDIVIDUAL(S) PROVIDED. NEITHER THIS DOCUMENT, NOR ANY INFORMATION CONTAINED HEREIN, MAY BE COPIED, DISTRIBUTED, DISCLOSED TO ANY THIRD PARTY OR USED IN ANY MANNER OTHER THAN FOR WHICH IT HAS BEEN PROVIDED, WITHOUT THE PRIOR WRITTEN CONSENT OF ORTRONICS, INC. MANUFACTURING RELEASE, PRODUCT SPECIFICATIONS AND STANDARDS ARE SUBJECT TO CHANGE WITHOUT NOTICE.

ORTRONICS
 125 EUGENE O'NEILL DRIVE
 NEW LONDON, CT 06320
 TEL: 860-445-3800
 FAX: 860-405-2990
 WWW.ORTRONICS.COM

TITLE
 SWING-EZ RACK 8, 12, 18, 25" DEEP - 35" TALL

	NAME	DATE	SIZE	CAD FILE	DWG NO	REV
DWN	C.VACCA	04/24/08	A	1935TXXDXC	OR-19-35-TXXDX	03
CHK	S.A.L.	09/09/08	SCALE	NONE	WEIGHT	SHEET
APPR	A.M.	09/17/08				1 OF 1