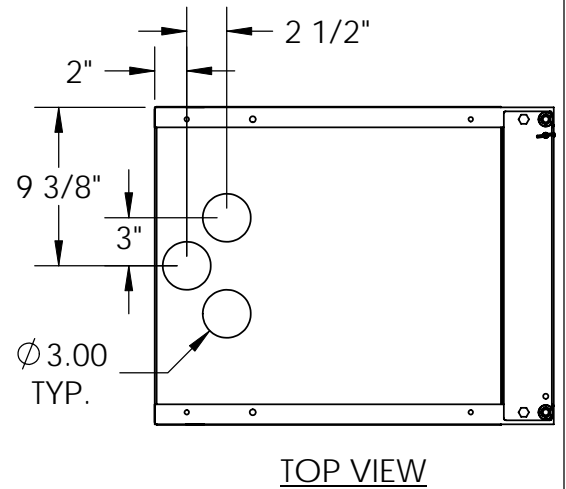
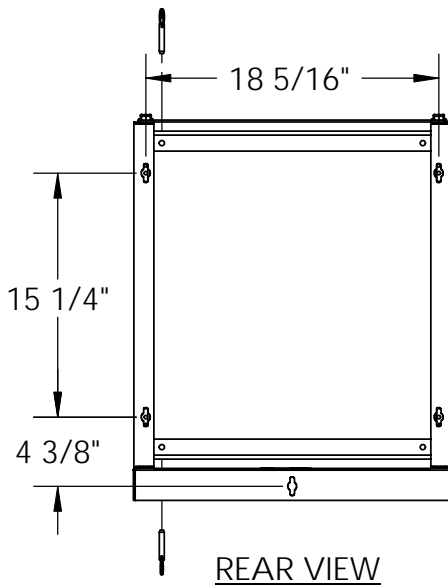
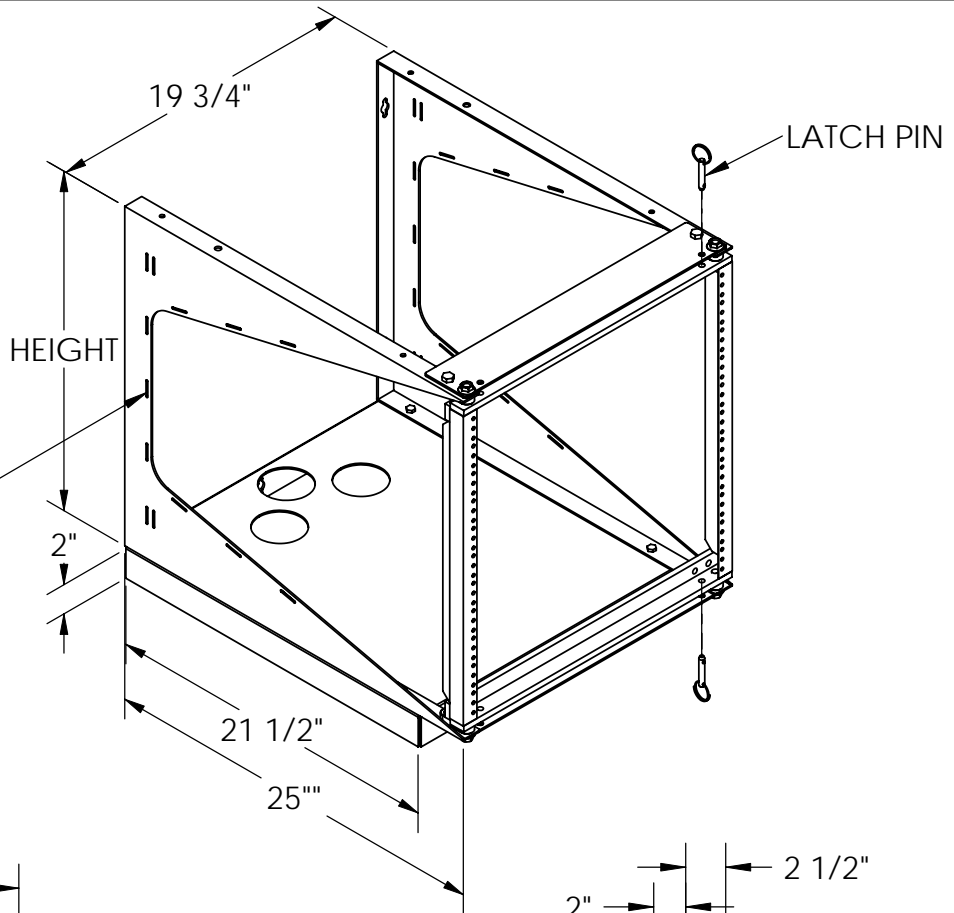


(13) 1/8" X 1" OBOURND HOLES FOR VELCRO CABLE ATTACHMENT



STATIC CAPACITY 150LBS

PART NUMBER DESIGNATIONS			
PART NUMBER	"XX" = HEIGHT	"X" = FINISH	MOUNTING SPACES
OR-19-21-T25DHYDTB	21"	BLACK	11
OR-19-21-T25DHYDT	21"	DOVE GRAY	11
OR-19-35-T25DHYDTB	35"	BLACK	19
OR-19-35-T25DHYDT	35"	DOVE GRAY	19

*** NOTICE ***
 THIS DOCUMENT CONTAINS CONFIDENTIAL AND/OR PROPRIETARY INFORMATION INTENDED FOR USE ONLY BY THE INDIVIDUAL(S) PROVIDED. NEITHER THIS DOCUMENT, NOR ANY INFORMATION CONTAINED HEREIN, MAY BE COPIED, DISTRIBUTED, DISCLOSED TO ANY THIRD PARTY OR USED IN ANY MANNER OTHER THAN FOR WHICH IT HAS BEEN PROVIDED, WITHOUT THE PRIOR WRITTEN CONSENT OF ORTRONICS, INC. MANUFACTURING RELEASE, PRODUCT SPECIFICATIONS AND STANDARDS ARE SUBJECT TO CHANGE WITHOUT NOTICE.



125 EUGENE O'NEILL DRIVE
 NEW LONDON, CT 06320
 TEL: 860-445-3800
 FAX: 860-405-2990
 WWW.ORTRONICS.COM

TITLE
 HEAVY DUTY SWING-EZ RACK 25 DEEP - 21 & 35 TALL

	NAME	DATE	SIZE	CAD FILE	DWG NO	REV
DWN	C.VACCA	04/24/08	A	19XXT25DHYDTXC	OR-19-XX-T25DHYDTX	02
CHK	S.A.L.	09/09/08	SCALE	NONE	WEIGHT	SHEET
APPR	A.M.	09/17/08				1 OF 1