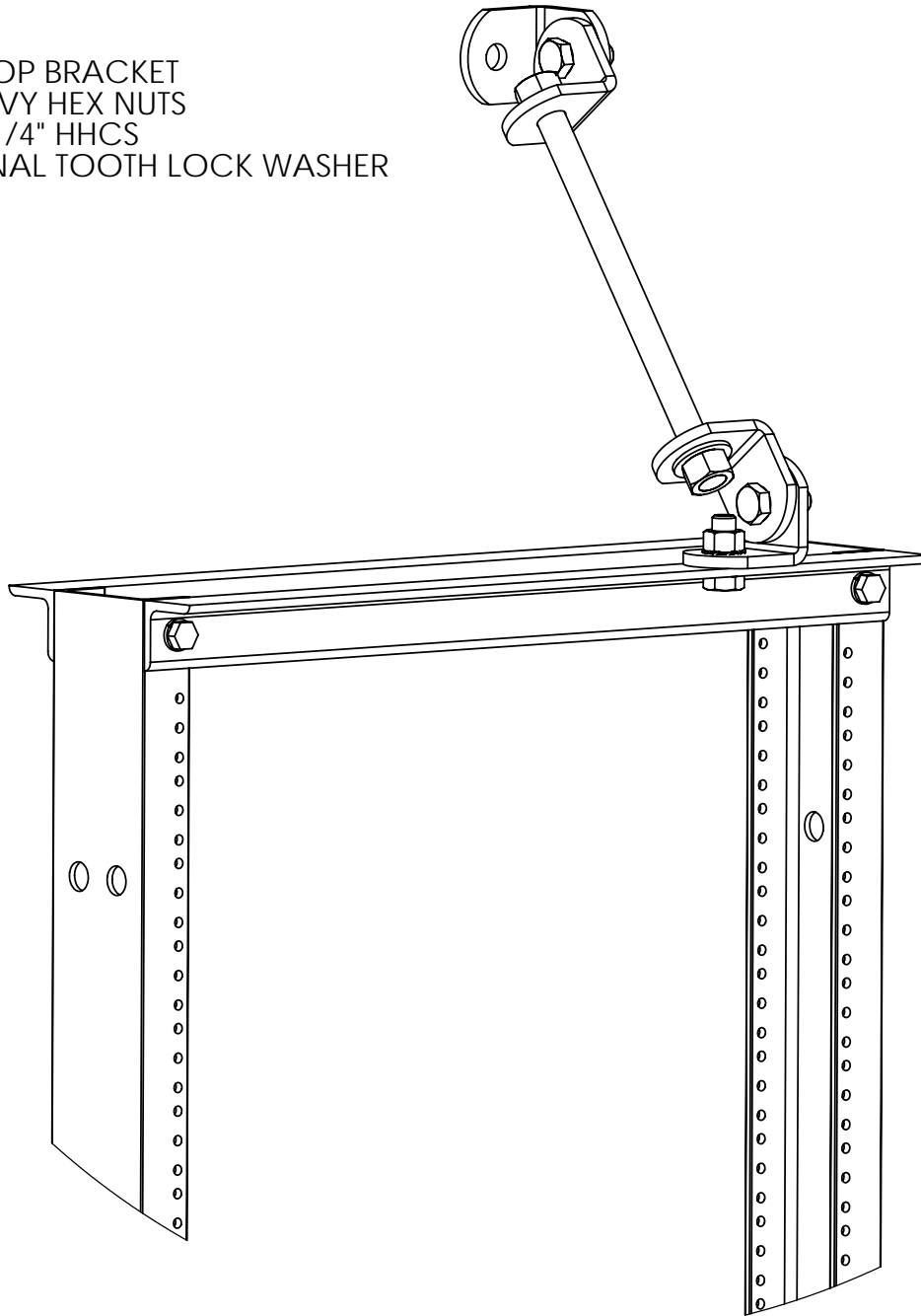



KIT INCLUDES:

- 4x ANGLE DROP BRACKET
- 2x 1/2-13 HEAVY HEX NUTS
- 2x 1/2-13 x 1-1/4" HHCS
- 2x 1/2" EXTERNAL TOOTH LOCK WASHER



DRILL 21/32 (.656) HOLE IN THE TOP ANGLE OF THE RACK.
 ATTACH BRACKETS TO BOTH ENDS OF A 5/8-11 THREADED ROD (ORDERED SEPERATELY).
 BRACE ASSEMBLY TO BEAM COLUMN OF LOAD BEARING WALL WITH SUITABLE HARDWARE (NOT INCLUDED).

| | | | | | | |
|--|------|----------|--|----------|--|-----|
| <p>*** NOTICE ***</p> <p>THIS DOCUMENT CONTAINS CONFIDENTIAL AND/OR PROPRIETARY INFORMATION INTENDED FOR USE ONLY BY THE INDIVIDUAL(S) PROVIDED. NEITHER THIS DOCUMENT, NOR ANY INFORMATION CONTAINED HEREIN, MAY BE COPIED, DISTRIBUTED, DISCLOSED TO ANY THIRD PARTY OR USED IN ANY MANNER OTHER THAN FOR WHICH IT HAS BEEN PROVIDED, WITHOUT THE PRIOR WRITTEN CONSENT OF ORTRONICS, INC. MANUFACTURING RELEASE, PRODUCT SPECIFICATIONS AND STANDARDS ARE SUBJECT TO CHANGE WITHOUT NOTICE.</p> | | |  | | <p>125 EUGENE O'NEILL DRIVE NEW LONDON, CT 06320 TEL: 860-445-3800 FAX: 860-405-2990 WWW.ORTRONICS.COM</p> | |
| | | | <p>TITLE</p> <p style="text-align: center;">HOMACO EARTHQUAKE BRACE KIT</p> | | | |
| | NAME | DATE | SIZE | CAD FILE | DWG NO | REV |
| DWN | HJK | 09/29/08 | A | Z4RRWCC | OR-Z4-RR-WC | 01 |
| CHK | | | SCALE | WEIGHT | SHEET | |
| APPR | | | NONE | | 1 OF 1 | |