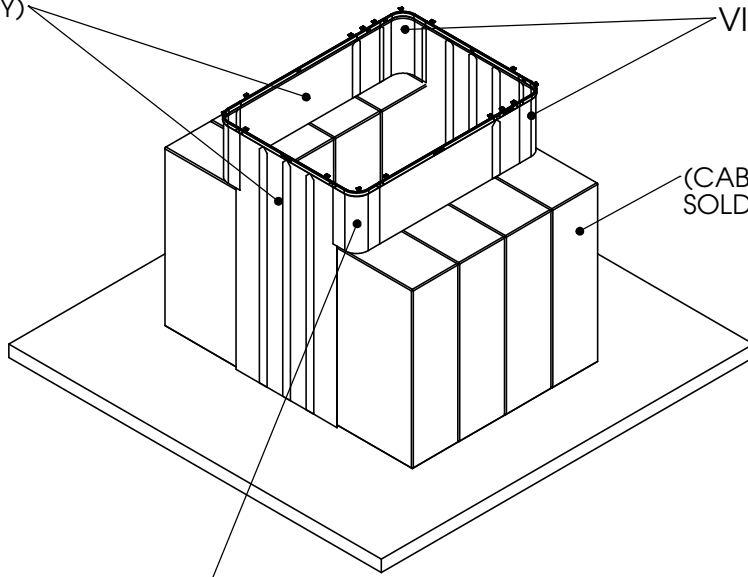


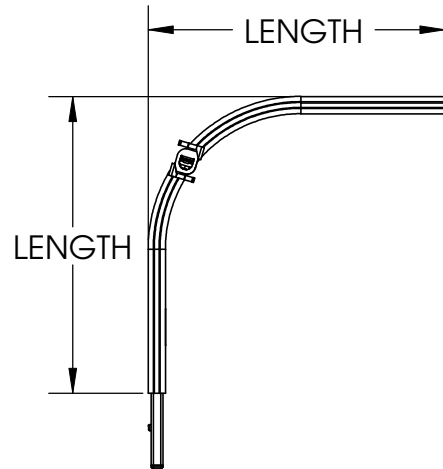
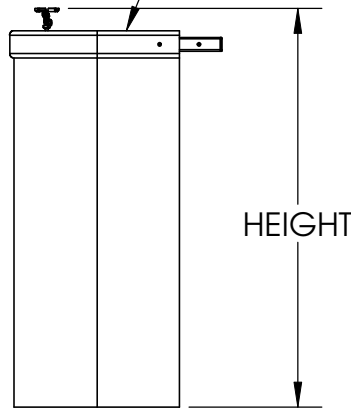
(VINYL STRIP PANELS AND DOORS SOLD SEPARATELY)

VINYL CORNER PANELS

(CABINETS SOLD SEPARATELY)



(OR-MMACNCP29X12 SHOWN FOR REF.)



PART NUMBER DESIGNATIONS		
ORTRONICS PART #	"XXX" = HEIGHT	"YY" = LENGTH
OR-MMACNCP29X12	29"	12"
OR-MMACNCP56X12	56"	12"
OR-MMACNCP98X12	98"	12"
OR-MMACNCP110X12	110"	12"
OR-MMACNCP122X12	122"	12"
OR-MMACNCP146X12	146"	12"
OR-MMACNCP182X12	182"	12"

CORNER PANEL KIT INCLUDES:  
 (1) CLEAR ALUMINUM CORNER TRACK (12" X 12")  
 (1) VINYL CURTAIN (PER HEIGHT)  
 (1) JOINING SPLICER  
 (1) FIRE LINK BETWEEN TRACK AND CEILING

\*\*\* NOTICE \*\*\*  
 THIS DOCUMENT CONTAINS CONFIDENTIAL AND/OR PROPRIETARY INFORMATION INTENDED FOR USE ONLY BY THE INDIVIDUAL(S) PROVIDED. NEITHER THIS DOCUMENT, NOR ANY INFORMATION CONTAINED HEREIN, MAY BE COPIED, DISTRIBUTED, DISCLOSED TO ANY THIRD PARTY OR USED IN ANY MANNER OTHER THAN FOR WHICH IT HAS BEEN PROVIDED, WITHOUT THE PRIOR WRITTEN CONSENT OF ORTRONICS, INC. MANUFACTURING RELEASE, PRODUCT SPECIFICATIONS AND STANDARDS ARE SUBJECT TO CHANGE WITHOUT NOTICE.



125 EUGENE O'NEILL DRIVE  
 NEW LONDON, CT 06320  
 TEL: 860-445-3800  
 FAX: 860-405-2990  
 WWW.ORTRONICS.COM

TITLE  
**MM AIR CURTAIN, VINYL CORNER PANEL W/ FUSIBLE LINK AND SPLICER**

	NAME	DATE	SIZE	CAD FILE	DWG NO	REV
DWN	C.VACCA	01/14/11	A	MMACNCPXXXxYYC	OR-MMACNCPXXXxYY	00
CHK	J. LUCY	02/09/11	SCALE	NONE	WEIGHT	SHEET
APPR	A.M.	02/10/11				1 OF 1