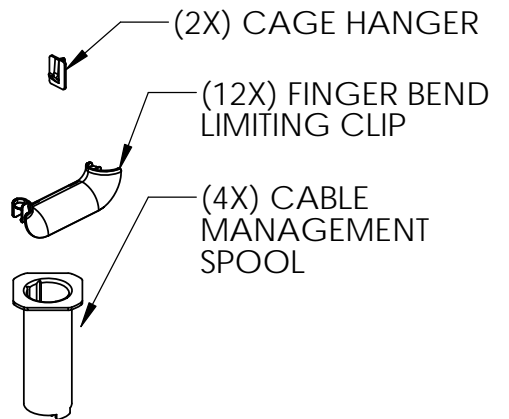


KIT ALSO INCLUDES:



NOTE: MOUNTING HARDWARE INCLUDED

*** NOTICE ***
 THIS DOCUMENT CONTAINS CONFIDENTIAL AND/OR PROPRIETARY INFORMATION INTENDED FOR USE ONLY BY THE INDIVIDUAL(S) PROVIDED. NEITHER THIS DOCUMENT, NOR ANY INFORMATION CONTAINED HEREIN, MAY BE COPIED, DISTRIBUTED, DISCLOSED TO ANY THIRD PARTY OR USED IN ANY MANNER OTHER THAN FOR WHICH IT HAS BEEN PROVIDED, WITHOUT THE PRIOR WRITTEN CONSENT OF ORTRONICS, INC. MANUFACTURING RELEASE, PRODUCT SPECIFICATIONS AND STANDARDS ARE SUBJECT TO CHANGE WITHOUT NOTICE.



125 EUGENE O'NEILL DRIVE
 NEW LONDON, CT 06320
 TEL: 860-445-3800
 FAX: 860-405-2990
 WWW.ORTRONICS.COM

TITLE
 MM20, 6" VERTICAL CABLE MGMT CAGE 6" X 8.37" X 77.19" W/SPLIT COVERS

	NAME	DATE	SIZE	CAD FILE	DWG NO	REV
DWN	JH	5/12/2014	A	MM20VMS706XC	OR-MM20VMS706-X	00
CHK	JQ	5/12/2014	SCALE	NONE	WEIGHT	SHEET
APPR	CV	5/15/2014				1 OF 1