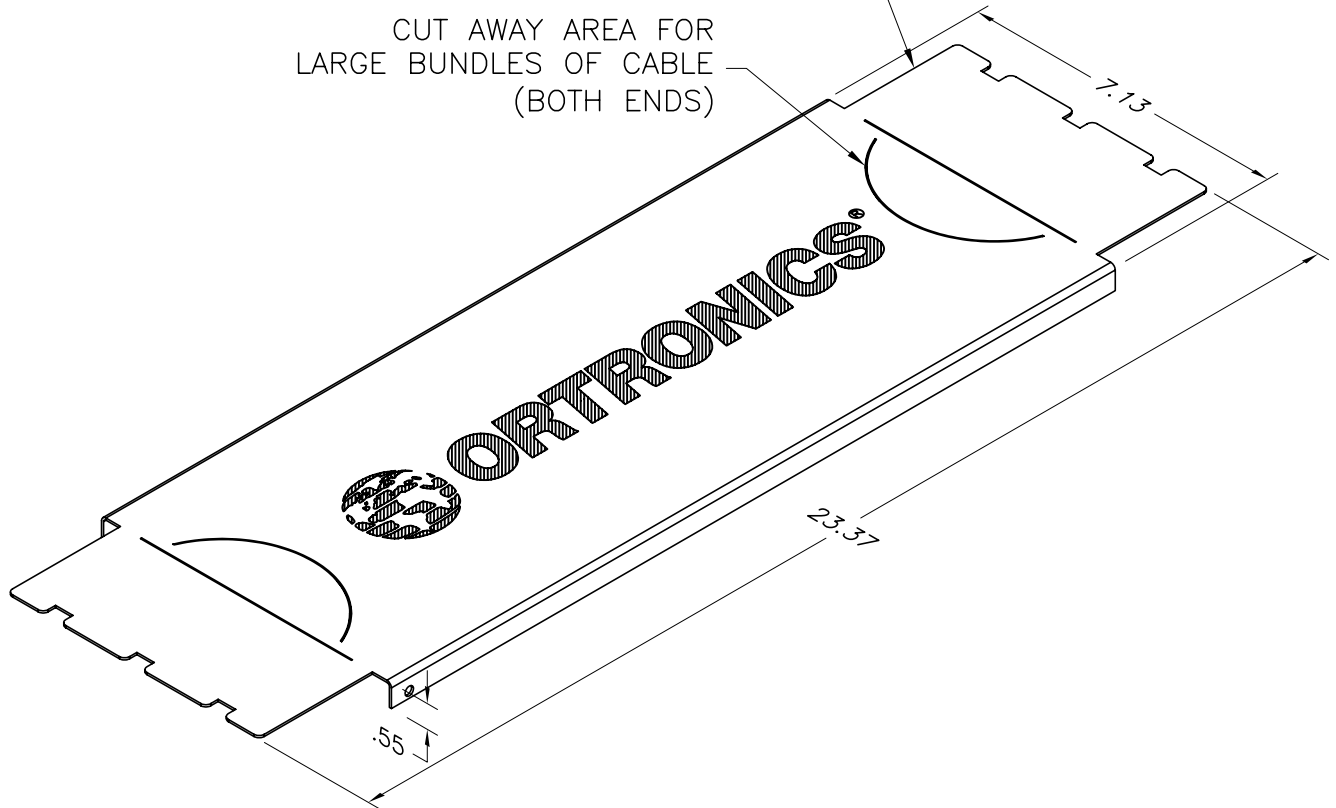


INNER CHANNEL COVER CAN BE BENT UP OR DOWN FOR CABLE ACCESS (BOTH ENDS)

CUT AWAY AREA FOR LARGE BUNDLES OF CABLE (BOTH ENDS)



NOTE:
FOR LARGE BUNDLES OF CABLE REMOVE INNER CHANNEL COVER.
PROTECTIVE EDGE GUARD SUPPLIED IF CUT AWAY IS USED.

*** NOTICE ***

THIS DOCUMENT CONTAINS CONFIDENTIAL AND/OR PROPRIETARY INFORMATION INTENDED FOR USE ONLY BY THE INDIVIDUAL(S) SPECIFIED HEREIN AND ONLY FOR THE PURPOSE(S) PROVIDED. NEITHER THIS DOCUMENT, NOR ANY INFORMATION CONTAINED HEREIN, MAY BE COPIED, DISTRIBUTED, DISCLOSED TO ANY THIRD PARTY OR USED IN ANY MANNER OTHER THAN FOR WHICH IT HAS BEEN PROVIDED, WITHOUT THE PRIOR WRITTEN CONSENT OF ORTRONICS, INC.



TITLE
MM6 6.50" INNER CHANNEL COVER

| | | | |
|---------|-------------|------|----------|
| DWN.BY: | S. LEVESQUE | DATE | 07/11/06 |
| CHK.BY: | JL | DATE | 07/11/06 |
| APP.BY: | MEM | DATE | 07/11/06 |

| | | | |
|-------|-----------|-------------|-----|
| SIZE | CAD FILE | PART NUMBER | REV |
| A | MM6BDC06C | OR-MM6BDC06 | 00 |
| SCALE | REL DATE | SHEET | |
| NONE | 07/11/06 | 1 OF 1 | |