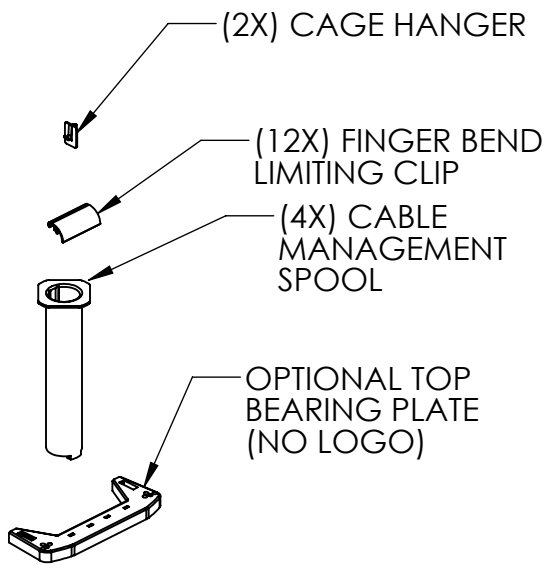


KIT ALSO INCLUDES:



NOTE: MOUNTING HARDWARE INCLUDED

\*\*\* NOTICE \*\*\*  
 THIS DOCUMENT CONTAINS CONFIDENTIAL AND/OR PROPRIETARY INFORMATION INTENDED FOR USE ONLY BY THE INDIVIDUAL(S) PROVIDED. NEITHER THIS DOCUMENT, NOR ANY INFORMATION CONTAINED HEREIN, MAY BE COPIED, DISTRIBUTED, DISCLOSED TO ANY THIRD PARTY OR USED IN ANY MANNER OTHER THAN FOR WHICH IT HAS BEEN PROVIDED, WITHOUT THE PRIOR WRITTEN CONSENT OF ORTRONICS, INC. MANUFACTURING RELEASE, PRODUCT SPECIFICATIONS AND STANDARDS ARE SUBJECT TO CHANGE WITHOUT NOTICE.



125 EUGENE O'NEILL DRIVE  
 NEW LONDON, CT 06320  
 TEL: 860-445-3800  
 FAX: 860-405-2990  
 WWW.ORTRONICS.COM

TITLE  
 MM6 VERTICAL CABLE MANAGEMENT CAGE  
 10.50 X 13.00 X 77.62

	NAME	DATE	SIZE	CAD FILE	DWG NO	REV
DWN	S. LEVESQUE	11/07/03	A	MM6VMD710C	OR-MM6VMD710	16
CHK	C. COLLELO	09/02/05	SCALE	NONE	WEIGHT	SHEET
APPR	M. MARTICH	09/06/05				1 OF 1