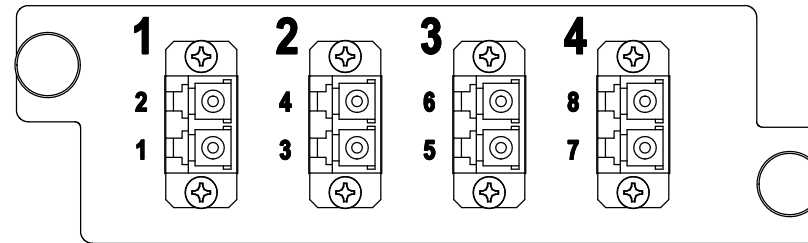
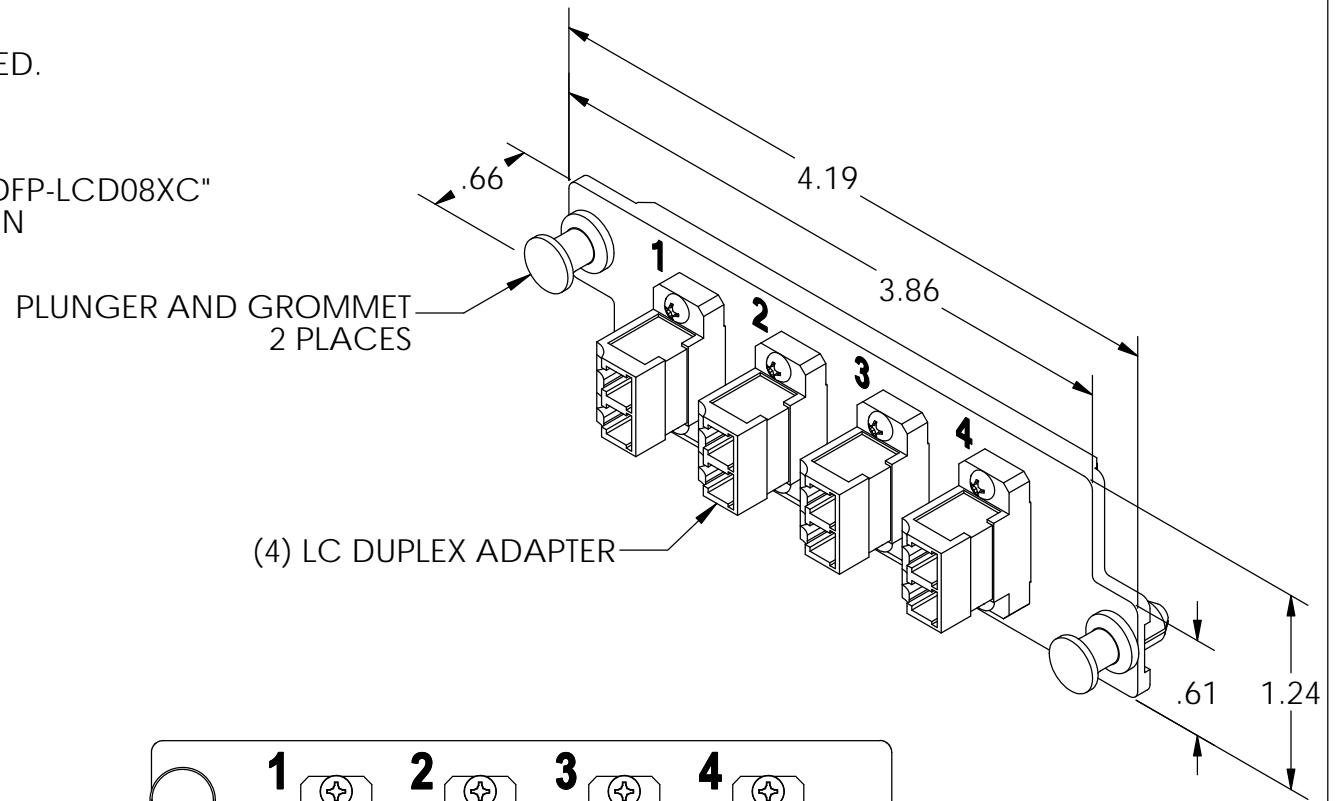


NOTES, UNLESS OTHERWISE SPECIFIED:

1. DUST CAPS ARE PROVIDED INSTALLED.
2. DIMENSIONS ARE IN INCHES.
3. THE "X" IN THE PART NUMBER "OR-HDFP-LCD08XC" DESIGNATES THE ADAPTER COLOR IN ACCORDANCE WITH TABLE 1.



"X"	COLOR
A	BLUE
B	ORANGE
C	GREEN
D	BROWN
E	SLATE
F	WHITE
G	RED
H	BLACK
I	YELLOW
J	VIOLET
K	ROSE
L	AQUA
M	BEIGE
N	ERIKA VIOLET
P	DK. GREEN
W	PURPLE

<p>*** NOTICE ***</p> <p>THIS DOCUMENT CONTAINS CONFIDENTIAL AND/OR PROPRIETARY INFORMATION INTENDED FOR USE ONLY BY THE INDIVIDUAL(S) PROVIDED. NEITHER THIS DOCUMENT, NOR ANY INFORMATION CONTAINED HEREIN, MAY BE COPIED, DISTRIBUTED, DISCLOSED TO ANY THIRD PARTY OR USED IN ANY MANNER OTHER THAN FOR WHICH IT HAS BEEN PROVIDED, WITHOUT THE PRIOR WRITTEN CONSENT OF ORTRONICS, INC. MANUFACTURING RELEASE, PRODUCT SPECIFICATIONS AND STANDARDS ARE SUBJECT TO CHANGE WITHOUT NOTICE.</p>					<p>125 EUGENE O'NEILL DRIVE NEW LONDON, CT 06320 TEL: 860-445-3800 FAX: 860-405-2990 WWW.ORTRONICS.COM</p>	
TITLE			PANEL ASSY, LC DUPLEX, H.D, CERAMIC			
NAME	DATE	SIZE	CAD FILE	DWG NO	REV	
DWN NR	6/13/2016	A	HDFPLCD08XCC	OR-HDFP-LCD08XC	00	
CHK RJG	6/14/2016	SCALE	WEIGHT	SHEET		
APPR RAM	11/3/2016	1:1		1 OF 1		