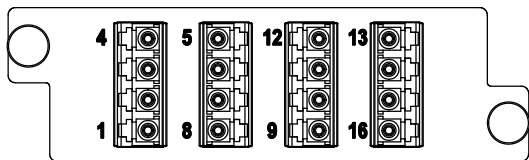
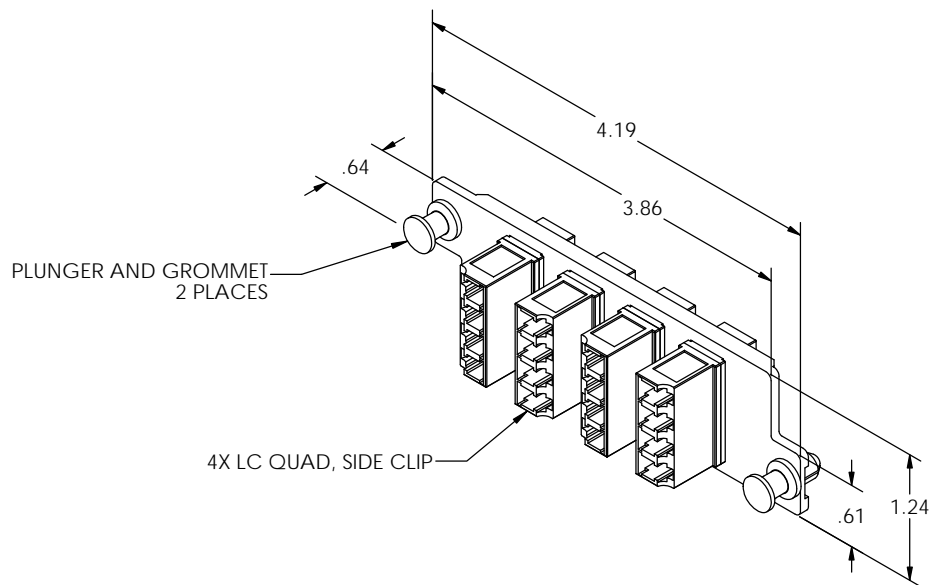


NOTES, UNLESS OTHERWISE SPECIFIED:

1. DUST CAPS ARE PROVIDED INSTALLED.
2. DIMENSIONS ARE IN INCHES.
3. THE "X" IN THE PART NUMBER "OR-HDFP-LCQ16XC" DESIGNATES THE ADAPTER COLOR IN ACCORDANCE WITH TABLE 1.



"X"	COLOR
A	BLUE
B	ORANGE
C	GREEN
D	BROWN
E	SLATE
F	WHITE
G	RED
H	BLACK
I	YELLOW
J	VIOLET
K	ROSE
L	AQUA
M	BEIGE
N	ERIKA VIOLET



<p>*** NOTICE *** THIS DOCUMENT CONTAINS CONFIDENTIAL AND/OR PROPRIETARY INFORMATION INTENDED FOR USE ONLY BY THE INDIVIDUAL(S) PROVIDED. NEITHER THIS DOCUMENT, NOR ANY INFORMATION CONTAINED HEREIN, MAY BE COPIED, DISTRIBUTED, DISCLOSED TO ANY THIRD PARTY OR USED IN ANY MANNER OTHER THAN FOR WHICH IT HAS BEEN PROVIDED, WITHOUT THE PRIOR WRITTEN CONSENT OF ORTRONICS, INC. MANUFACTURING RELEASE. PRODUCT SPECIFICATIONS AND STANDARDS ARE SUBJECT TO CHANGE WITHOUT NOTICE.</p>			<p>125 EUGENE O'NEILL DRIVE NEW LONDON, CT 06320 TEL: 860-445-3800 FAX: 860-405-2990 WWW.ORTRONICS.COM</p>			
<p>TITLE PANEL ASSY, LC QUAD H.D, CERAMIC</p>						
	NAME	DATE	SIZE	CAD FILE	DWG NO	REV
DWN	NR	6/14/2016	B	HDFPLCQ16XCC	OR-HDFP-LCQ16XC	00
CHK	RJG	6/14/2016	SCALE 1:1		WEIGHT	SHEET 1 OF 1
APPR	RAM	11/3/2016				