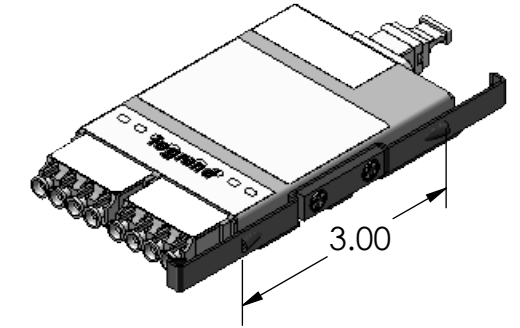


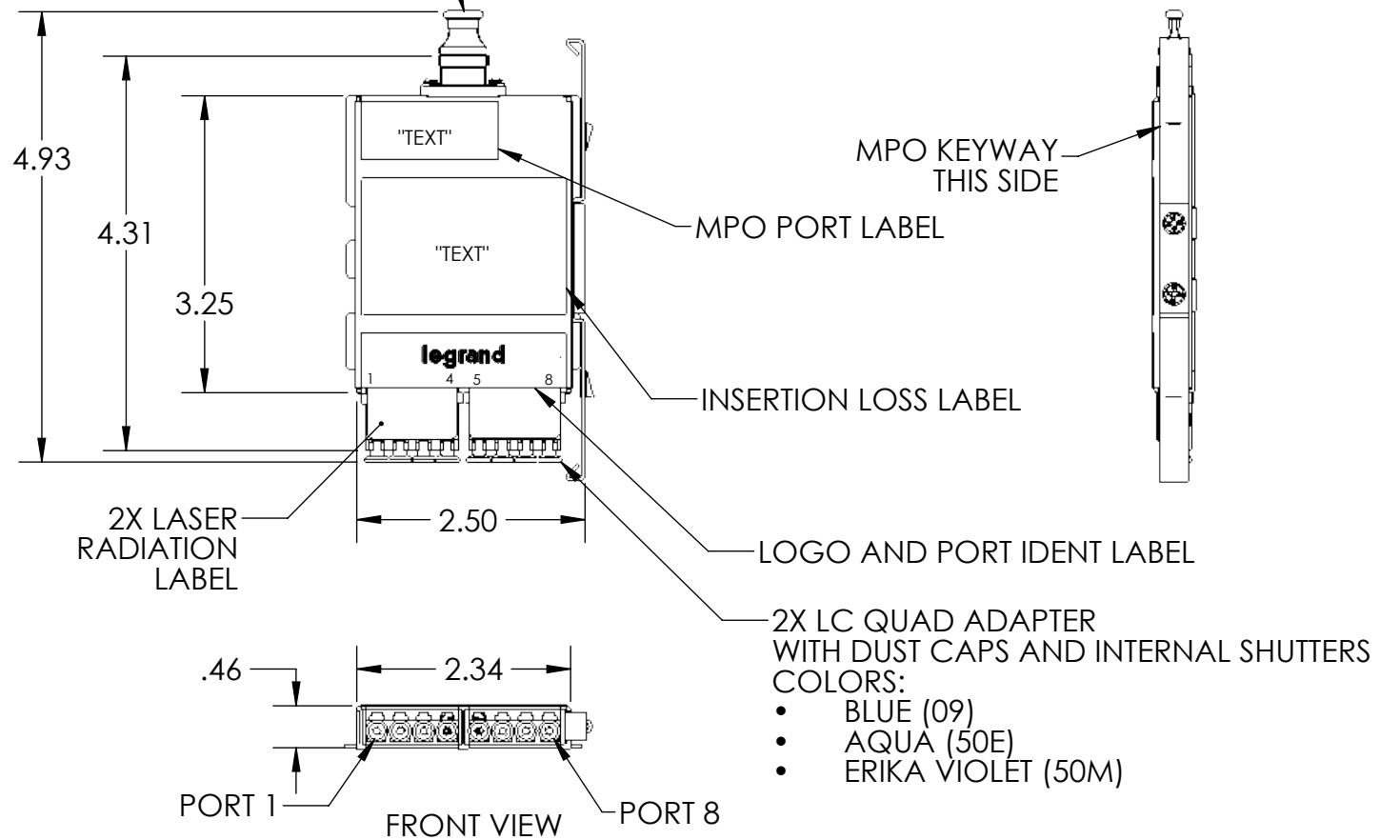
NOTES: UNLESS OTHERWISE SPECIFIED

- OPTICAL PERFORMANCE CHARACTERISTICS SHALL BE IN ACCORDANCE WITH LEGRAND SPECIFICATION 71800061C.
- THE "GGG" SUFFIX IN THE PART NUMBER DESIGNATES THE FIBER CORE SIZE, SEE TABLE 1.
- A LABEL SHOWING THE INSERTION LOSS VALUES, BY PORT, PROVIDED ASSEMBLED TO THE CASSETTE.
- THE CASSETTE HOUSING IS METAL, PAINTED BLACK.
- THE MPO PORT LABEL IDENTIFIES THE MODE, CORE SIZE & POLARITY OF THE ASSEMBLY.
- ALL DIMENSIONS ARE IN INCHES.



MPO "TYPE A" ADAPTER WITH DUST CAP  
COLOR:  

- GREEN (09)
- AQUA (50E)
- ERIKA VIOLET (50M)

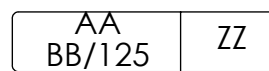


"GGG"	TYPE	"Y"	TIER
09	SM 9/125	NONE	1
		1	1
		2	2
50E	MM 50/125 (4.9 GHz-km)	2	2
		NONE	3
		3	3
50M	MM 50/125 (5.5 GHz-km)	4	4

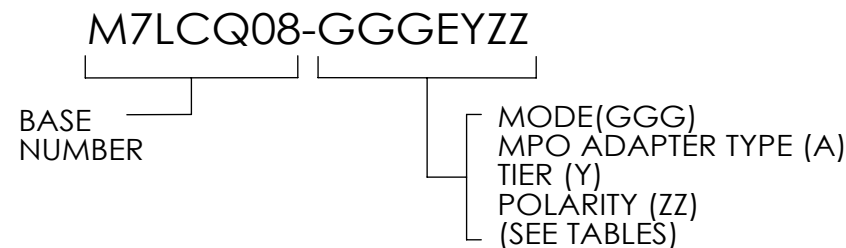
INTERNAL FIBER CONNECTIONS POLARITY INDICATOR "ZZ" = G2	
LC FRONT PANEL	MPO REAR PANEL
PORT #	FIBER POS#
1	1
3	2
5	3
7	4
8	9
6	10
4	11
2	12

"GGG"	"AA"	"BB"
09	SM	9
50E	MM	50
50M	MM	50

"ZZ"	POLARITY
G2	40GbE TO 10GbE TYPE 2



EXAMPLE OF PORT IDENT LABEL



PART NUMBER LEGEND

\*\*\* NOTICE \*\*\*  
 THIS DOCUMENT CONTAINS CONFIDENTIAL AND/OR PROPRIETARY INFORMATION INTENDED FOR USE ONLY BY THE INDIVIDUAL(S) PROVIDED. NEITHER THIS DOCUMENT, NOR ANY INFORMATION CONTAINED HEREIN, MAY BE COPIED, DISTRIBUTED, DISCLOSED TO ANY THIRD PARTY OR USED IN ANY MANNER OTHER THAN FOR WHICH IT HAS BEEN PROVIDED, WITHOUT THE PRIOR WRITTEN CONSENT OF LEGRAND

	NAME	DATE
DWN	RJG	5/2/2016
CHK	NR	5/2/2016
APPR	MW	5/4/2016

		125 EUGENE O'NEILL DRIVE NEW LONDON, CT 06320 TEL: 860-445-3800 FAX: 860-405-2990 WWW.ORTRONICS.COM	
TITLE CASSETTE, M7, LCQ, 8F, LC/MPO-F, 40GbE TO 10GbE, .3U			
SIZE	CAD FILE	DWG NO	REV
B	M7LCQ08GGGEYZZC	M7LCQ08-GGGEYZZ	02
SCALE	SHEET		1 OF 1
1:2			