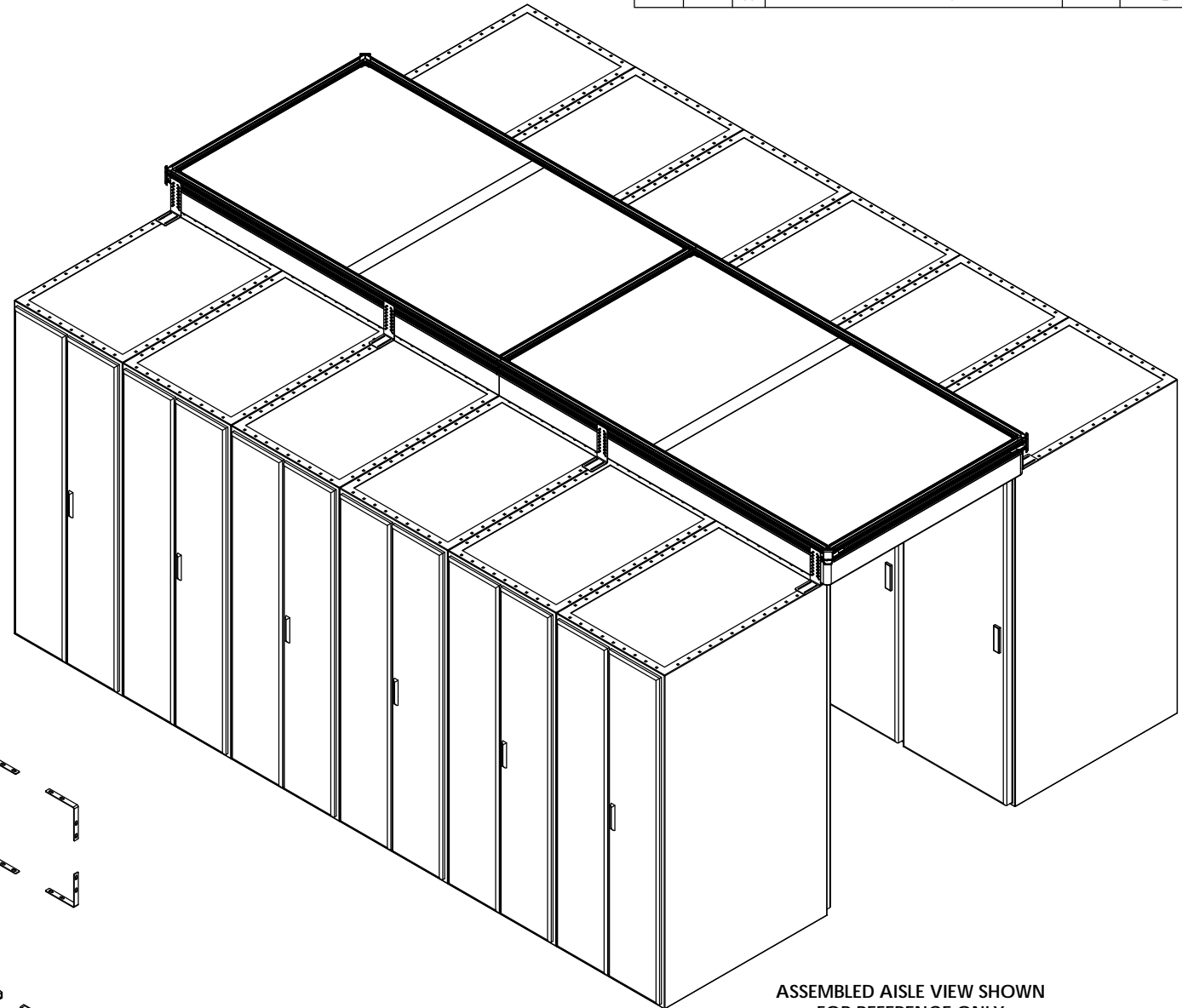
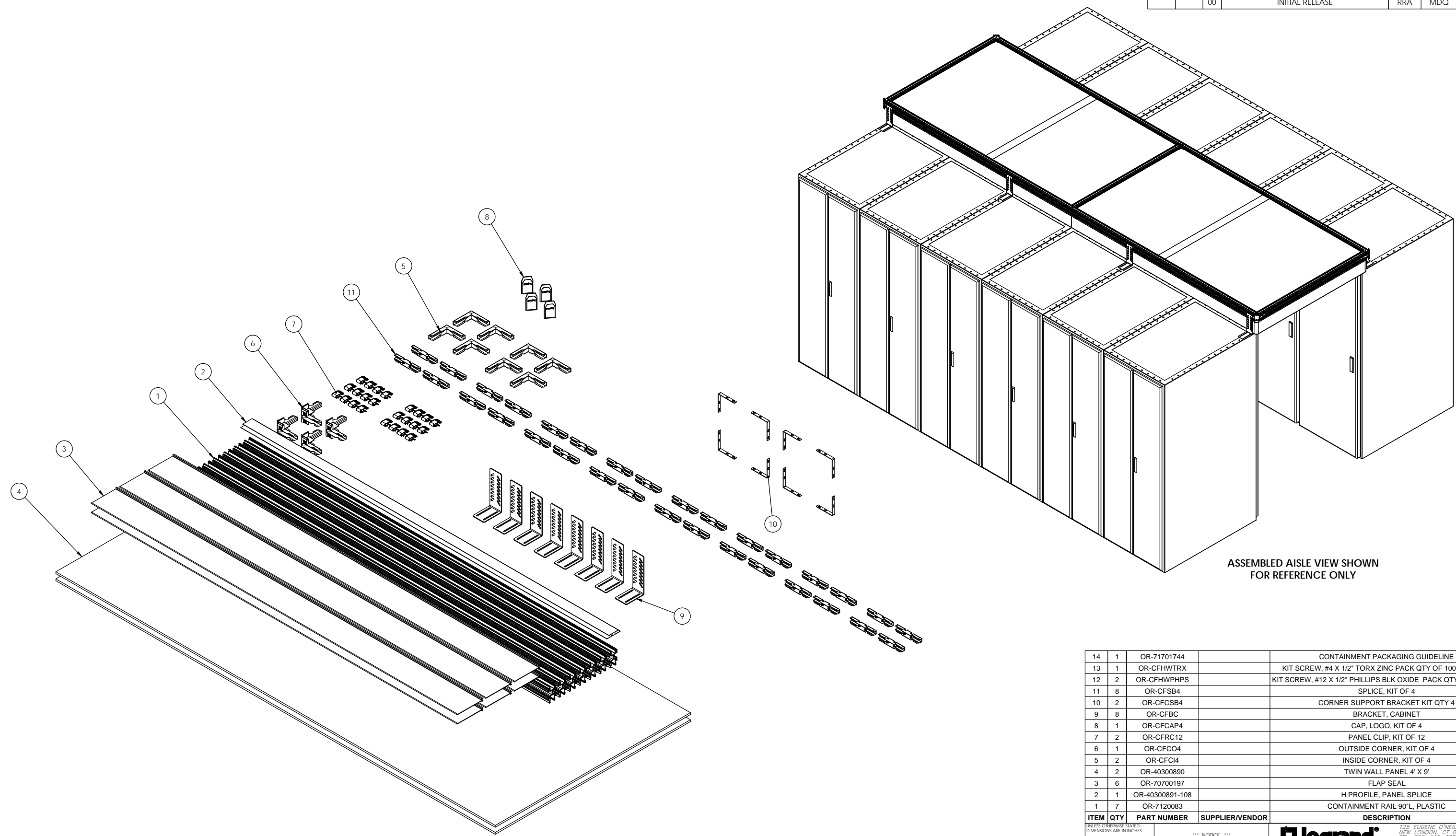


NOTES, UNLESS OTHERWISE SPECIFIED:  
 1. PACKAGING AND ENVIRONMENTAL COMPLIANCE IN ACCORDANCE WITH OR-71700217.

REVISIONS						
ECN#	ZONE	REV	DESCRIPTION	REV BY	CHK BY	DATE
		00	INITIAL RELEASE	RRA	MDQ	10/31/2016

F  
E  
D  
C  
B  
A

F  
E  
D  
C  
B  
A



ASSEMBLED AISLE VIEW SHOWN FOR REFERENCE ONLY

APPROXIMATE WEIGHT OF KIT COMPONENTS ONLY 100LB

ITEM	QTY	PART NUMBER	SUPPLIER/VENDOR	DESCRIPTION
14	1	OR-71701744		CONTAINMENT PACKAGING GUIDELINE
13	1	OR-CFHWTRX		KIT SCREW, #4 X 1/2" TORX ZINC PACK QTY OF 100 WITH BIT
12	2	OR-CFHWPHPS		KIT SCREW, #12 X 1/2" PHILLIPS BLK OXIDE PACK QTY 50 WITH BIT
11	8	OR-CFSB4		SPLICE, KIT OF 4
10	2	OR-CFCSB4		CORNER SUPPORT BRACKET KIT QTY 4
9	8	OR-CFBC		BRACKET, CABINET
8	1	OR-CFCAP4		CAP, LOGO, KIT OF 4
7	2	OR-CFRC12		PANEL CLIP, KIT OF 12
6	1	OR-CFCO4		OUTSIDE CORNER, KIT OF 4
5	2	OR-CFCI4		INSIDE CORNER, KIT OF 4
4	2	OR-40300890		TWIN WALL PANEL 4' X 9'
3	6	OR-70700197		FLAP SEAL
2	1	OR-40300891-108		H PROFILE, PANEL SPLICE
1	7	OR-7120083		CONTAINMENT RAIL 90"L, PLASTIC

UNLESS OTHERWISE STATED: DIMENSIONS ARE IN INCHES

TOOLERANCES:  
 FRACTIONAL: ± 1/16"  
 ANGULAR: MACH ± 1° BEND ± 1°  
 ONE PLACE DECIMAL: ± .02  
 TWO PLACE DECIMAL: ± .01  
 THREE PLACE DECIMAL: ± .005

MATERIAL: SEE INDIVIDUAL COMPONENTS

FINISH: SEE INDIVIDUAL COMPONENTS

\*\*\* NOTICE \*\*\*  
 THIS DOCUMENT CONTAINS CONFIDENTIAL AND/OR PROPRIETARY INFORMATION INTENDED FOR USE ONLY BY THE INDIVIDUAL(S) PROVIDED. NEITHER THIS DOCUMENT, NOR ANY INFORMATION CONTAINED HEREIN, MAY BE COPIED, DISTRIBUTED, DISCLOSED TO ANY THIRD PARTY OR USED IN ANY MANNER OTHER THAN FOR WHICH IT HAS BEEN PROVIDED, WITHOUT THE PRIOR WRITTEN CONSENT OF LEGRAND, INC.

**legrand**  
 125 EUGENE O'NEILL DRIVE  
 NEW LONDON, CT 06320  
 TEL: 860-445-3800  
 FAX: 860-405-2990  
 WWW.ORTRONICS.COM

TITLE: Contain - IT FLEX HORZ 4'W X 15'L CABINET SUPPORTED PLASTIC

SIZE	CAD FILE	DWG NO	REV
D	CFHZA415CSP	OR-CFHZA415CSP	00
SCALE	1:8	SHEET	1 OF 1

8 7 6 5 4 3 2 1