

- NOTES: UNLESS OTHERWISE SPECIFIED
- OPTICAL PERFORMANCE SHALL BE IN ACCORDANCE PRESPECIFICATION #71800061C. THE STANDARD TIER LEVEL SHALL BE PER TABLE 1.
 - THE "GGG" SUFFIX IN THE PART NUMBER DESIGNATES THE FIBER TYPE. SEE TABLE 1.
 - A LABEL SHOWING THE INSERTION LOSS VALUES, BY PORT, IS PROVIDED AFFIXED TO THE CASSETTE.
 - THE CASSETTE HOUSING IS METAL, POWDER COATED BLACK.
 - FIBER #1 ON THE MPO CONNECTION IS POSITIONED AS INDICATED IN 'REAR VIEW'.
 - THE MPO PORT LABEL IDENTIFIES THE MODE, CORE SIZE, CORRESPONDING FRONT PANEL PORT NUMBERS & POLARITY.
 - ALL DIMENSIONS ARE IN INCHES.

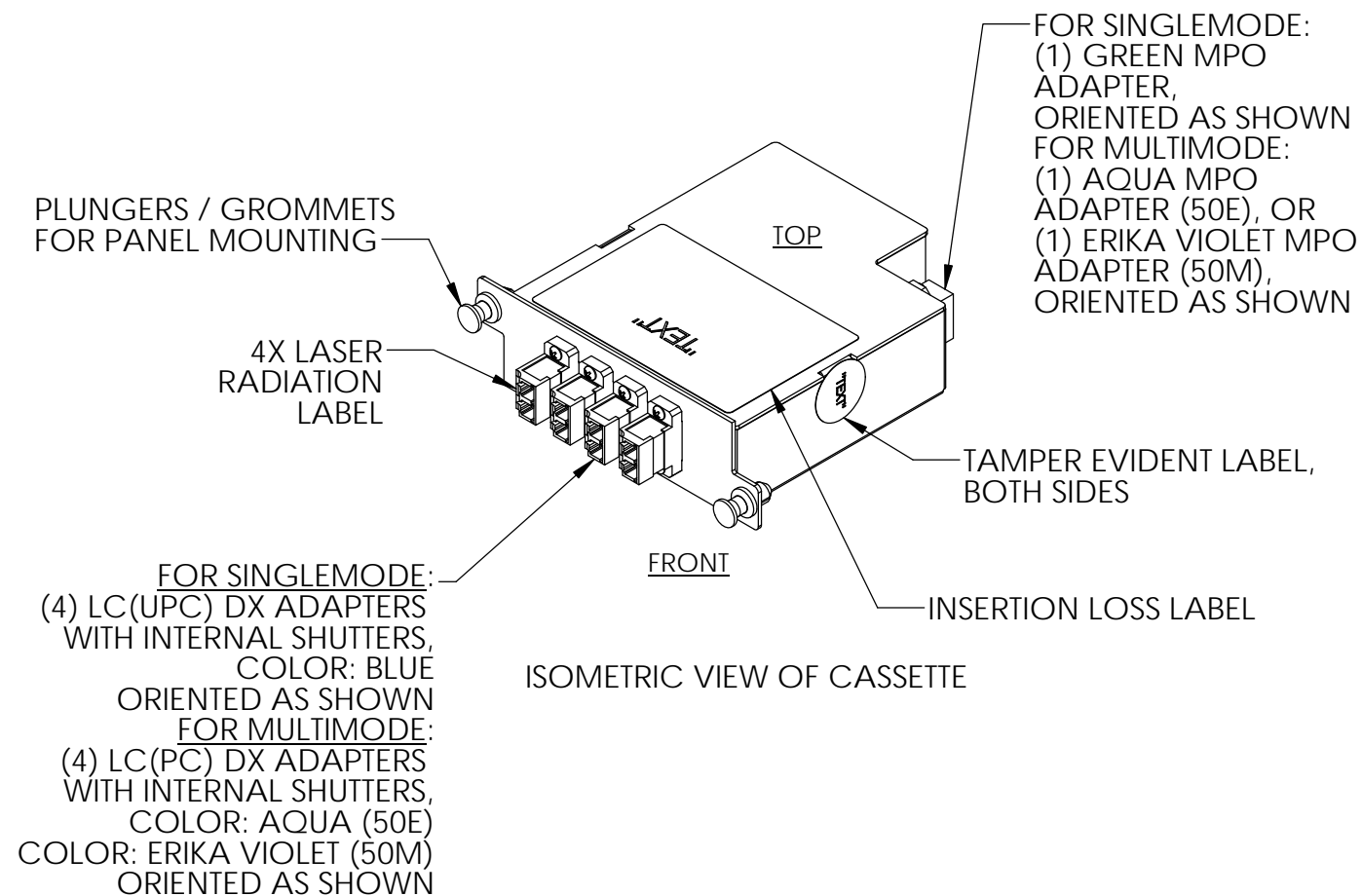
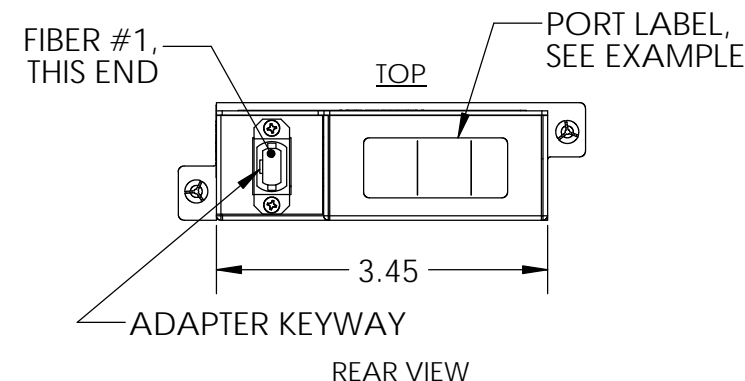
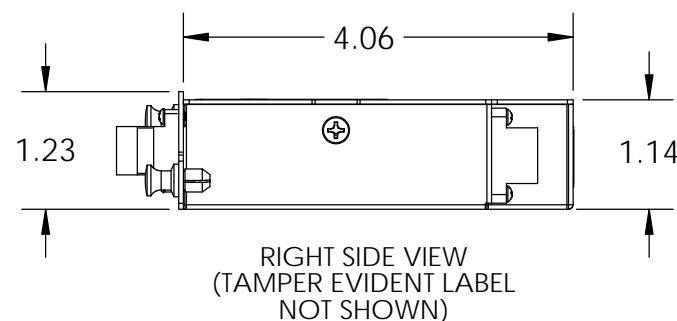
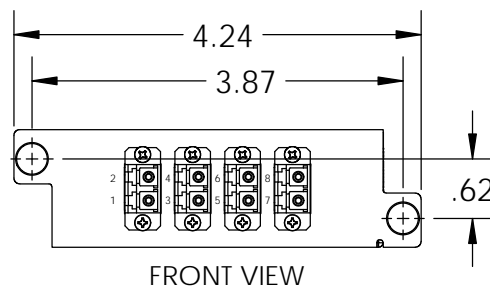
"GGG"	TYPE	"Y"	TIER
09	SM 9/125 (OS2)	1	1
		2	2
50E	MM 50/125 (4.9 GHz- km)	1	1
		2	2
		3	3
		4	4
50M	MM 50/125 (5.5 GHz- km)	4	4

POLARITY IDENTIFIER: "ZZ"		
MPO CONNECTOR PORT NUMBER	FRONT LC PORT NUMBER	
	"G1"	"G2"
1	2	1
2	4	3
3	6	5
4	8	7
9	7	8
10	5	6
11	3	4
12	1	2

"X"	"MPO TYPE"
E	12 FIBER, TYPE A FEMALE

"GGG"	"AA"	"BB"
09	SM	9
50E	MM	50
50M	MM	50

"ZZ"	POLARITY
G1	40GbE to 10GbE, TYPE 1
G2	40GbE to 10GbE, TYPE 2



M4LCD08-GGGXYZZ

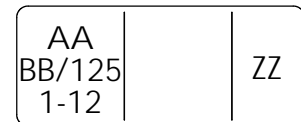
BASE NUMBER

FIBER TYPE & BANDWIDTH IDENTIFIER "GGG", (USE TABLE 1)

POLARITY IDENTIFIER (USE TABLE 4 & 5)

PERFORMANCE TIER LEVEL IDENTIFIER (USE TABLE 1)

MPO TYPE IDENTIFIER (USE TABLE 2)



PART NUMBER LEGEND

<p>*** NOTICE *** THIS DOCUMENT CONTAINS CONFIDENTIAL AND/OR PROPRIETARY INFORMATION INTENDED FOR USE ONLY BY THE INDIVIDUAL(S) PROVIDED. NEITHER THIS DOCUMENT, NOR ANY INFORMATION CONTAINED HEREIN, MAY BE COPIED, DISTRIBUTED, DISCLOSED TO ANY THIRD PARTY OR USED IN ANY MANNER OTHER THAN FOR WHICH IT HAS BEEN PROVIDED, WITHOUT THE PRIOR WRITTEN CONSENT OF LEGRAND, INC. MANUFACTURING RELEASE, PRODUCT SPECIFICATIONS AND STANDARDS ARE SUBJECT TO CHANGE WITHOUT NOTICE.</p>					<p>WWW.LEGRAND.US</p>	
<p>TITLE CASSETTE ASSEMBLY, HD, M4, 8F, LC DUPLEX, MPO(F), 40GbE TO 10GbE</p>						
NAME	DATE	SIZE	CAD FILE	DWG NO	REV	
DWN	RJG	B	M4LCD08GGGGEYZZC	M4LCD08-GGGXYZZ	02	
CHK	NR	SCALE	WEIGHT	SHEET		
APPR	REM	1:2		1 OF 1		