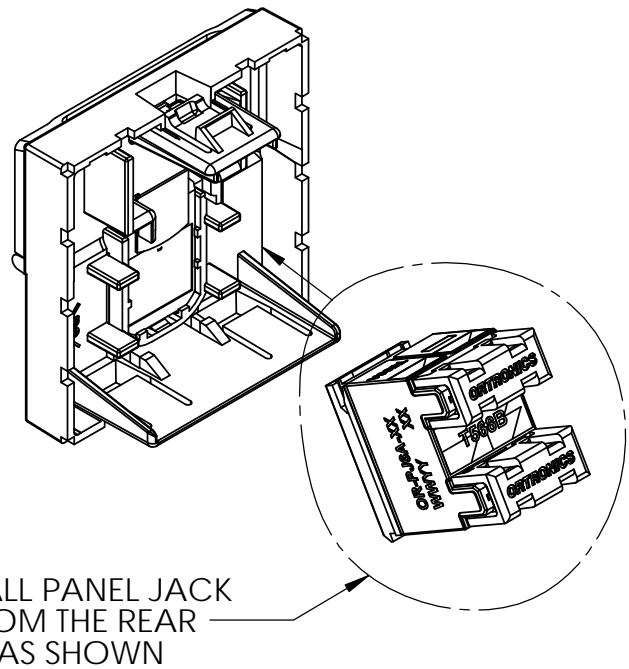
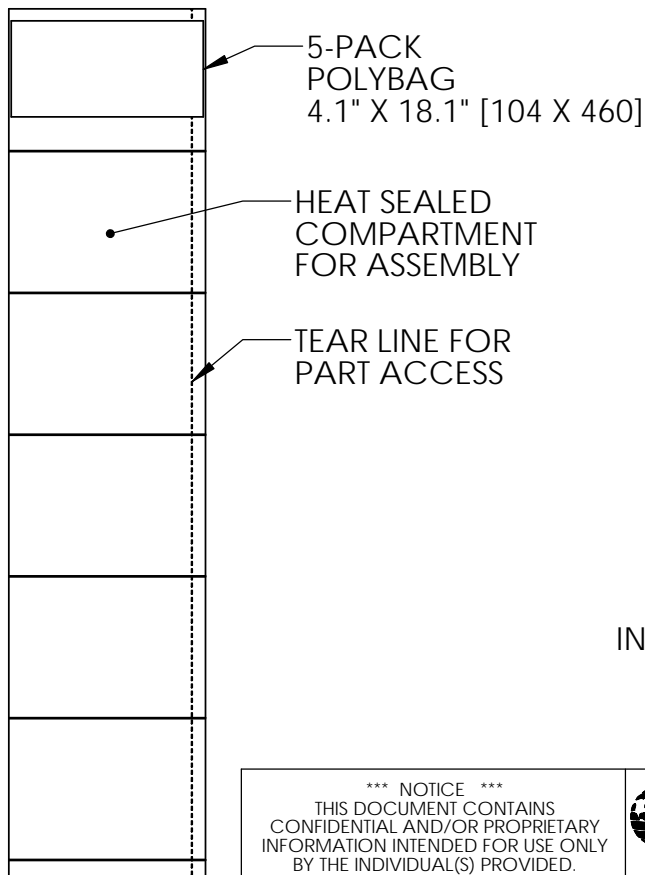
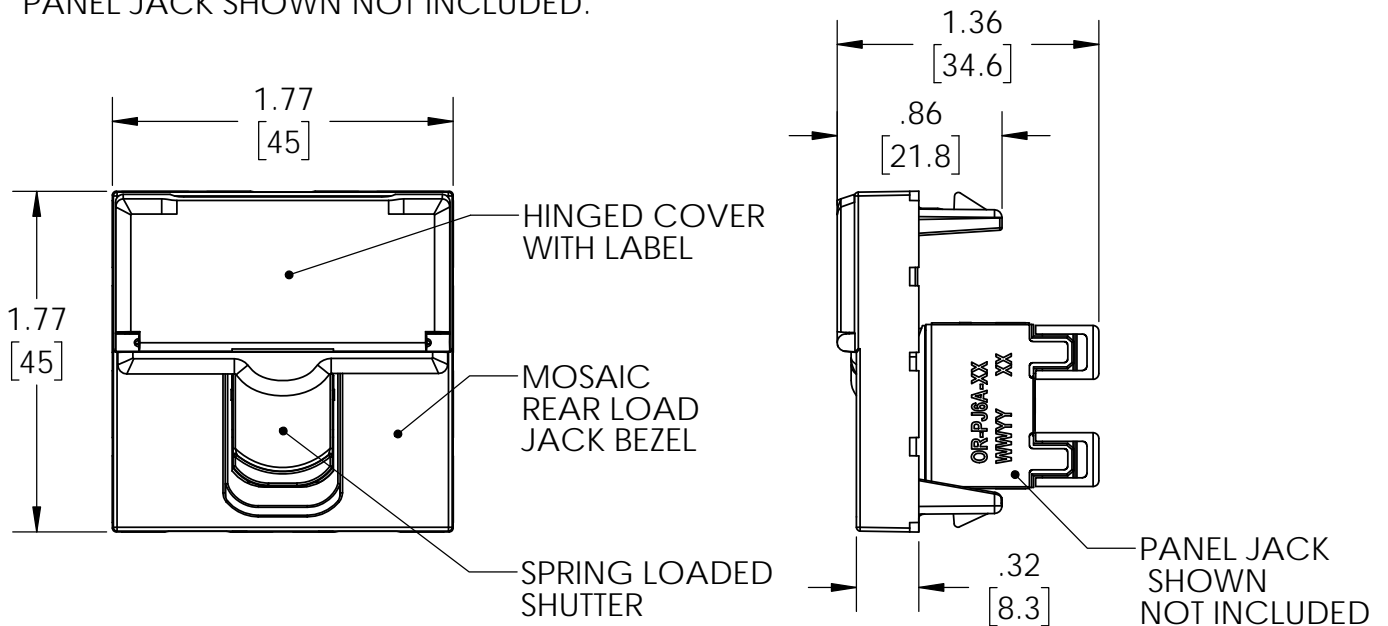


NOTES:

1. ALL DIMENSIONS ARE IN INCHES [mm].
2. ASSEMBLIES PACKED INTO 2 PIECES 5-PACK POLYBAG KITS.
3. PANEL JACK SHOWN NOT INCLUDED.



<p>*** NOTICE ***</p> <p>THIS DOCUMENT CONTAINS CONFIDENTIAL AND/OR PROPRIETARY INFORMATION INTENDED FOR USE ONLY BY THE INDIVIDUAL(S) PROVIDED. NEITHER THIS DOCUMENT, NOR ANY INFORMATION CONTAINED HEREIN, MAY BE COPIED, DISTRIBUTED, DISCLOSED TO ANY THIRD PARTY OR USED IN ANY MANNER OTHER THAN FOR WHICH IT HAS BEEN PROVIDED, WITHOUT THE PRIOR WRITTEN CONSENT OF ORTRONICS, INC.</p>					<p>125 EUGENE O'NEILL DRIVE NEW LONDON, CT 06320 TEL: 860-445-3800 FAX: 860-405-2990 WWW.ORTRONICS.COM</p>													
<p>TITLE</p> <p>BEZEL, MOSAIC, 45 X 45, REAR LOAD JACK, 1 PORT, 10PK, LEGRAND WHITE</p>			<p>SIZE A</p> <p>CAD FILE FPK2PJC</p>		<p>DWG NO OR-FPK2PJ</p> <p>REV 01</p>													
<table border="1"> <thead> <tr> <th></th> <th>NAME</th> <th>DATE</th> </tr> </thead> <tbody> <tr> <td>DWN</td> <td>DP</td> <td>8/5/2017</td> </tr> <tr> <td>CHK</td> <td>KC</td> <td>8/5/2017</td> </tr> <tr> <td>APPR</td> <td>JF</td> <td>11/14/2017</td> </tr> </tbody> </table>				NAME	DATE	DWN	DP	8/5/2017	CHK	KC	8/5/2017	APPR	JF	11/14/2017	<p>SCALE 1:1</p>		<p>SHEET 1 OF 1</p>	
	NAME	DATE																
DWN	DP	8/5/2017																
CHK	KC	8/5/2017																
APPR	JF	11/14/2017																