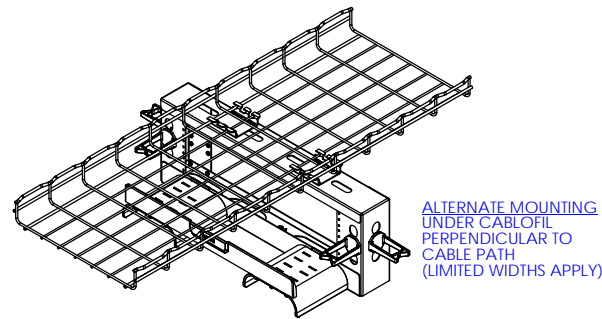
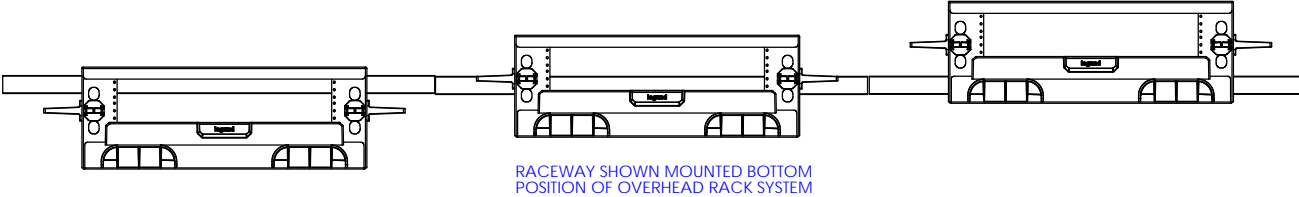
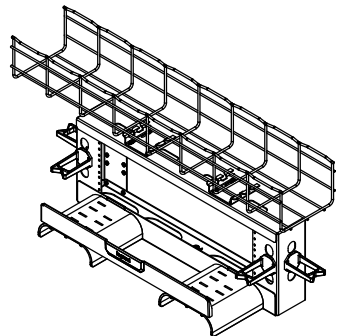
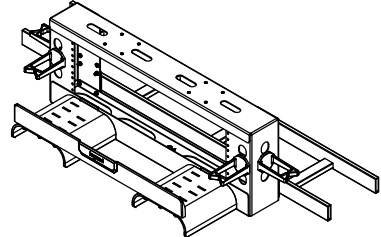
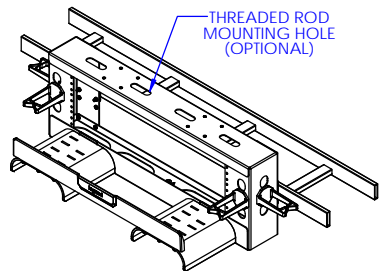
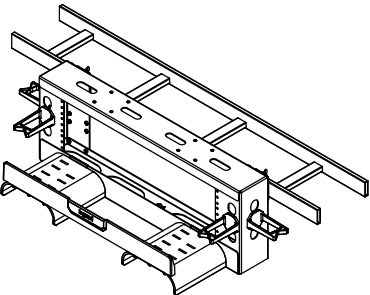
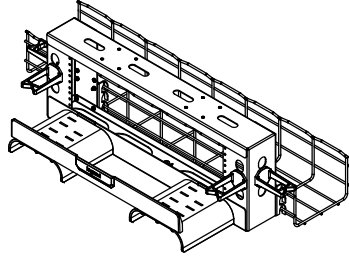
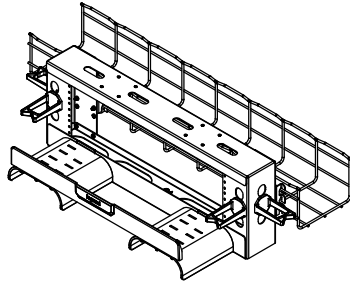
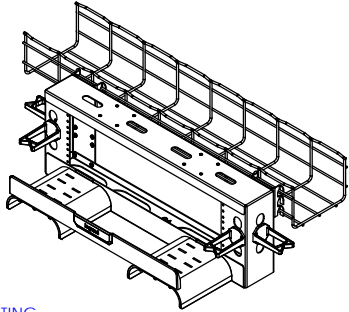
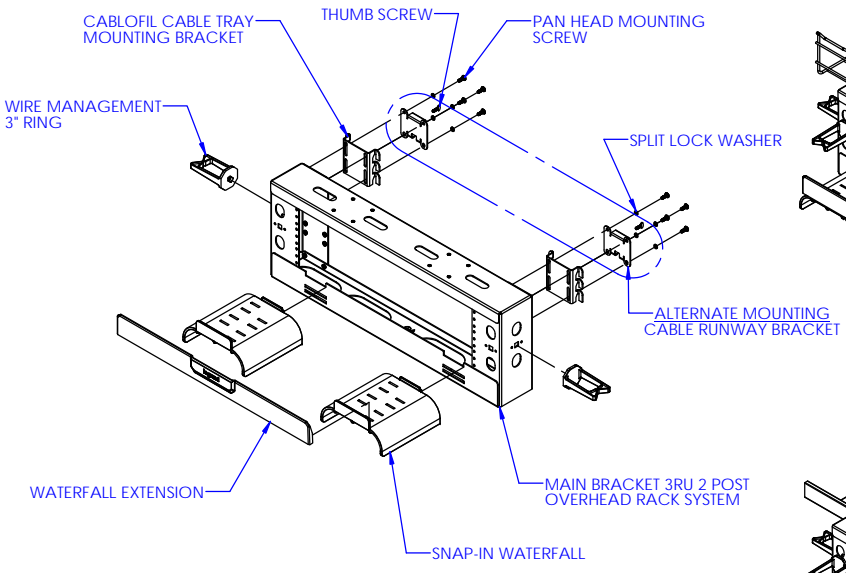


8 7 6 5 4 3 2 1

F
E
D
C
B
A



UNLESS OTHERWISE STATED, DIMENSIONS ARE IN INCHES		*** NOTICE *** THIS DOCUMENT CONTAINS CONFIDENTIAL AND/OR PROPRIETARY INFORMATION INTENDED FOR USE ONLY BY THE INDIVIDUAL(S) PROVIDED. NEITHER THIS DOCUMENT, NOR ANY INFORMATION CONTAINED HEREIN, MAY BE COPIED, DISTRIBUTED, DISCLOSED TO ANY THIRD PARTY OR USED IN ANY MANNER OTHER THAN FOR WHICH IT HAS BEEN PROVIDED, WITHOUT THE PRIOR WRITTEN CONSENT OF LEGRAND, INC.		 WWW.LEGRAND.US	
TOLERANCES: FRACTIONAL: ± 1/16" ANGULAR: MACH ± 1° BEND ± 1° ONE PLACE DECIMAL: ± .02 TWO PLACE DECIMAL: ± .01 THREE PLACE DECIMAL: ± .005		MATERIAL SEE INDIVIDUAL COMPONENTS		TITLE OVERHEAD CABLE PATHWAY, PREMIUM, 3RU	
FINISH SEE INDIVIDUAL COMPONENTS		NAME DL	DATE 8/8/2016	SIZE C	CAD FILE MMOHR3RUXC
		DWN CHK APPR	CV	SCALE 1:8	DWG NO OR-MMOHR-3RU-X SHEET 1 OF 1

8 7 6 5 4 3 2 1