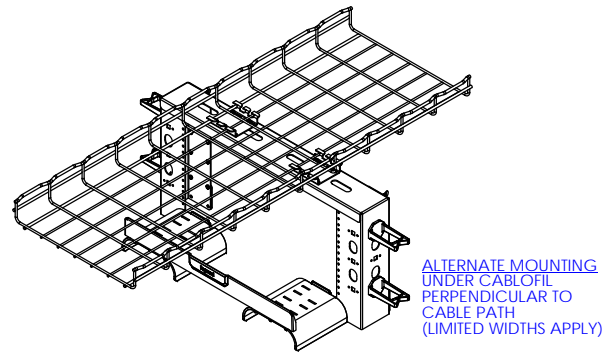
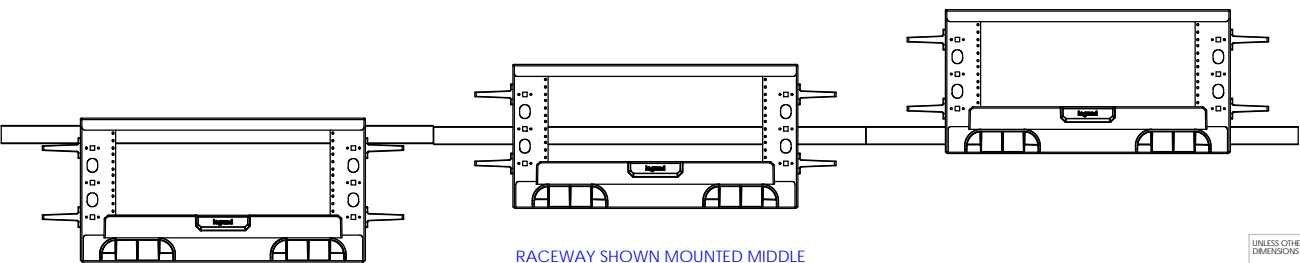
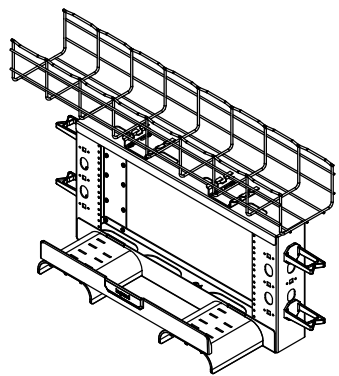
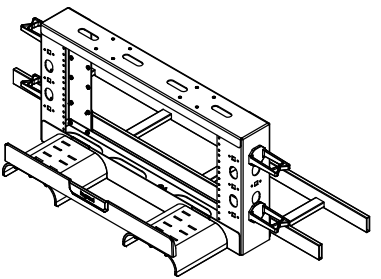
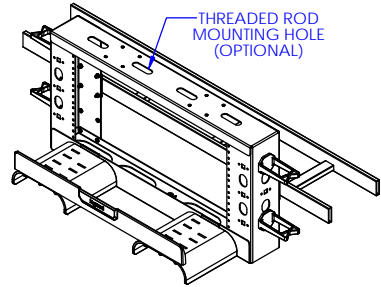
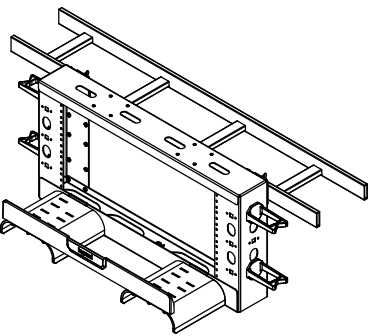
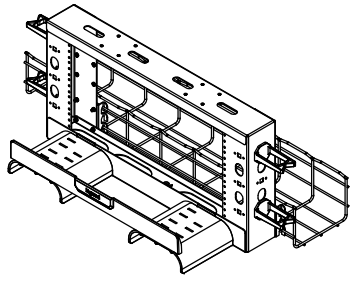
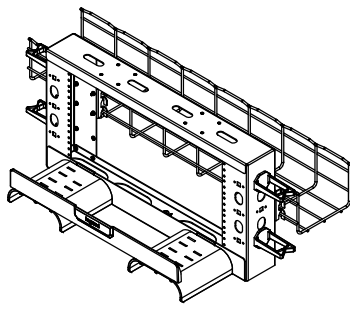
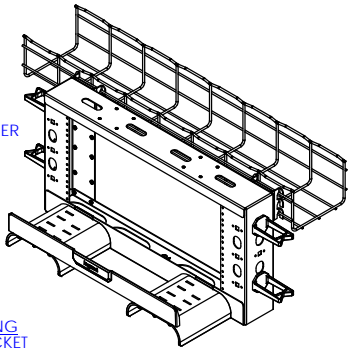
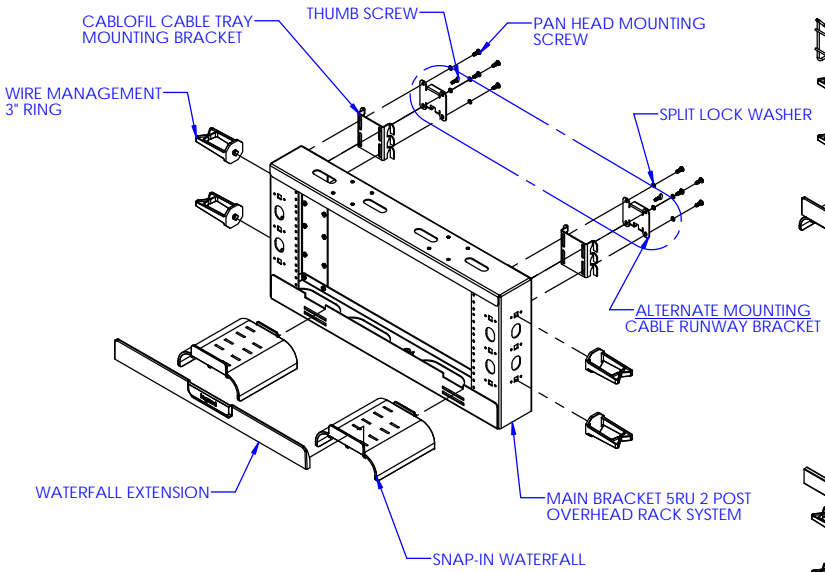


8 7 6 5 4 3 2 1

F
E
D
C
B
A



UNLESS OTHERWISE STATED, DIMENSIONS ARE IN INCHES		TOLERANCES: FRACTIONAL: ± 1/16" ANGULAR: MACH ± 1° BEND ± 1° ONE PLACE DECIMAL: ± 0.02 TWO PLACE DECIMAL: ± 0.01 THREE PLACE DECIMAL: ± 0.005		*** NOTICE *** THIS DOCUMENT CONTAINS CONFIDENTIAL AND/OR PROPRIETARY INFORMATION INTENDED FOR USE ONLY BY THE INDIVIDUAL(S) PROVIDED. NEITHER THIS DOCUMENT, NOR ANY INFORMATION CONTAINED HEREIN, MAY BE COPIED, DISTRIBUTED, DISCLOSED TO ANY THIRD PARTY OR USED IN ANY MANNER OTHER THAN FOR WHICH IT HAS BEEN PROVIDED, WITHOUT THE PRIOR WRITTEN CONSENT OF LEGRAND, INC.		WWW.LEGRAND.US	
MATERIAL SEE INDIVIDUAL COMPONENTS		FINISH SEE INDIVIDUAL COMPONENTS		TITLE OVERHEAD CABLE PATHWAY, PREMIUM, 5RU		SIZE C CAD FILE MMOHR5RUXC DWG NO OR-MMOHR-5RU-X SHEET 1 OF 1	
		NAME DL DATE 8/8/2016 DATE 2/16/2017		SCALE 1:8		REV 01	

8 7 6 5 4 3 2 1