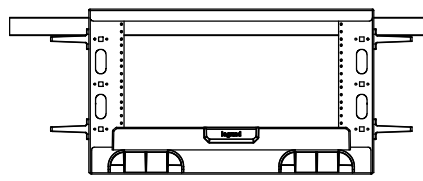
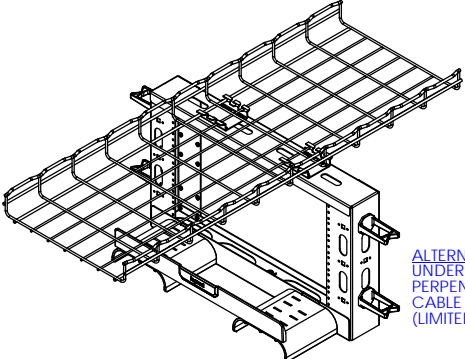
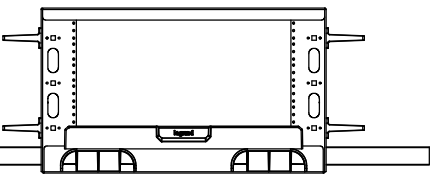
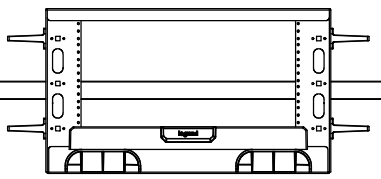
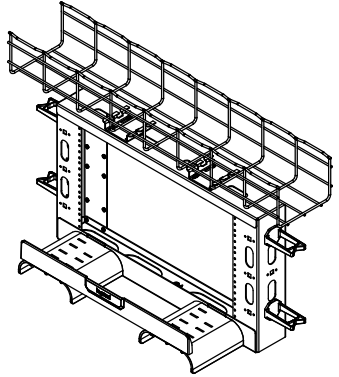
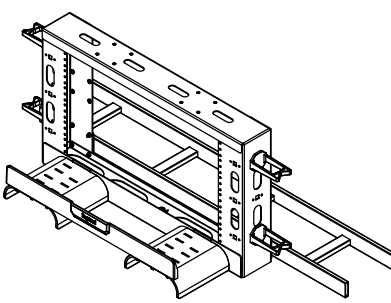
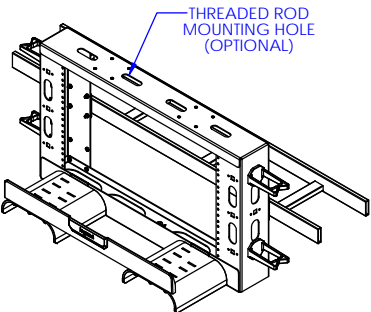
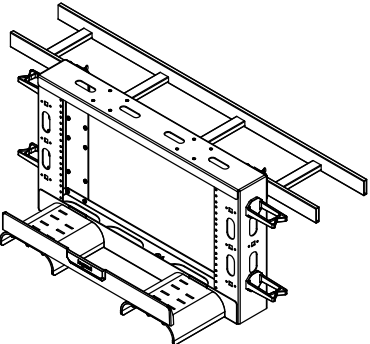
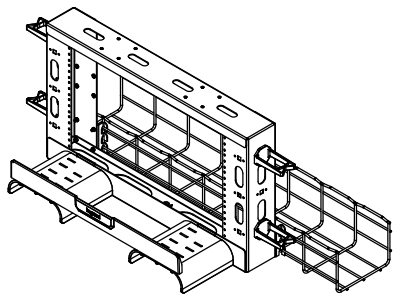
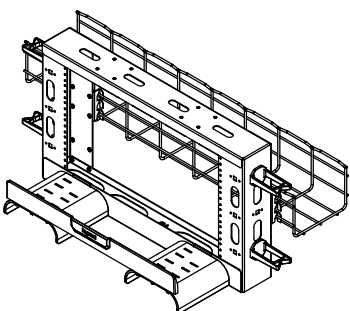
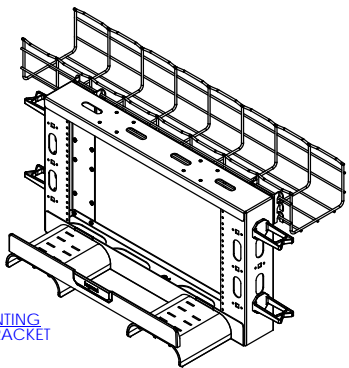
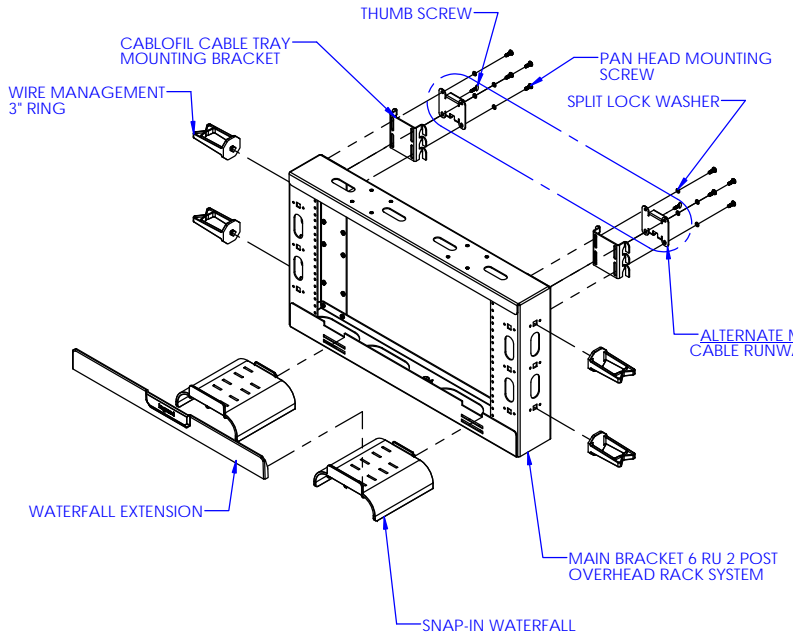


8 7 6 5 4 3 2 1

F
E
D
C
B
A

F
E
D
C
B
A



UNLESS OTHERWISE STATED, DIMENSIONS ARE IN INCHES		TOLERANCES: FRACTIONAL ± 1/16" ANGULAR MATCH ± 1° BEND ± 1° ONE PLACE DECIMAL ± .02 TWO PLACE DECIMAL ± .01 THREE PLACE DECIMAL ± .005		*** NOTICE *** THIS DOCUMENT CONTAINS CONFIDENTIAL AND/OR PROPRIETARY INFORMATION INTENDED FOR USE ONLY BY THE INDIVIDUAL(S) PROVIDED. NEITHER THIS DOCUMENT, NOR ANY INFORMATION CONTAINED HEREIN, MAY BE COPIED, DISTRIBUTED, DISCLOSED TO ANY THIRD PARTY OR USED IN ANY MANNER OTHER THAN FOR WHICH IT HAS BEEN PROVIDED, WITHOUT THE PRIOR WRITTEN CONSENT OF LEGRAND, INC.		 WWW.LEGRAND.US																	
MATERIAL SEE INDIVIDUAL COMPONENTS		FINISH SEE INDIVIDUAL COMPONENTS		TITLE OVERHEAD CABLE PATHWAY, PREMIUM, 6RU		<table border="1"> <tr> <td>SIZE</td> <td>CAD FILE</td> <td>DWG NO</td> <td>REV</td> </tr> <tr> <td>C</td> <td>MMOHR6RUCX</td> <td>OR-MMOHR-6RU-X</td> <td>01</td> </tr> <tr> <td>SCALE</td> <td colspan="2">SHEET</td> <td>1 OF 1</td> </tr> <tr> <td>1:8</td> <td colspan="2"></td> <td></td> </tr> </table>		SIZE	CAD FILE	DWG NO	REV	C	MMOHR6RUCX	OR-MMOHR-6RU-X	01	SCALE	SHEET		1 OF 1	1:8			
SIZE	CAD FILE	DWG NO	REV																				
C	MMOHR6RUCX	OR-MMOHR-6RU-X	01																				
SCALE	SHEET		1 OF 1																				
1:8																							
		<table border="1"> <tr> <td>NAME</td> <td>DATE</td> </tr> <tr> <td>DL</td> <td>8/8/2016</td> </tr> <tr> <td>CHK</td> <td>J.QUINN</td> </tr> <tr> <td>APPR</td> <td>CV</td> </tr> </table>		NAME	DATE	DL	8/8/2016	CHK	J.QUINN	APPR	CV	<table border="1"> <tr> <td>DATE</td> <td>2/6/2017</td> </tr> <tr> <td>DATE</td> <td>2/16/2017</td> </tr> </table>		DATE	2/6/2017	DATE	2/16/2017						
NAME	DATE																						
DL	8/8/2016																						
CHK	J.QUINN																						
APPR	CV																						
DATE	2/6/2017																						
DATE	2/16/2017																						

8 7 6 5 4 3 2 1