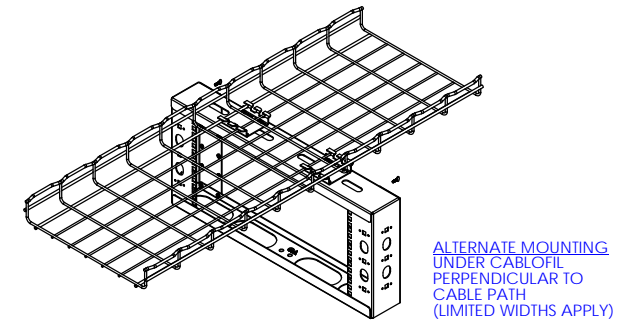
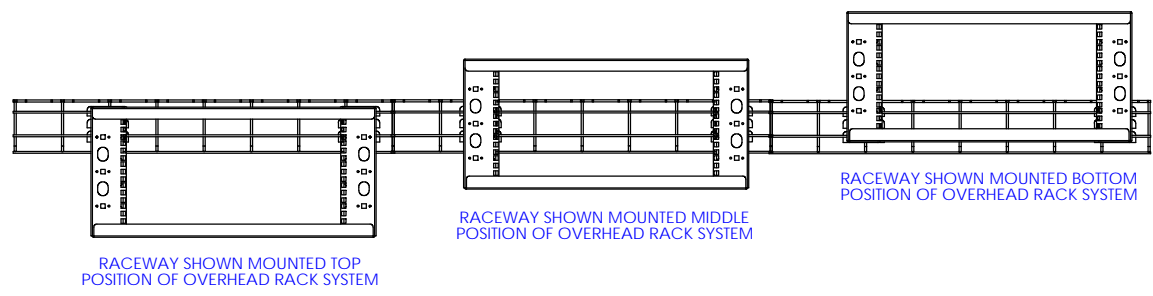
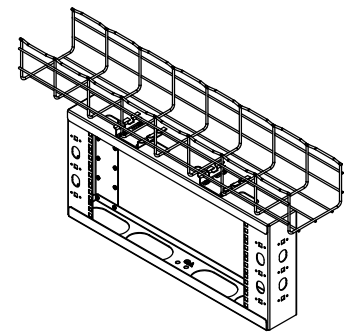
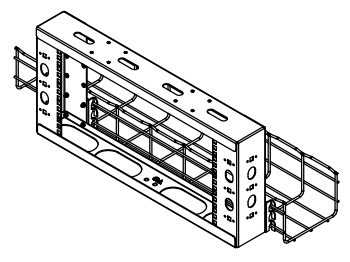
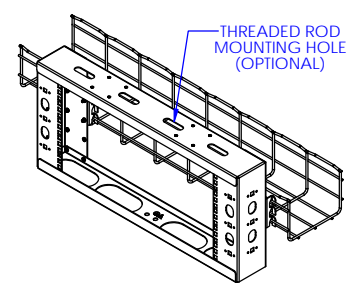
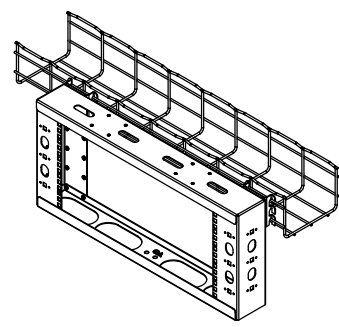
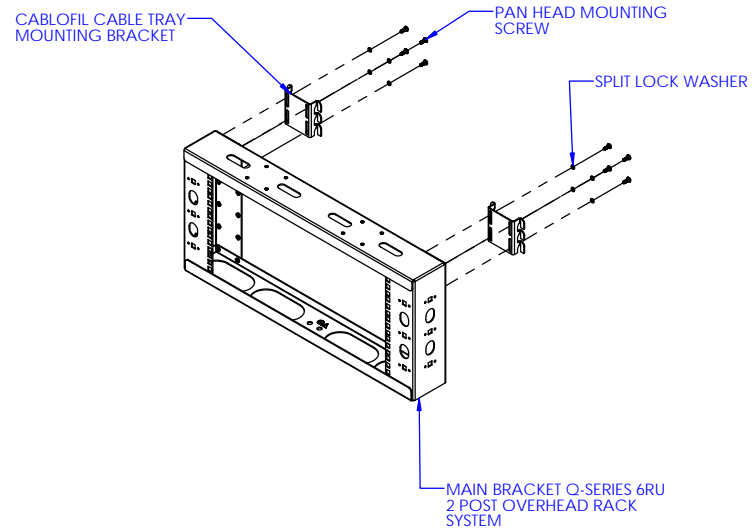


OR-OSOHR-5RU-W	WHITE
OR-OSOHR-5RU-B	BLACK
PART NO	COLOR
PART NUMBER DESIGNATIONS	



UNLESS OTHERWISE STATED, DIMENSIONS ARE IN INCHES		TOLERANCES: FRACTIONAL ± 1/16" ANGULAR MATCH ± 1° BEND ± 1° ONE PLACE DECIMAL ± 0.02 TWO PLACE DECIMAL ± 0.01 THREE PLACE DECIMAL ± 0.005		*** NOTICE *** THIS DOCUMENT CONTAINS CONFIDENTIAL AND/OR PROPRIETARY INFORMATION INTENDED FOR USE ONLY BY THE INDIVIDUAL(S) PROVIDED. NEITHER THIS DOCUMENT, NOR ANY INFORMATION CONTAINED HEREIN, MAY BE COPIED, DISTRIBUTED, DISCLOSED TO ANY THIRD PARTY OR USED IN ANY MANNER OTHER THAN FOR WHICH IT HAS BEEN PROVIDED, WITHOUT THE PRIOR WRITTEN CONSENT OF LEGRAND, INC.		legrand WWW.LEGRAND.US	
MATERIAL SEE INDIVIDUAL COMPONENTS		FINISH SEE TAB BLOCK		TITLE OVERHEAD CABLE PATHWAY, Q SERIES, 5RU		SCALE 1:8	
NAME JS	DATE 2/10/2017	SIZE C	CAD FILE OSOHR5RUXC	DWG NO OR-OSOHR-5RU-X	REV 01	SHEET 1 OF 1	