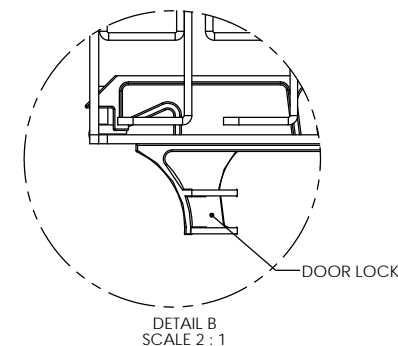
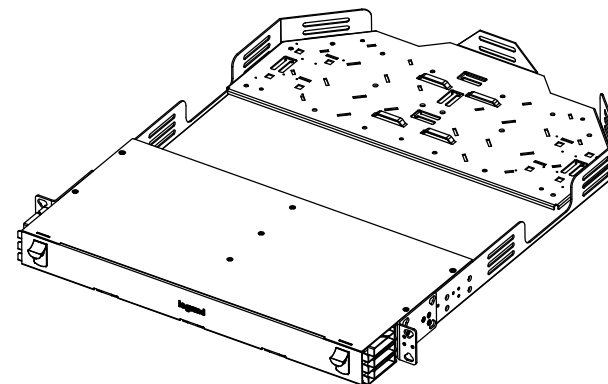
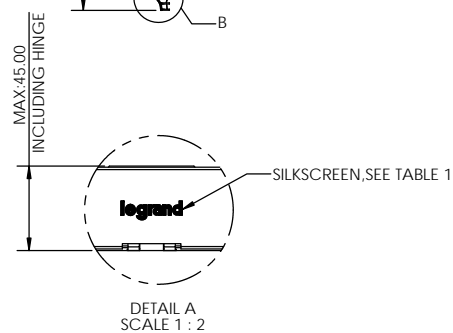
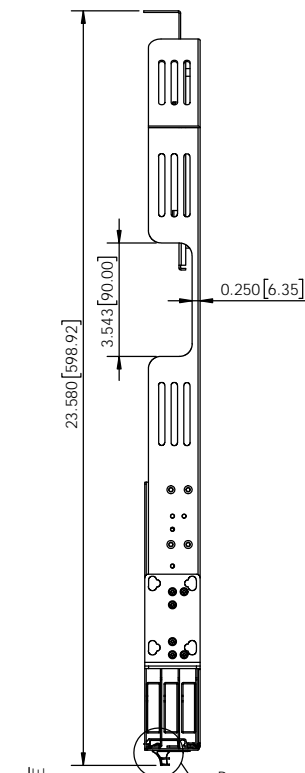
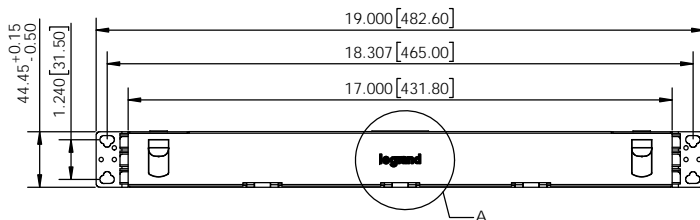
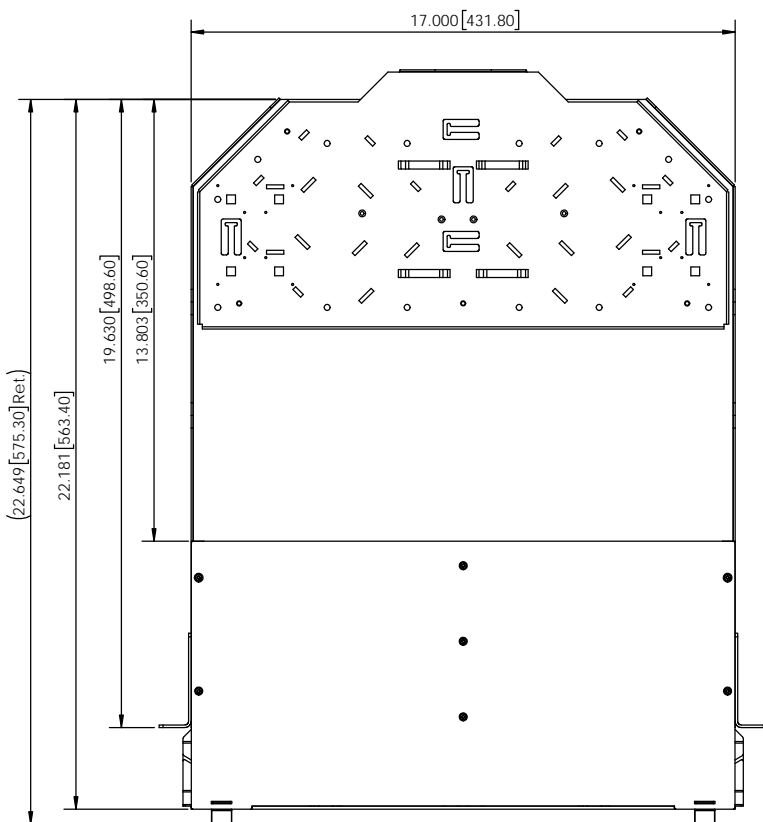


NOTES, UNLESS OTHERWISE SPECIFIED:

1. FINISH: LIQUID PAINT, SEE TABLE 1 FOR COLOR.
2. SILKSCREEN: LEGRAND LOGO, COLOR PER TABLE 1.
3. DIMENSIONS ARE IN INCHES.



OR-UC01UB-X
 BASE NUMBER COLOR, SEE TABLE 1
 PART NUMBER LEGEND

TABLE 1		
-X	COLOR	SILKSCREEN COLOR
NONE	BLACK	SILVER (PANTONE 877C)
-B	BLACK	
-W	WHITE	
-BLG	BLACK	WHITE (PANTONE WHITE)

CABLE MANAGEMENT KIT(SHOULD BE BAGGED)		
PART NAME	PART NUMBER	QTY.
PLEN-TIE, HOOK-LOOP STRAPS, ROLL OF 20	OR-70700145	0.4
SPOOL FIBER BUNDLE	OR-70800264	8

*** NOTICE ***
 THIS DOCUMENT CONTAINS CONFIDENTIAL AND/OR PROPRIETARY INFORMATION INTENDED FOR USE ONLY BY THE INDIVIDUAL(S) PROVIDED. NEITHER THIS DOCUMENT, NOR ANY INFORMATION CONTAINED HEREIN, MAY BE COPIED, DISTRIBUTED, DISCLOSED TO ANY THIRD PARTY OR USED IN ANY MANNER OTHER THAN FOR WHICH IT HAS BEEN PROVIDED, WITHOUT THE PRIOR WRITTEN CONSENT OF LEGRAND, INC. MANUFACTURING RELEASE. PRODUCT SPECIFICATIONS AND STANDARDS ARE SUBJECT TO CHANGE WITHOUT NOTICE.

legrand WWW.LEGRAND.US

TITLE: ENCLOSURE ASSY, 1U, UHD, M7

DWN	NAME	DATE	SIZE	CAD FILE	DWG. NO.	REV
CHK	DMS	5/16/2016	C	UC01UBXC	OR-UC01UB-X	02
APPR	RJG	5/15/2016	SCALE	1:3	SHEET	1 OF 1
	MW	5/16/2016				