

NOTES: UNLESS OTHERWISE SPECIFIED

1. THE CASSETTE HOUSING IS METAL, PAINTED BLACK.
2. ALL DIMENSIONS ARE IN INCHES.

TABLE 1	
"WW"	ADAPTER TYPE
LC	LC

TABLE 2	
"X"	FIBERS PER ADAPTER
Q	4

TABLE 3	
"A"	ADAPTER COLOR
A	BLUE
C	GREEN
L	AQUA
M	BEIGE
N	ERIKA VIOLET

TABLE 4	
"B"	ADAPTER SLEEVE
C	CERAMIC

OR-UHD7FP-WWX12AB

BASE NUMBER

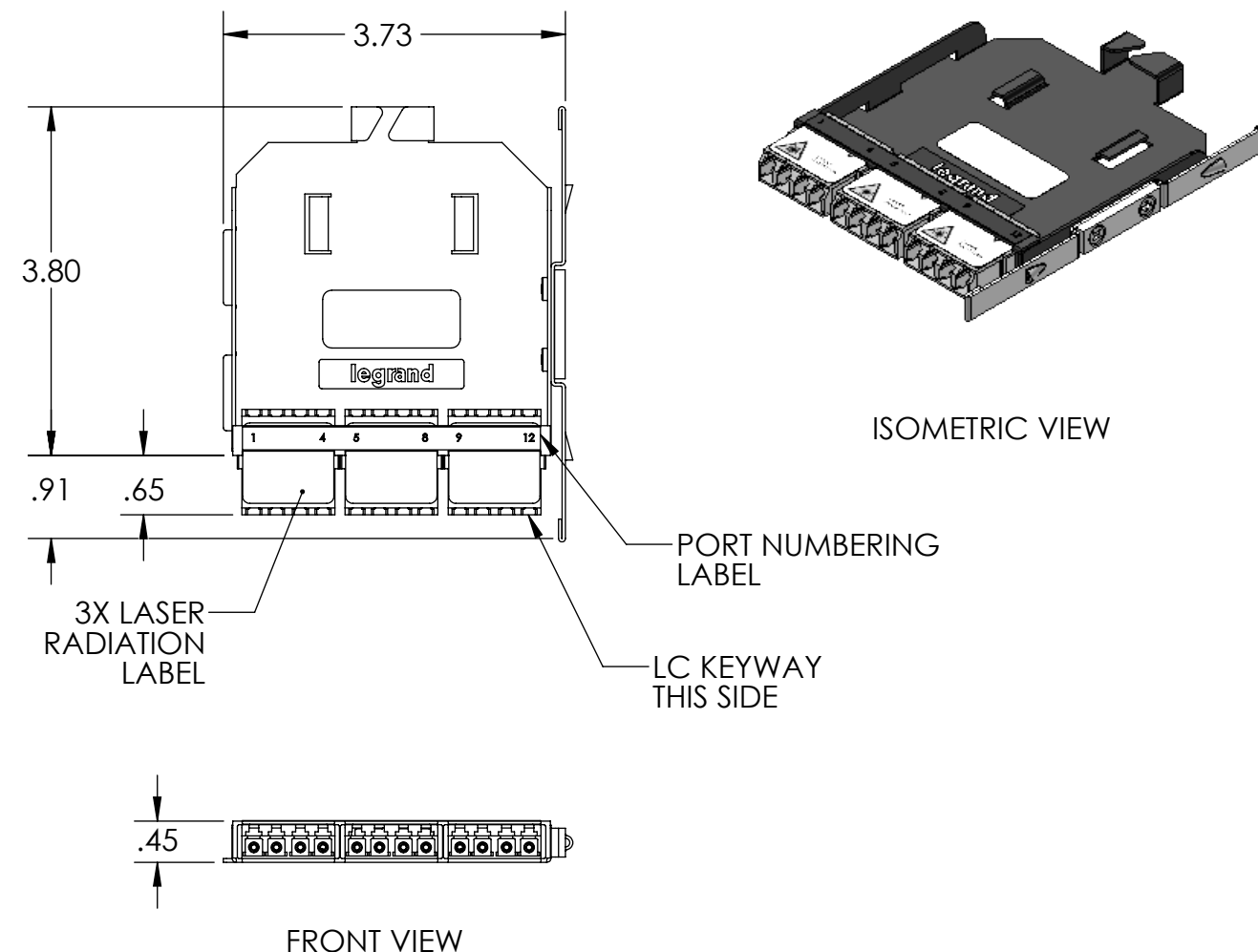
ADAPTER TYPE (SEE TABLE 1)

ADAPTER SLEEVE (SEE TABLE 4)

ADAPTER COLOR (SEE TABLE 3)

NUMBER OF FIBERS PER ADAPTER (SEE TABLE 2)

PART NUMBER LEGEND



<p>*** NOTICE ***</p> <p>THIS DOCUMENT CONTAINS CONFIDENTIAL AND/OR PROPRIETARY INFORMATION INTENDED FOR USE ONLY BY THE INDIVIDUAL(S) PROVIDED. NEITHER THIS DOCUMENT, NOR ANY INFORMATION CONTAINED HEREIN, MAY BE COPIED, DISTRIBUTED, DISCLOSED TO ANY THIRD PARTY OR USED IN ANY MANNER OTHER THAN FOR WHICH IT HAS BEEN PROVIDED, WITHOUT THE PRIOR WRITTEN CONSENT OF ORTRONICS, INC. MANUFACTURING RELEASE. PRODUCT SPECIFICATIONS AND STANDARDS ARE SUBJECT TO CHANGE WITHOUT NOTICE.</p>			<p><b>legrand</b>® WWW.LEGRAND.US</p>			
<p>TITLE</p> <p>ADAPTER PANEL ASSY, UHD7, 12F/LC, .3U</p>			<p>SIZE B</p> <p>CAD FILE UHD7FPWWX12ABC</p>		<p>DWG NO OR-UHD7FP-WWX12AB</p> <p>REV 03</p>	
<p>NAME DATE</p> <p>DWN DMS 5/27/2016</p> <p>CHK RJG 5/27/2016</p> <p>APPR MW 5/31/2016</p>			<p>SCALE NONE</p>		<p>SHEET 1 OF 1</p>	