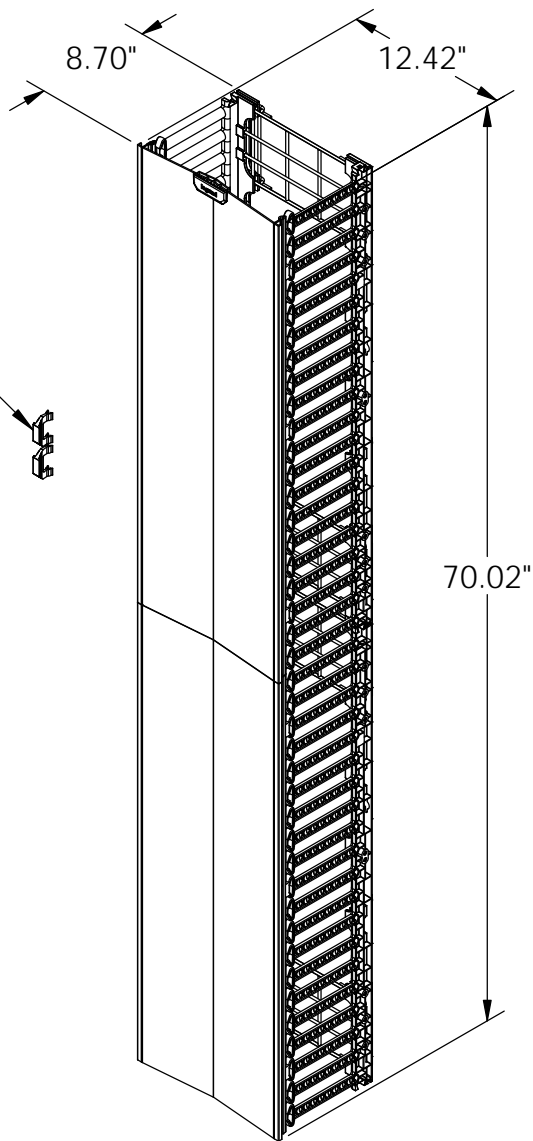



INSTALL CLIPS FOR HOLDING FINGERS SECTIONS TOGETHER WHILE INSTALLING



OR-QVMS-612	BLACK
PART NO	COLOR
<b>PART NUMBER DESIGNATIONS</b>	

NOTE: MOUNTING HARDWARE INCLUDED

<p>*** NOTICE ***          THIS DOCUMENT CONTAINS CONFIDENTIAL AND/OR PROPRIETARY INFORMATION INTENDED FOR USE ONLY BY THE INDIVIDUAL(S) PROVIDED. NEITHER THIS DOCUMENT, NOR ANY INFORMATION CONTAINED HEREIN, MAY BE COPIED, DISTRIBUTED, DISCLOSED TO ANY THIRD PARTY OR USED IN ANY MANNER OTHER THAN FOR WHICH IT HAS BEEN PROVIDED, WITHOUT THE PRIOR WRITTEN CONSENT OF LEGRAND, INC. MANUFACTURING RELEASE, PRODUCT SPECIFICATIONS AND STANDARDS ARE SUBJECT TO CHANGE WITHOUT NOTICE.</p>					<a href="http://WWW.LEGRAND.US">WWW.LEGRAND.US</a>	
			<p>TITLE  <b>Q-SERIES VERTICAL MANAGER, 6' HIGH, SINGLE, 12" WIDE, WITH COVER</b></p>			
	NAME	DATE	SIZE	CAD FILE	DWG NO	REV
DWN	AJ	2/2/2017	A	QVMS612XC	OR-QVMS612-X	01
CHK	JQ	2/3/2017	SCALE	WEIGHT	SHEET	
APPR	CV	2/21/2017	1:12		1 OF 1	