

# DATA SHEET



## 12-Fiber M4 Cassette with 12 LC Duplex Adapters to 1 MPO (M), Method B

Infinium M4 cassettes are pre-terminated cassettes designed to breakout rear MPO connections with method B flipped polarity to LC connections on the front.

### OVERVIEW

Infinium M4 pre-terminated cassettes with method B provide rapid deployment and have a flipped polarity inside the modules, which use key-up to key-up MPO adapters and allows for straight through patching. The rugged metal housing offers additional durability and includes a built-in internal bend limiting feature to assure optimum optical performance.

### FEATURES

- Method B connectivity: Has flipped polarity and uses key-up to key-up adapters
- Pre-terminated solution: For fastest installation, highest performance and consistent factory quality
- Fiber port labeling: Provides easier administration
- Compact high density design: Made with a rugged metal housing

### ITEM DESCRIPTION

M4LCD12-09C1A1	12-Fiber OS2 M4 Cassette with 12 LC Duplex Adapters to 1 MPO (M), Tier 1, Method B, Near End
M4LCD12-09C1B1	12-Fiber OS2 M4 Cassette with 12 LC Duplex Adapters to 1 MPO (M), Tier 1, Method B, Far End
M4LCD12-50EC2A1	12-Fiber OM4+ M4 Cassette with 12 LC Duplex Adapters to 1 MPO (M), Tier 2, Method B, Near End
M4LCD12-50EC2B1	12-Fiber OM4+ M4 Cassette with 12 LC Duplex Adapters to 1 MPO (M), Tier 2, Method B, Far End
M4LCD12-50EC3A1	12-Fiber OM4+ M4 Cassette with 12 LC Duplex Adapters to 1 MPO (M), Tier 3, Method B, Near End
M4LCD12-50EC3B1	12-Fiber OM4+ M4 Cassette with 12 LC Duplex Adapters to 1 MPO (M), Tier 3, Method B, Far End

### AGENCIES/THIRD PARTY CERTIFICATIONS

- RoHS: Yes

designed to be better.™



# DATA SHEET

## SPECIFICATIONS:

### 12-Fiber M4 Cassette with 12 LC Duplex Adapters to 1 MPO (M), Method B

#### GENERAL INFO:

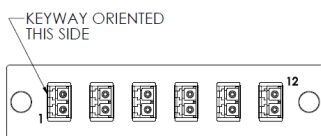
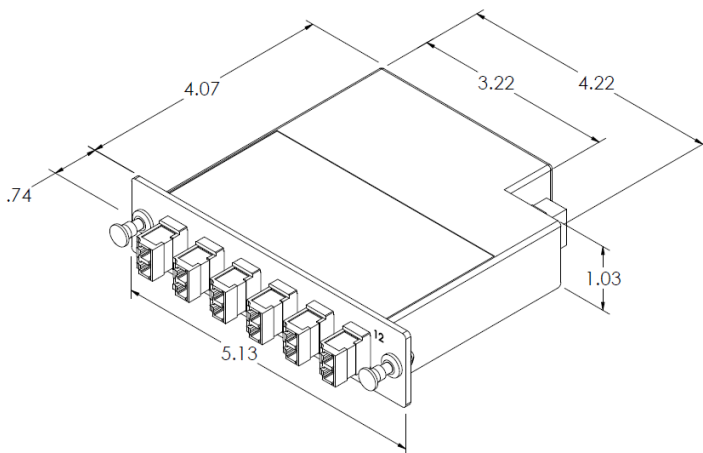
- Color: M4LCD12-09C1A1 - Blue  
M4LCD12-09C1B1 - Blue  
M4LCD12-50EC2A1 - Aqua  
M4LCD12-50EC2B1 - Aqua  
M4LCD12-50EC3A1 - Aqua  
M4LCD12-50EC3B1 - Aqua
- Number Of Ports: 12
- Typical Applications:
  - M4LCD12-09C1A1 - Single-mode
  - M4LCD12-09C1B1 - Single-mode
  - M4LCD12-50EC2A1 - Multimode
  - M4LCD12-50EC2B1 - Multimode
  - M4LCD12-50EC3A1 - Multimode
  - M4LCD12-50EC3B1 - Multimode
- Connection Type: MPO-LC
- Installation Destination: Fiber Cabinets
- Product Series: Infinium

#### DIMENSIONS:

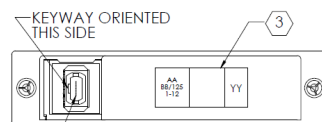
- Depth (Metric): 120.90 mm
- Depth (US): 4.76"
- Height (Metric): 28.96 mm
- Height (US): 1.14"
- Width (Metric): 87.63 mm
- Width (US): 3.45"
- Rack Units: 0.3

#### TECHNICAL INFORMATION:

- Connection Method: Method B
- Fiber Capacity: 12
- Max Insertion Loss:
  - M4LCD12-09C1A1 - 1.05 dB
  - M4LCD12-09C1B1 - 1.05 dB
  - M4LCD12-50EC2A1 - 0.75 dB
  - M4LCD12-50EC2B1 - 0.75 dB
  - M4LCD12-50EC3A1 - 0.50 dB
  - M4LCD12-50EC3B1 - 0.50 dB
- Max Return Loss:
  - M4LCD12-09C1A1 - 52.0 dB
  - M4LCD12-09C1B1 - 52.0 dB
  - M4LCD12-50EC2A1 - 19.0 dB
  - M4LCD12-50EC2B1 - 19.0 dB
  - M4LCD12-50EC3A1 - 19.0 dB
  - M4LCD12-50EC3B1 - 19.0 dB
- Capacity: High Density
- Equipment Type: Pre-Terminated Cassettes



PORT LAYOUT (FRONT)



MPO LAYOUT (REAR)



Legrand, North and Central America

60 Woodlawn Street  
West Hartford, CT 06110  
1.877.BY.LEGRAND (295.3472)  
www.legrand.us