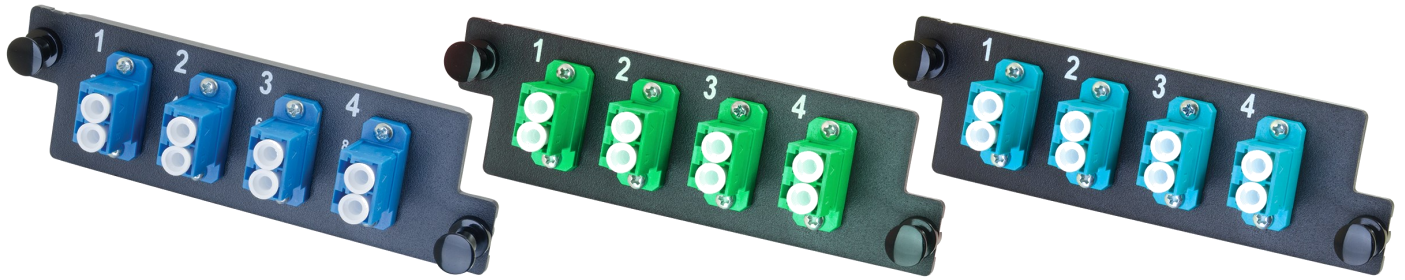


DATA SHEET



HDFP Adapter Panel with 4 LC Duplex Adapters

OVERVIEW

Infinium HDFP Adapter Panels offer 4 LC duplex adapters for pass-through connections within the UC0 (UHD) enclosure.

FEATURES

- Compact high density design: Optimize space utilization
- Front loading: Easy access to connections
- Fiber port labeling: Provides fiber port identification for easier administration
- Engineered polymer adapter panel: Rugged, cost-effective design

ITEM DESCRIPTION

HDFP-LCD08AC	HDFP Adapter Panel with 4 LC Duplex Adapters - Blue
HDFP-LCD08CC	HDFP Adapter Panel with 4 LC Duplex Adapters - Green
HDFP-LCD08LC	HDFP Adapter Panel with 4 LC Duplex Adapters - Aqua

AGENCIES/THIRD PARTY CERTIFICATIONS

- RoHS: Yes

designed to be better.™



DATA SHEET

SPECIFICATIONS:

HDFP Adapter Panel with 4 LC Duplex Adapters

GENERAL INFO:

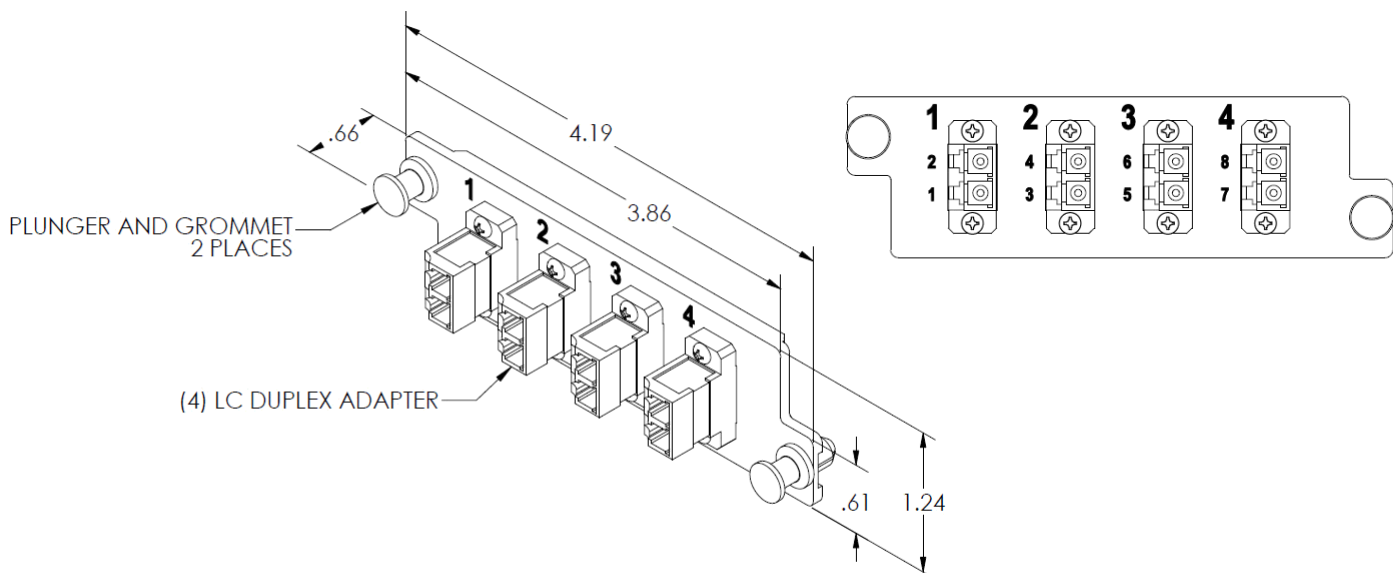
- Color: HDFP-LCD08AC - Blue
HDFP-LCD08CC - Green
HDFP-LCD08LC - Aqua
- Number Of Ports: 8
- Typical Applications: Single-mode and Multimode
- Connection Type: LC-LC
- Installation Destination: Fiber Cabinets
- Product Series: Infinium
- Type: Fiber Panels

DIMENSIONS:

- Depth (Metric): 16.76 mm
- Depth (US): 0.66"
- Height (Metric): 31.50 mm
- Height (US): 1.24"
- Width (Metric): 106.43 mm
- Width (US): 4.19"
- Rack Units: 1

TECHNICAL INFORMATION:

- Fiber Capacity: 8
- Capacity: High Density
- Equipment Type: Adapters



Legrand, North and Central America

60 Woodlawn Street
West Hartford, CT 06110
1.877.BY.LEGRAND (295.3472)
www.legrand.us