

## MIGHTY MO 6 ENHANCED CABLE MANAGEMENT SYSTEM ASSEMBLY INSTRUCTIONS

INSTALLATION- **CAUTION:** ALL INSTALLATION AND ASSEMBLY STEPS MUST BE PERFORMED BY QUALIFIED PERSONNEL.

### NOTES:

1. BEFORE ASSEMBLING THE MM RACK, PLEASE INVENTORY MATERIAL CONTENTS PER SHEET 2 AND SCHEMATIC ON INSIDE HARDWARE KIT COVER.
2. INSTRUCTIONS ARE FOR 19" EQUIPMENT MOUNTING. RACK FOR 19" IS SHOWN.
3. THE MM UPRIGHTS HAVE EIA RACK UNIT NUMERALS EVERY RACK UNIT AND CAN BE ASSEMBLED WITH THE RACK UNIT #1 AT THE TOP OR AT THE BOTTOM. INSURE BOTH UPRIGHTS START THE SAME.
4. SEE SHEET 5 FOR LAYOUT OF FLOOR MOUNTING AND MULTIPLE RACK CONFIGURATIONS. SEE SHEET 6 AND 7 FOR IMPORTANT SAFETY INSTRUCTIONS.
5. SPACINGS: MINIMUM SPACINGS BETWEEN THE ACCESSORIES, COMPONENTS AND THE RACK SYSTEM SHALL BE MAINTAINED FOR SAFE OPERATION OF THE EQUIPMENT WHEN INSTALLED IN ACCORDANCE WITH THE NATIONAL ELECTRIC CODE, ANSI/NFPA 70.

### TOOLS NEEDED FOR RACK ASSEMBLY:

- 5/16" AND 9/16" SOCKET TORQUE DRIVERS OR WRENCHES
- SOCKET WRENCH EXTENSION
- FLAT HEAD SCREWDRIVER
- CORNER SQUARE (RECOMMENDED)

### ALSO INCLUDED WITH THE RACKS:

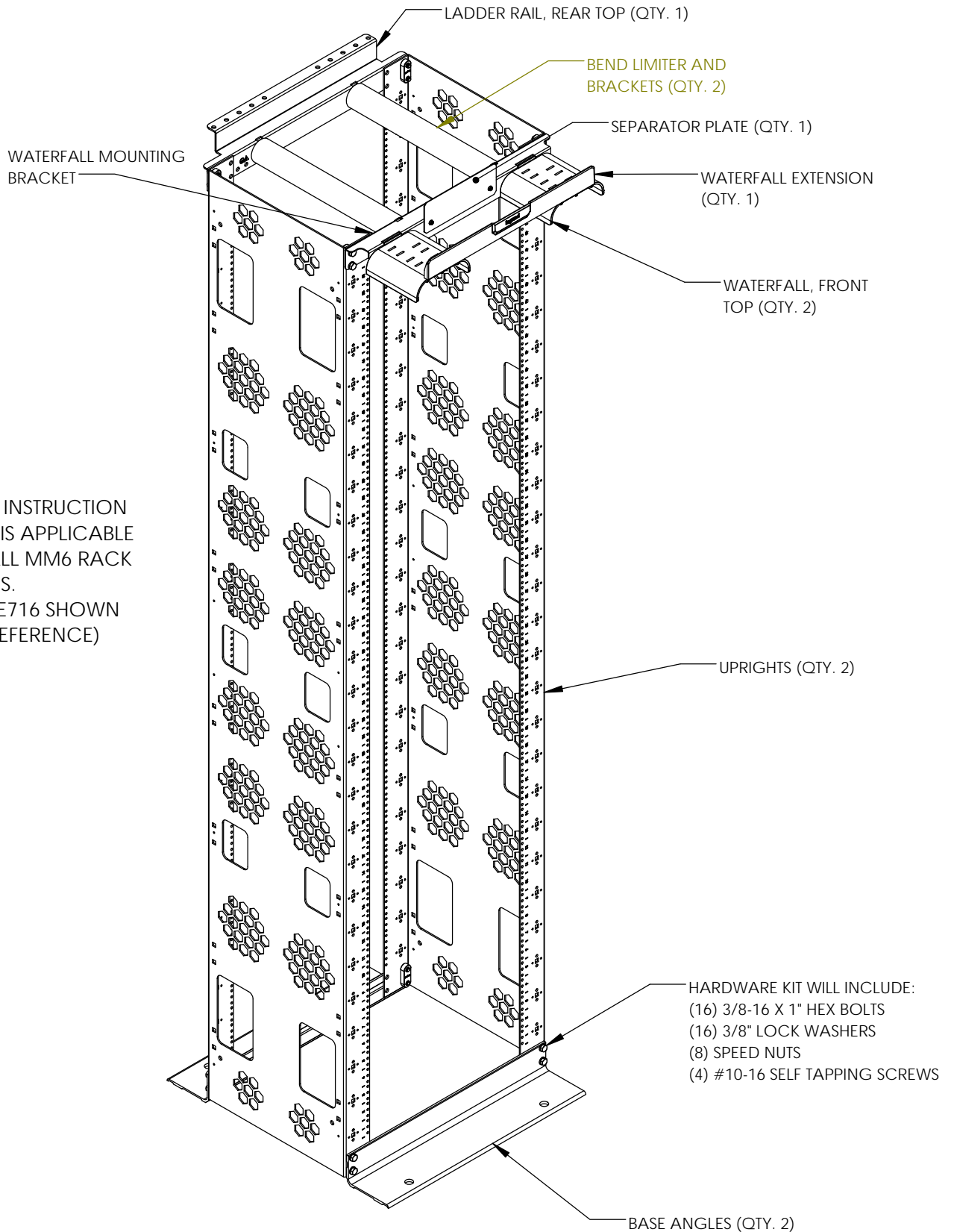
- (50) #12-24 X 5/8" EQUIPMENT MOUNTING SCREWS
- (24) 18" CABLE MANAGEMENT STRAPS

TESTED TO UL2416 WITH A WEIGHT LOAD OF 1500LBS.

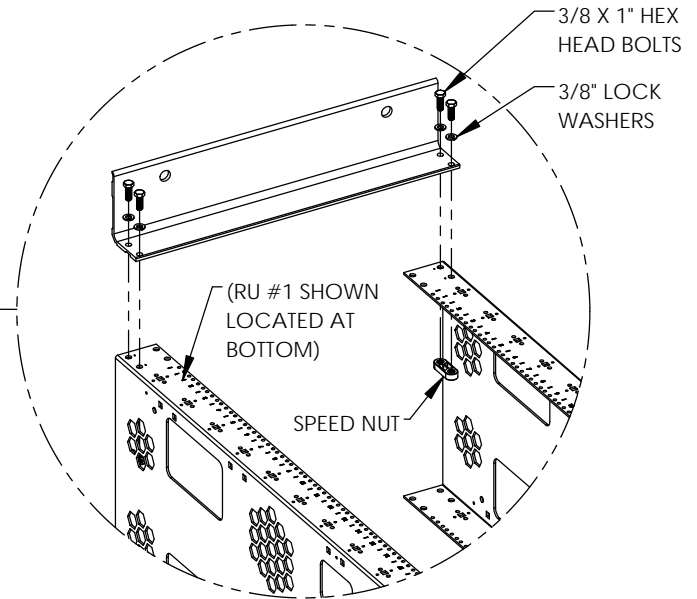
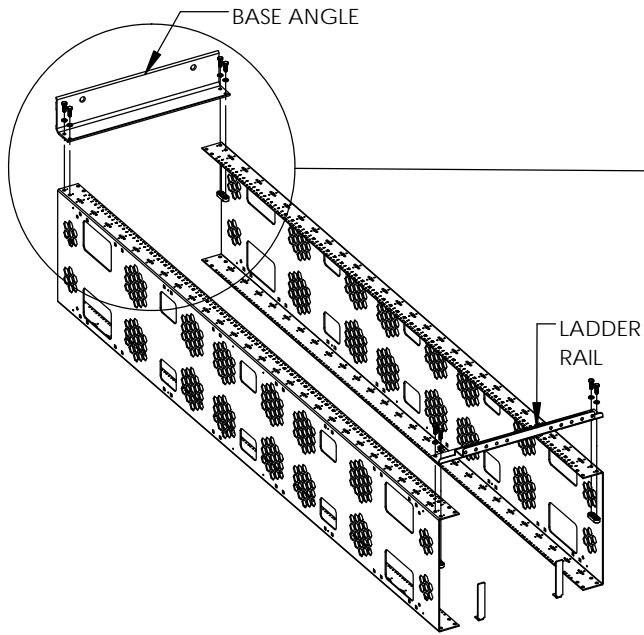
PATENT NO: D360,189

INSTRUCTION SHEET #: OR-71601928	REV: 01	ECN #: 05119	SHEET: 1 of 7	DWN BY: JPS	DATE: 1/26/2017	CHK BY: JQ	DATE: 1/27/2017	APP. BY: CV	DATE: 2/24/2017
-------------------------------------	------------	-----------------	------------------	----------------	--------------------	---------------	--------------------	----------------	--------------------

**RACK FOR 19" EQUIPMENT (AS SHOWN) TYPICAL ASSEMBLED VIEW**

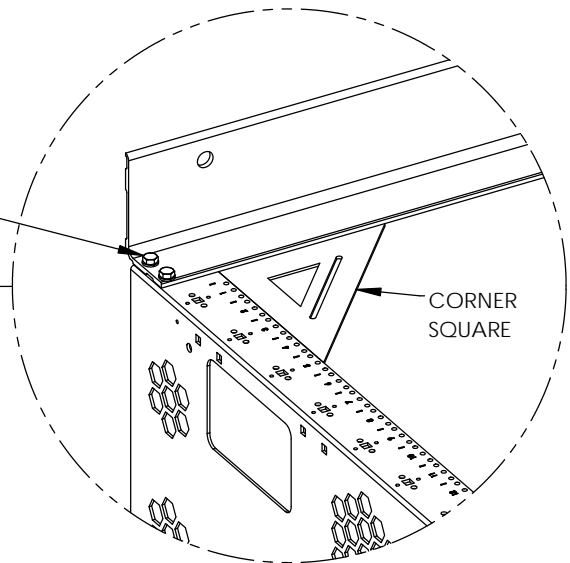
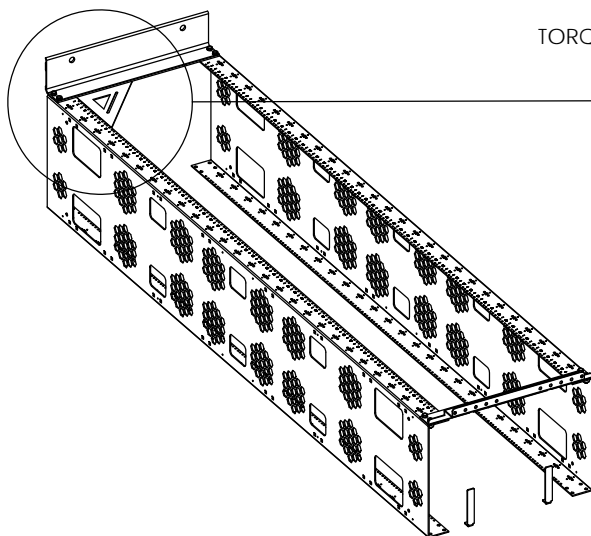


1. LAY THE UPRIGHTS ON THEIR SIDES PARALLEL TO EACH OTHER.
2. ATTACH BASE ANGLE TO UPRIGHTS WITH HARDWARE SHOWN. FINGER TIGHTEN ONLY.
3. ATTACH LADDER RAIL TO UPRIGHTS WITH HARDWARE SHOWN. FINGER TIGHTEN ONLY.



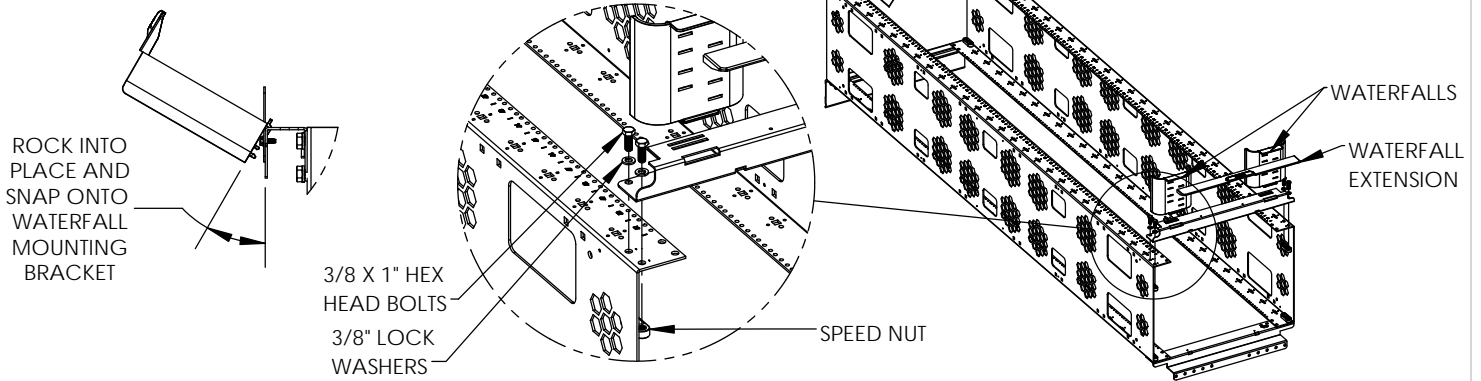
## ASSEMBLY STEP 1A

1. TO SQUARE THE RACK AND TIGHTEN THE BOLTS, HOLD THE CORNER SQUARE (RECOMMENDED) TIGHTLY AS SHOWN.
2. TORQUE THE BOLTS TO 12.5 FT-LBS.
3. REPEAT STEPS 1 & 2 IN THE THREE REMAINING CORNERS.



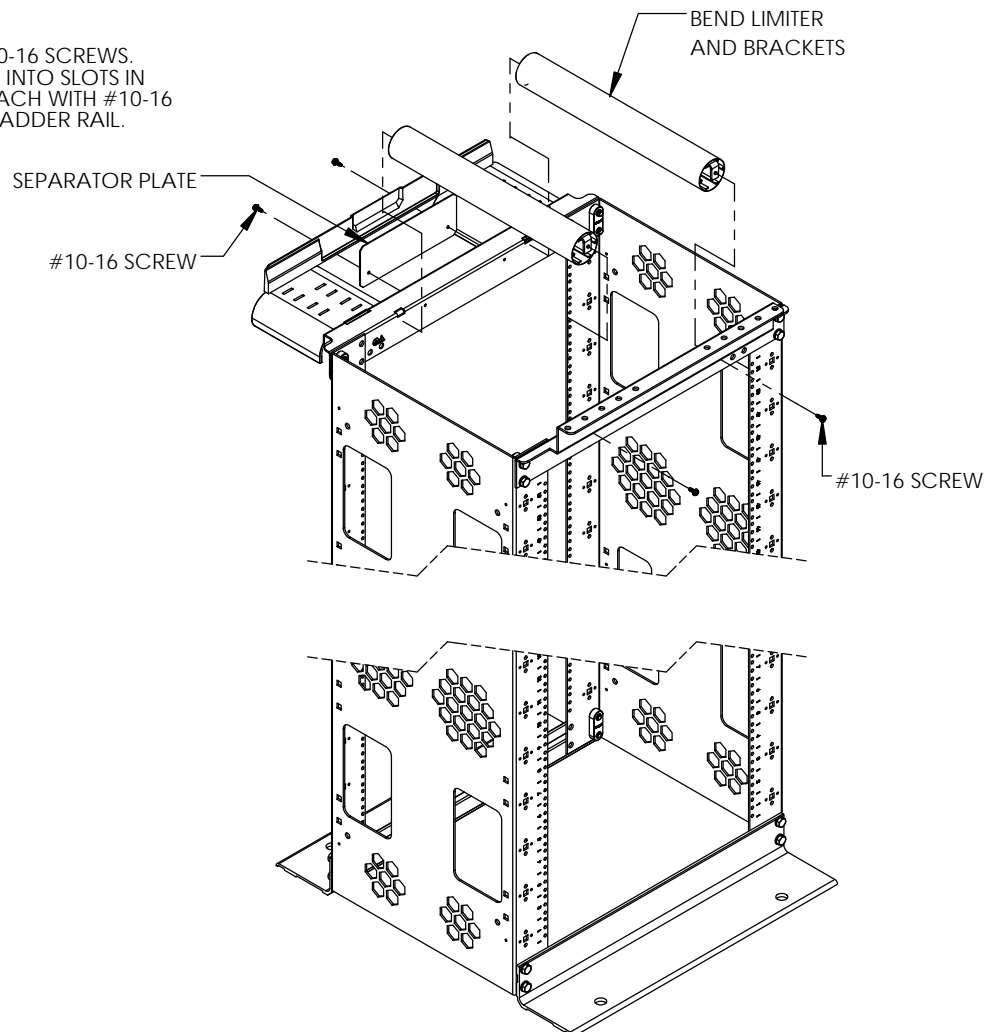
## ASSEMBLY STEP 2

1. FLIP THE RACK OVER.
2. REPEAT STEPS 1 & 1A ON THE FRONT BASE ANGLE AND TOP WATERFALL MOUNTING BRACKET USING THE SOCKET WRENCH EXTENSION WHERE NEEDED.
3. ROCK IN TWO WATERFALL PLASTIC PIECES.
4. SLIDE ON WATERFALL EXTENSION.

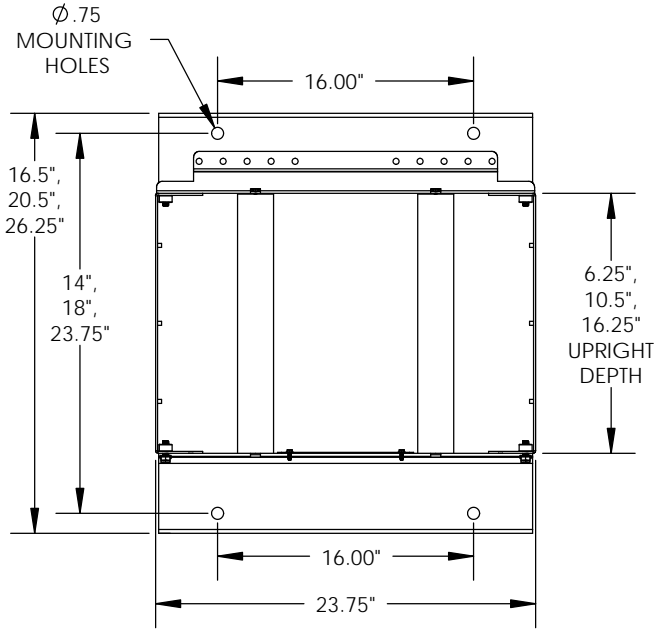


## ASSEMBLY STEP 3

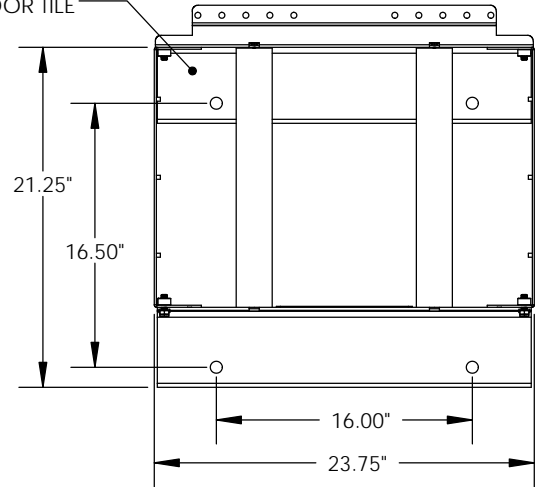
1. STAND RACK UP ON BASE ANGLES.
2. ATTACH SEPARATOR PLATE WITH #10-16 SCREWS.
3. SLIDE BEND LIMITERS AND BRACKETS INTO SLOTS IN WATERFALL AND LADDER RAIL. ATTACH WITH #10-16 SCREWS THRU THE OUTSIDE OF THE LADDER RAIL.



### FLOOR MOUNTING OPTIONS



16.25" RACK BASE CAN BE TURNED INWARDS (AS SHOWN) TO FIT ON A 24" FLOOR TILE



NOTE: AREAS CALLED OUT WITH MULTIPLE DIMENSIONS SHOW THE OVERALL DEPTHS WITH DIFFERENT UPRIGHTS INSTALLED.

SINGLE RACK LAYOUT

NOTE: 16.25" RACKS CAN HAVE ONE BASE ANGLE TURNED INWARDS IF A SMALLER FOOTPRINT IS NEEDED.

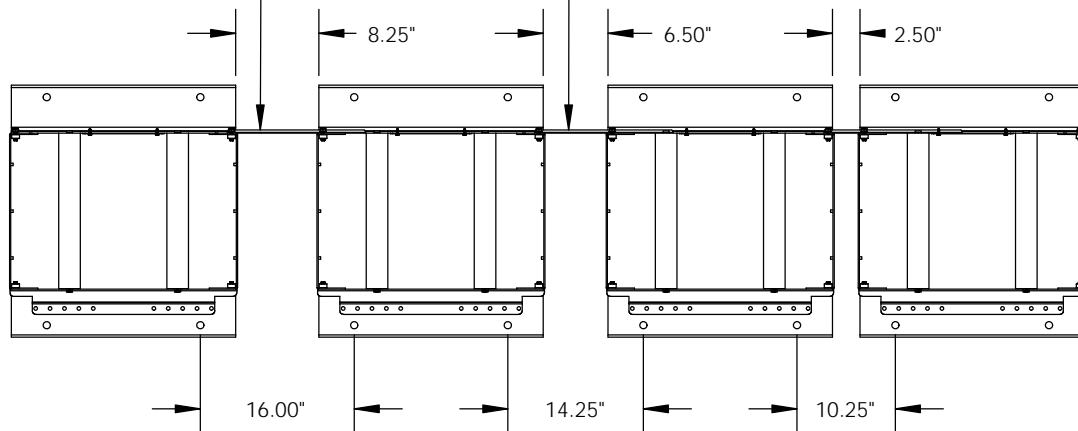
BASE ANGLES TURNED INWARD

### MULTIPLE RACK CONFIGURATIONS

MULTIPLE RACK SPACER, 3 PROVIDED WITH EACH RACK

ALIGN SLOTS DEPENDING ON CAGE WIDTH

LOCATE AT BOTTOM AND TOP OF RACK BEFORE SECURING RACK TO FLOOR



RACK LAYOUT FOR 12" CAGE

RACK LAYOUT FOR 10" CAGE

RACK LAYOUT FOR 6" CAGE

## IMPORTANT SAFETY INSTRUCTIONS

### INSTRUCTIONS DE SECURITE IMPORTANTES

PROPER INSTALLATION OF AN EQUIPMENT GROUNDING TERMINAL MUST BE MADE AND THE RACK MUST BE GROUNDED IN ACCORDANCE WITH NFPA 70, "NATIONAL ELECTRICAL CODE," AND THE APPLICABLE SECTIONS OF ANSI C2, "NATIONAL ELECTRICAL SAFETY CODE," OR EQUIVALENT.

UNE INSTALLATION ADÉQUATE DE LA BORNE DE TERRE D'ÉQUIPEMENT EST NÉCESSAIRE ET LA BAIE INFORMATIQUE DOIT ÊTRE CONNECTÉE À LA TERRE EN ACCORD AVEC NFPA 70 "CODE ELECTRIQUE NATIONAL" ET SELON DES SECTIONS EN VIGUEUR DE L'ANSI C2, "CODE DE SECURITE ELECTRIQUE NATIONAL" OU ÉQUIVALENT.

RACK(S) MUST BE SECURED TO THE FLOOR, USE 3/4" DIAMETER HOLES PROVIDED IN THE BASE ANGLES. THE INSTALLER SHOULD PROVIDE MOUNTING HARDWARE TO SECURE RACKS TO FLOOR FOLLOWING LOCAL AND STATE CODES. THE SMALLEST BOLT SIZE ALLOWED IS A Ø 5/8" GRADE 8.

L'ARMOIRE DOIT ÊTRE FIXÉE SUR LE PLANCHER, UTILISER LES TROUS DE 3/4" (1.905CM) DE DIAMÈTRE PREVUS A CET EFFET SUR LES ANGLES DE BASE. L'INSTALLATEUR DEVRAIT FOURNIR LE MATÉRIEL POUR FIXER LES ARMOIRES AU PLANCHER EN RESPECTANT LA RELGEMENTATION LOCALE. LA TAILLE DU BOULON LA PLUS PETITE PERMISE EST DE 5/8" (1.587CM) DE CATÉGORIE 8.

LOAD HEAVY EQUIPMENT AT THE BOTTOM OF THE RACK FIRST. TO MAINTAIN RACK STABILITY, LOAD 1/2 OF THE TOTAL EQUIPMENT WEIGHT IN THE BOTTOM 1/3 OF THE RACK. THEN LOAD 1/4 OF THE EQUIPMENT WEIGHT IN THE MIDDLE 1/3. FINALLY, LOAD 1/4 OF THE EQUIPMENT WEIGHT IN THE TOP 1/3. DO NOT EXCEED MAXIMUM LOAD CAPACITY

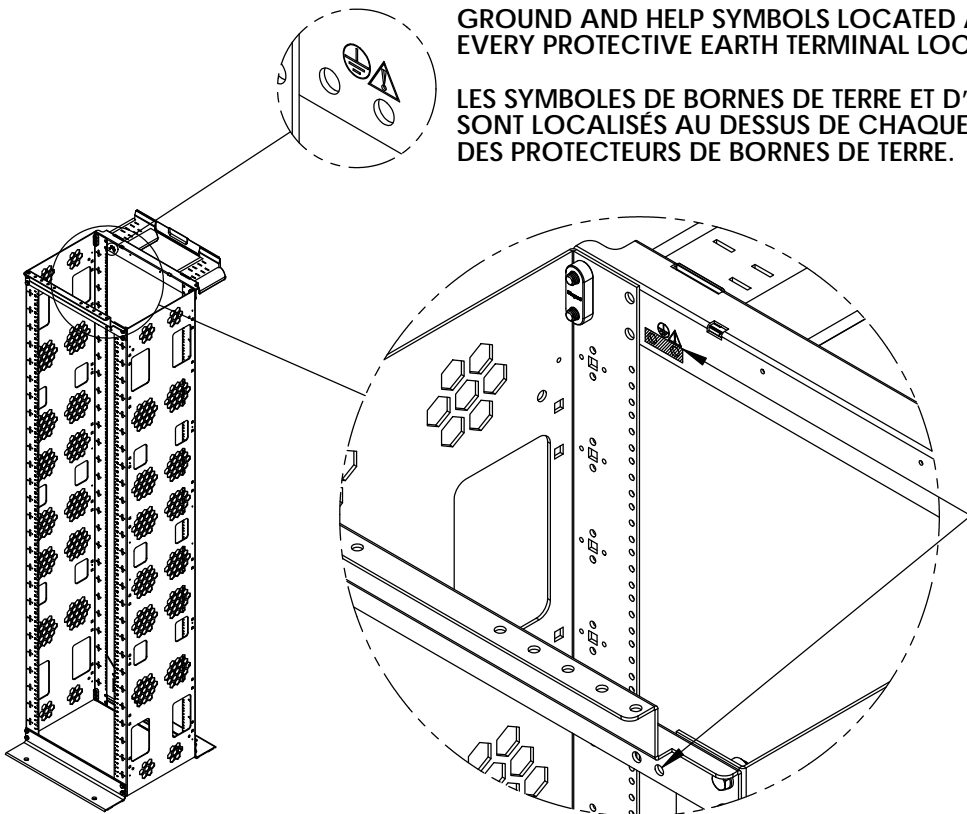
CHARGER EN PREMIER L'ÉQUIPEMENT LOURD AU FOND DE L'ARMOIRE. AFIN DE MAINTENIR LA STABILITÉ DE L'ARMOIRE, CHARGER ½ DE LA CHARGE TOTALE DE L'ÉQUIPEMENT DANS LE TIER DU BAS DE L'ARMOIRE. PUIS CHARGER ¼ DE LA CHARGE DE L'ÉQUIPEMENT DANS LE TIER DU MILIEU, CHARGER ¼ DE LA CHARGE DE L'ÉQUIPEMENT DANS LE TIER DU HAUT. NE PAS EXCEDER LA CHARGE MAXIMUM PERMISE.

GROUND AND HELP SYMBOLS LOCATED ABOVE EVERY PROTECTIVE EARTH TERMINAL LOCATION

LES SYMBOLES DE BORNES DE TERRE ET D'ASSISTANCE SONT LOCALISÉS AU DESSUS DE CHAQUE EMPLACEMENT DES PROTECTEURS DE BORNES DE TERRE.

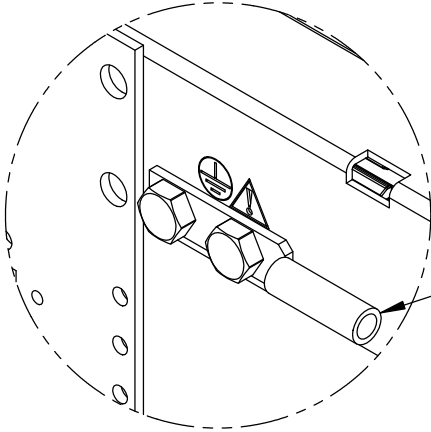
PROTECTIVE EARTH TERMINAL LOCATIONS ARE PROVIDED ON THE INSIDE OF THE RACK BY MASKED OFF AREAS ON THE BACK SIDE OF THE WATERFALL AND TOP REAR BRACKET. 3/8" DIAMETER HOLES, 1" APART ARE PROVIDED TO ATTACH GROUNDING LUGS (SOLD SEPARATELY).

LES EMBLACEMENTS DES PROTECTEURS DE BORNES DE TERRE SONT PRÉVUS À L'INTÉRIEUR DE LA BAIE EN MASQUANT UNE PARTIE DU CÔTÉ INTÉRIEUR DE LA CASCADE ET DU SUPPORT ARRIÈRE SUPÉRIEUR. DES TROUS DE DIAMÈTRE 3/8" (0.9525 CM), ÉCARTÉS DE 1" (2.45 CM) SONT PRÉVUS POUR ATTACHER DES PATTES DE MISE A TERRE (VENDU SÉPAREMENT)



**LUG STYLES**

**STYLES DE PATTES**

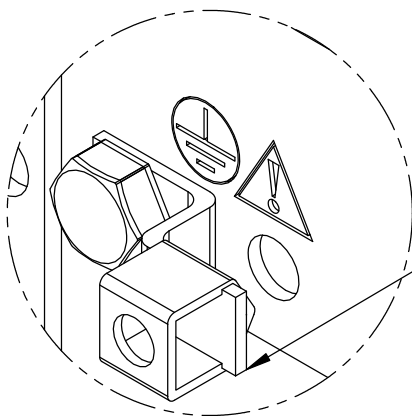


COMPRESSION STYLE LUGS THAT ACCEPT 3/8" MOUNTING HOLES AT 1" SPACING. LEGRAND SERIES OF PART #'s: OR-CL2LB OR EQUIV., MFG BY HARGER PART# GECLB22A (MIN. BOLT TORQUE: 10 FT-LBS)

DES PATTES DE STYLE COMPRESSION QUI ACCÈPTENT DES TROUS DE MONTAGE 3/8" (0.9525 CM) ÉCARTÉS DE 1" (2.54 CM). SÉRIE DE NUMÉRO PRODUIT LEGRAND: OR-CL2LB OU ÉQUIVALENT, FABRIQUÉ PAR HARGER SÉRIE DE NUMÉRO GECLB22A (COUPLE DE BOULON MIN.: 10 FT-LBS (13.5 N m))

**BONDING - CAUTION:** THE FOLLOWING PARTS ARE NOT EFFECTIVELY BONDED TO THE PROTECTIVE EARTH TERMINAL: LEVER LOCK, BLANKING PANELS, CABLE MANAGEMENT. IF ANY PARTS NEEDS TO BE BONDED TO THE PROTECTIVE EARTH TERMINAL IT SHALL BE DONE IN ACCORDANCE WITH ARTICLE 250 OF THE NATIONAL CODE.

**LIAISONNEMENT ET MISE A LA TERRE - AVERTISSEMENT:** LES PIECES SUIVANTES NE SONT PAS PROPREMENT RACCORDE AU TERMINAL DE LA TERRE DE PROTECTION: LEVIER DE VEROUILLAGE, LES PANNEAUX PLEINS ET LA GESTION DES CABLES. SI UNE PIECE DOIT ETRE RACCORDEE AU TERMINAL DE LA TERRE DE PROTECTION, CELA DOIT ETRE FAIT CONFORMEMENT A L'ARTICLE 250 DU CODE NATIONAL.



OFFSET STYLE LUGS THAT ACCEPT 1/4" MOUNTING HOLES. LEGRAND SERIES OF PART #'s: OR-COTL28 OR EQUIV., MFG BY HARGER PART# GEOL3 (COPPER) OR MFG BY BURNDY PART# KA2U (ALUMINUM) (MIN. BOLT TORQUE: 10 FT-LBS)

DES PATTES DE STYLE OFFSET QUI ACCÈPTENT DES TROUS DE MONTAGE 1/4" (0.635 CM). SÉRIE DE NUMÉRO PRODUIT LEGRAND: OR-COTL28 OU ÉQUIVALENT, FABRIQUÉ PAR HARGER SÉRIE DE NUMÉRO GEOL3 (CUIVRE) OU FABRIQUÉ PAR BURNDY SÉRIE DE NUMÉRO KA2U (EN ALUMINIUM) (COUPLE DE BOULON MIN.: 10 FT-LBS (13.5 N m))