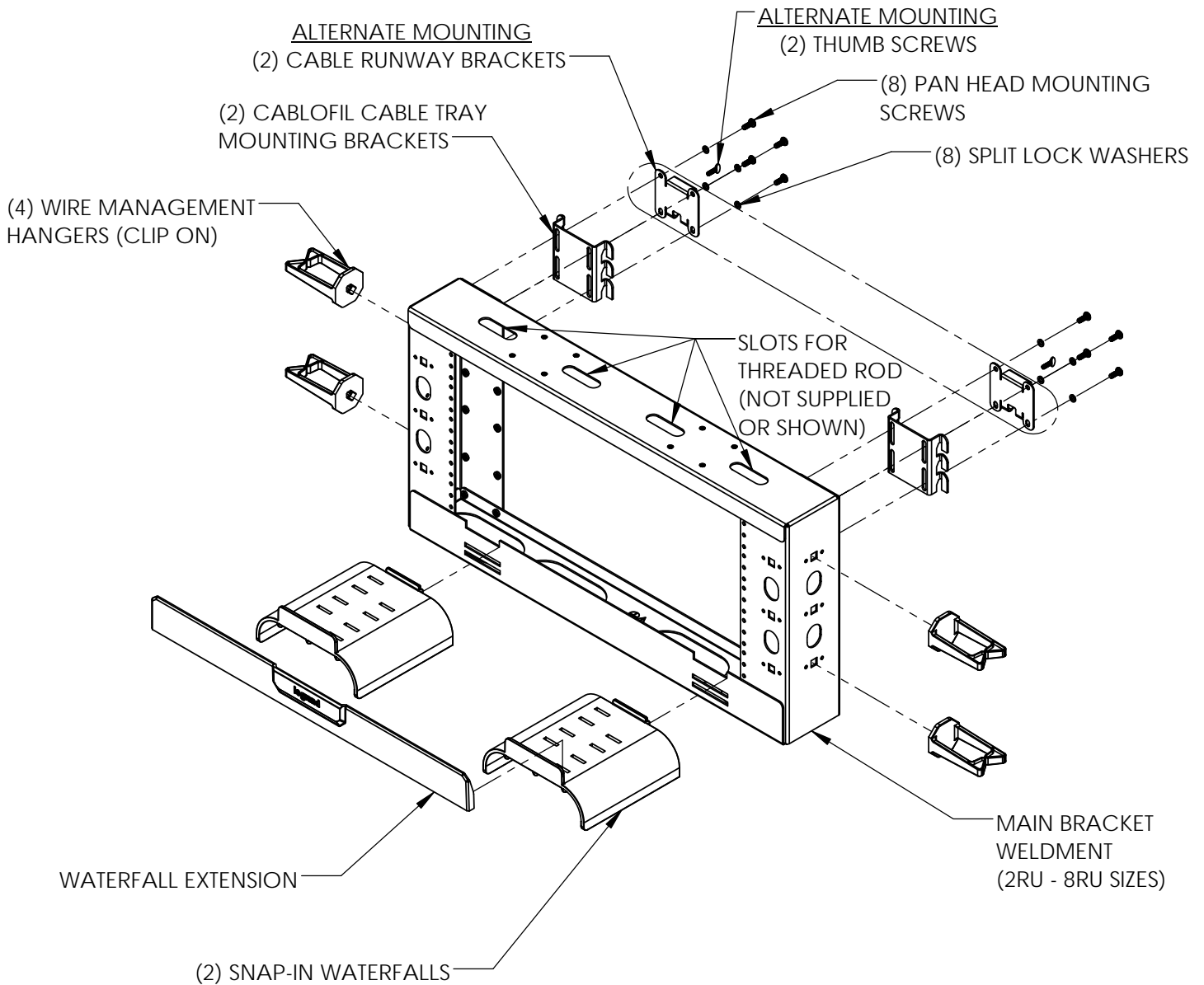


PARTS LIST SHOWN BELOW IS TYPICAL FOR VARIOUS HEIGHT OVER HEAD RACK SYSTEMS



NOTES:

1. MAXIMUM MOUNTED OVERHEAD RACK LOAD SHALL NOT EXCEED 50 LBS.
2. SEE SHEET 2 FOR MOUNTING OPTIONS TO RUNWAYS AND CABLE TRAYS.

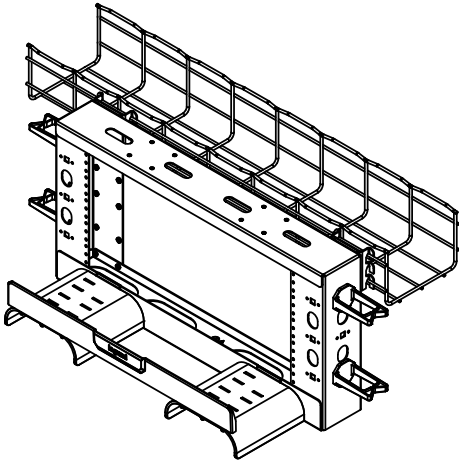
INSTRUCTION SHEET #: OR-71601926	REV: 00	ECN #:	SHEET: 1 of 4	DWN BY: JS	DATE: 2/6/2017	CHK BY: JQ	DATE: 2/14/2017	APP. BY:	DATE:
-------------------------------------	------------	--------	------------------	---------------	-------------------	---------------	--------------------	----------	-------

STEP 1

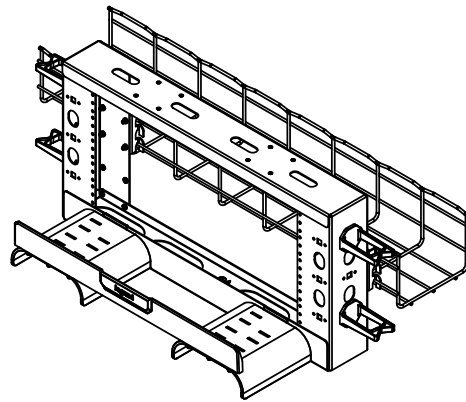
DETERMINE IF THE MOUNTING EQUIPMENT WILL MOUNT TO EITHER A CABLE RUNWAY, A CABLE TRAY OR CEILING MOUNT (THREADED ROD OR HANGERS NOT SUPPLIED).

STEP 2

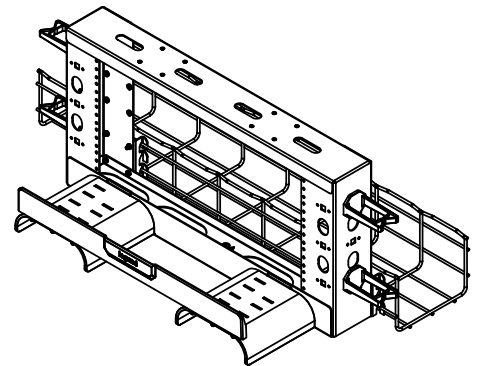
DETERMINE THE MOUNTING POSITION OF THE UNIT. OPTIONS ARE: REAR TOP, REAR MIDDLE, REAR BOTTOM, UNDERNEATH PARALLEL* OR UNDERNEATH PERPENDICULAR* (CABLOFIL MOUNTING ONLY - SPECIFIED WITH *)



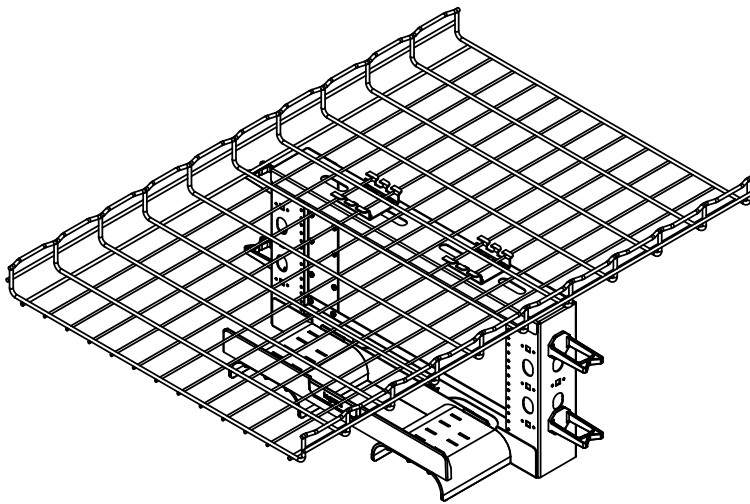
REAR TOP MOUNT



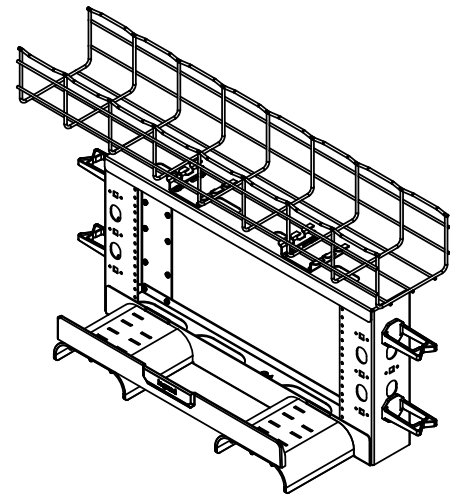
REAR MIDDLE MOUNT



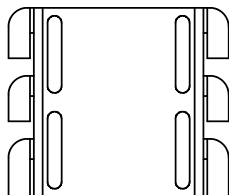
REAR BOTTOM MOUNT



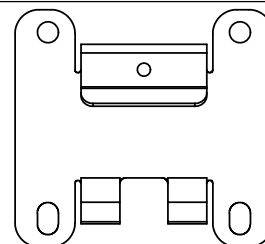
UNDERNEATH PERPENDICULAR



UNDERNEATH PARALLEL



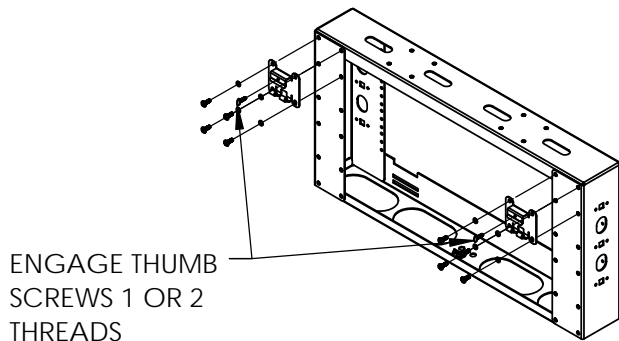
CABLE TRAY BRACKET



CABLE RUNWAY BRACKET

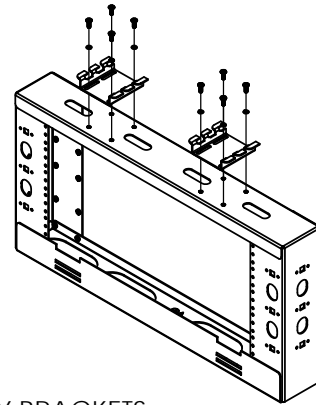
STEP 3

ONCE THE MOUNTING BRACKET TYPE AND LOCATION IS DETERMINED, MOUNT TWO BRACKETS IN THE SAME LOCATION USING (8) SPLIT LOCK WASHERS AND (8) PAN HEAD SCREWS.



ENGAGE THUMB SCREWS 1 OR 2 THREADS

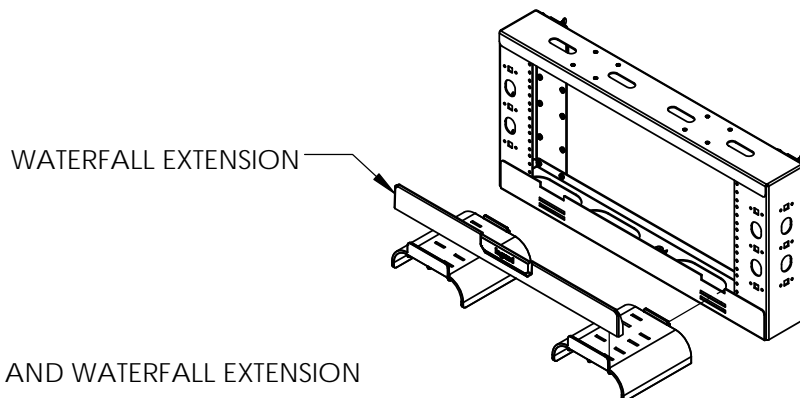
CABLE RUNWAY BRACKETS



CABLE TRAY BRACKETS

STEP 4

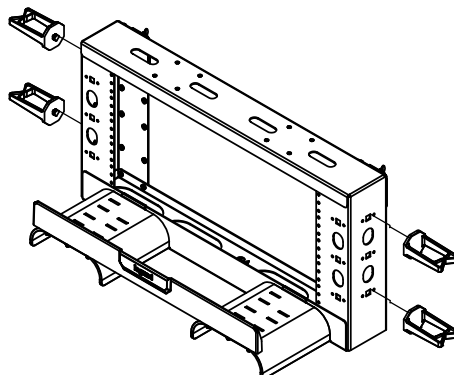
AFTER THE MOUNTING BRACKETS ARE INSTALLED, TURN OVER THE OVERHEAD RACK AND INSTALL THE TWO WATERFALLS BY ROCKING THEM INTO PLACE AND SNAPPING THEM INTO THE WATERFALL BRACKET. SLIDE ON THE WATERFALL EXTENSION.



WATERFALL BRACKETS AND WATERFALL EXTENSION

STEP 5

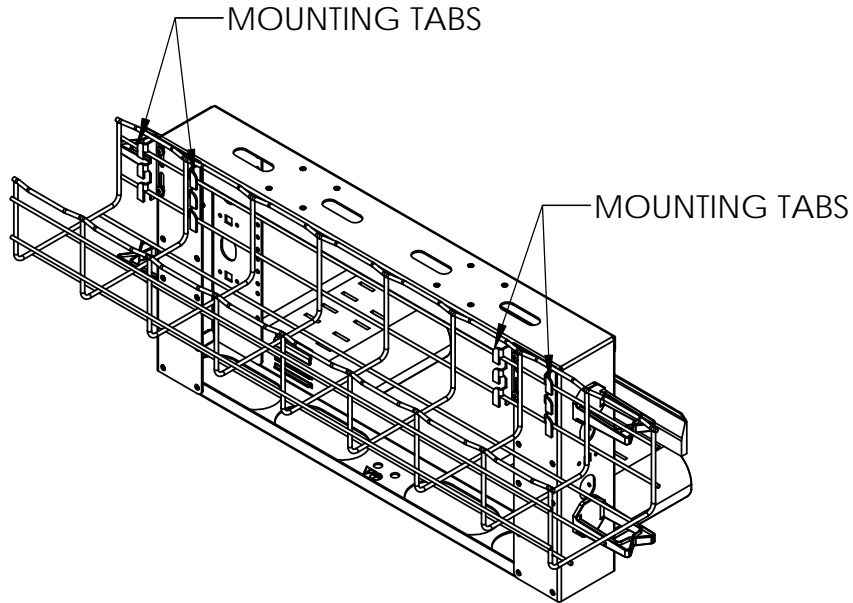
DETERMINE WHERE CABLE MANAGEMENT HANGERS WILL BE REQUIRED AND ATTACH BY ALIGNING THE SQUARE PLUG WITH THE SQUARE HOLE AND ROTATE THE BRACKET 90 DEGREES (CAN BE FACE MOUNTED OR SIDE MOUNTED).



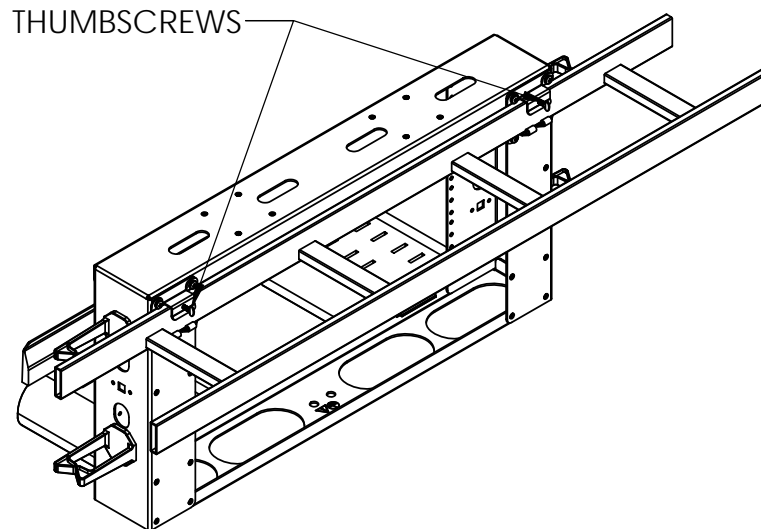
CABLE MANAGEMENT HANGERS (SHOWN SIDE MOUNTED)

STEP 6

HANG COMPLETED OVERHEAD RACK ASSEMBLY ON THE CABLE RUNWAY OR CABLE TRAY WHERE REQUIRED.



FOR CABLE TRAYS,
BEND MOUNTING TABS
INWARD TO SECURE



FOR CABLE RUNWAYS,
TIGHTEN THUMBSCREWS
ON MOUNTING BRACKETS
TO SECURE

INSTALLATION IS NOW COMPLETE.

INSTRUCTION SHEET #: OR-71601926	REV: 00	ECN #:	SHEET: 4 of 4	DWN BY: JS	DATE: 2/6/2017	CHK BY: JQ	DATE: 2/14/2017	APP. BY:	DATE:
-------------------------------------	------------	--------	------------------	---------------	-------------------	---------------	--------------------	----------	-------